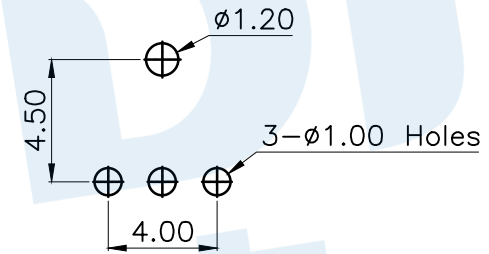
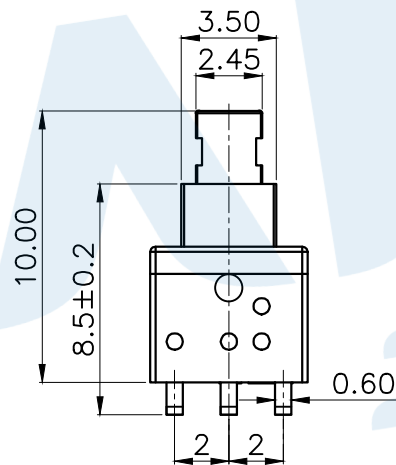
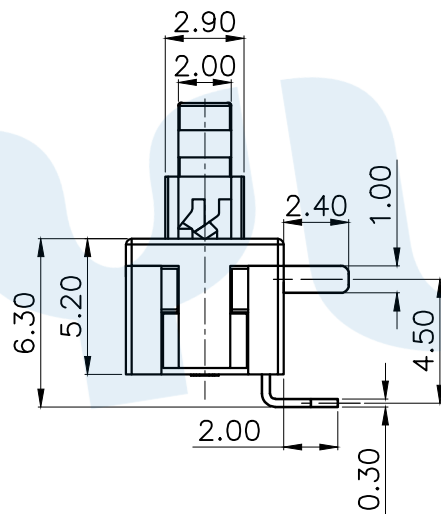
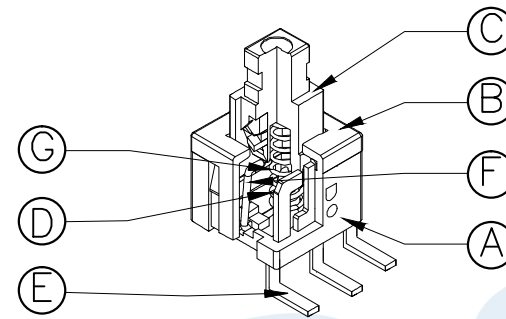
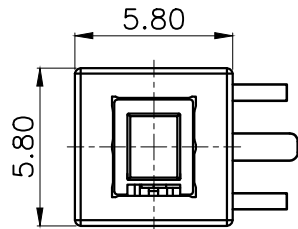
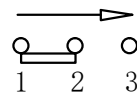
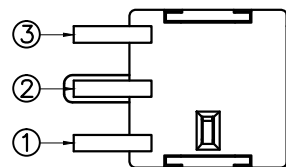


RoHS



PCB Layout(Pattern Side)



Circuit Diagram

NO.	Operating Type	Part No.	Operating force	Travel
1	Push To Lock	TK-6580-1	180±50gf	2.0±0.2
2	Push No Sound No Lock	TK-6580-2	180±50gf	2.0±0.2

Ⓒ	Spring		1	SUS	Natural
Ⓕ	Crochet Needle		1	SUS	Natural
Ⓔ	Terminal		6	Brass	Silvering
Ⓓ	Reed		2	Phosphorus Copper	Silvering
Ⓒ	Button		1	Nylon	White
Ⓑ	Cover		1	Nylon	Black
Ⓐ	Base		1	Nylon	Gray
NO.	Name	Number	Qty	Materil	Remarks

**YUANDI**® Yuandi Electronics Co, Ltd

design	date	name	BUTTON SWITCH
Review	date		
Approved	date	name	

Drawing number: TK-6580B-□

modify Review Approved Tolerance not specified Proportion 1:1 unit mm gage number A4