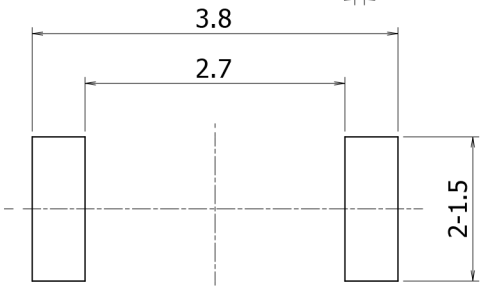
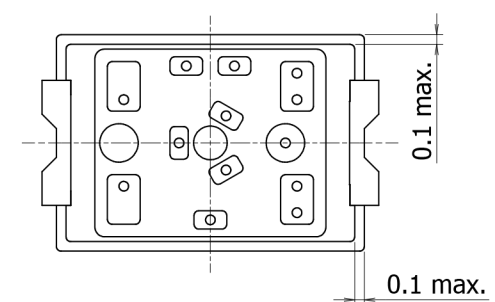
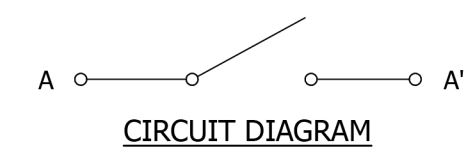
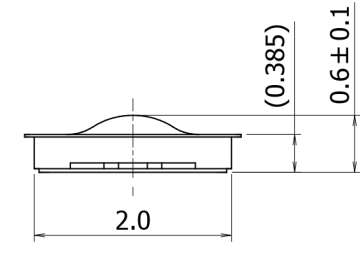
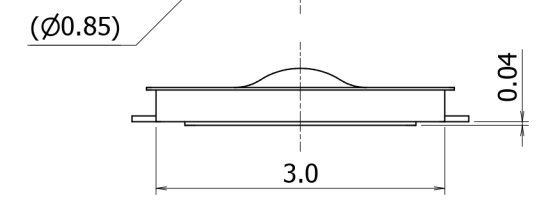
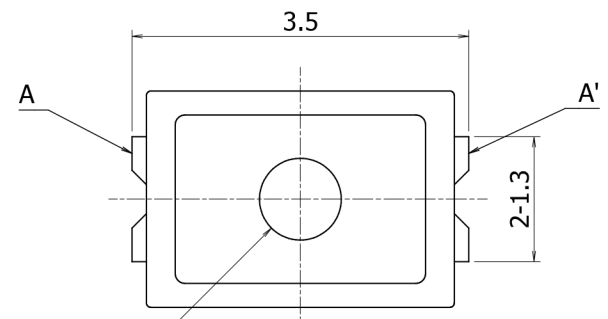


RevNO.	Revision note	Date	Signature



**PCB SOLDER LAND DIMENSIONS**

**NOTE**

1. RATING : DC15V 20mA
2. CONTACT RESISTANCE : 500mΩ max.
3. TRAVEL : 0.13±0.05mm
4. GENERAL TOLERANCE : ±0.3
5. MANUFACTURING SPECIFICATION WOULD BE ACCORDANCE

YTS-3020-100		100±50gf	300,000	BLACK	
YTS-3020-160		160±50gf	500,000	BLACK	
YTS-3020-200		200±50gf	300,000	BLACK	
YTS-3020-240		240±70gf	500,000	BLACK	
YTS-3020-330		330±70gf	300,000	BLACK	
Model name	Code no	O/Force	Life cycles	T/Case color	Remarks

Designed by	B.SAGONG	东莞市博众电气有限公司 DONGGUAN BOZHONG ELECTRIC CO., LTD						
Checked by								
Approved by	H.W.YUN	Unit	mm	Scale	18/1	Date	2015.05.12	
Item	TACTILE S/W		Tool	In	Sheet	1	Rev.	0
Model	3020 SERIES		Drawing name					ASS'Y DIAGRAM