

MAPX	MODIFICATION	DATE

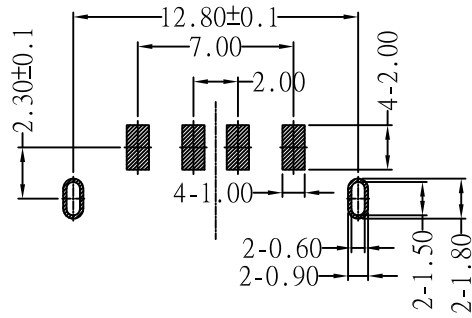
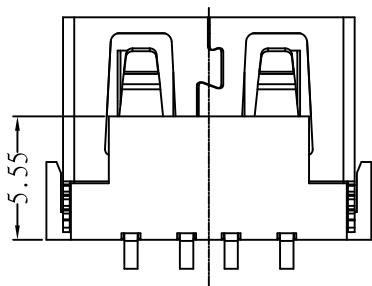
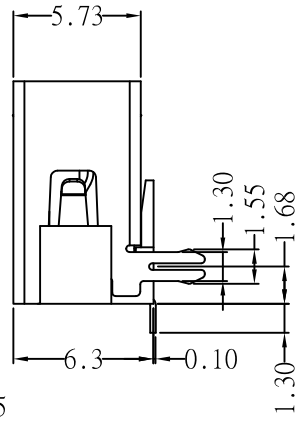
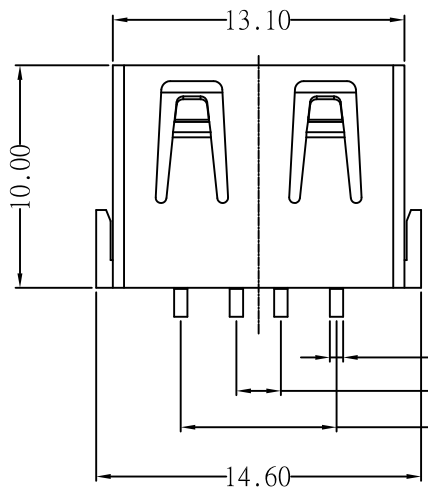
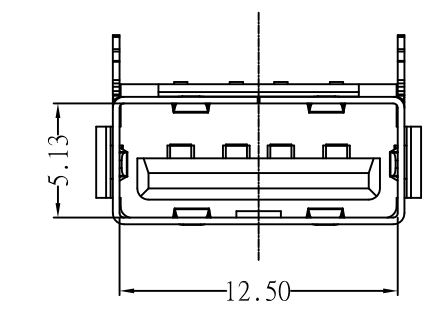
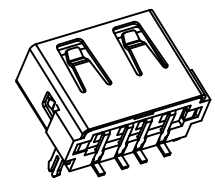
**Specification:**

**1. Electrical Characteristics:**  
 Dielectric Withstanding Voltage: AC 500V/1MINUTE.  
 Insulation Resistance: 1000 MΩMin.  
 Contact Resistance: 30 mΩ Max.

**2. Mechanical Characteristics:**  
 INSERTION FORCE: 30N(3.06Kgf) MAX  
 EXTRACTION FORCE: 10~30N(1.02~3.06Kgf)  
 Durability:1500cycles.EXTRACTION FORCE:10~30N(1.02~3.06Kgf)

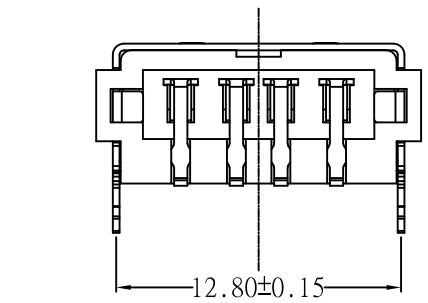
**3. Material:**  
 Terminal: C5191/C2680R-EH T=0.25  
 Plating: Gold 0.76 um Min plating over 1.27 um Min Nickel underplate, 2.54 um Min Sn selective plating on solder tail;  
 Shell: Bronze, SPCC,H =0.30mm  
 Plating: Nickel underplate 2.54 um Min;  
 Housing: PBT PA9T LCP Black White

**4. Environmental:**  
 Operating Temperature: 0°C to +85°C.



908-X X X A X XX X X X XX

- 01/02=1U 04=3U 07=15U 08=30U
- 1=氟铜 2=磷铜
- D=90度 Y=180度 S=贴板
- 1=A款6.3 2=A款6.8,
- 01=白色 02=黑色
- 1=PBT 2=LCP 3=PA9T
- A=正向
- 1=铁壳24H 2=铜壳24H
- 5=有边 6=无边 7=有边有缺口
- 1=前两脚 2=后两脚 3=四脚



**RECOMMENDED P.C.B LAYOUT**

产品图 PRODUCT CHART DWG		深圳市精拓金电子有限公司							
公差一览表 TOLERANCE UNLESS OTHERWISE		单位 UNITS	MM	制图 DRAWING	YANG	制图料号 PRODUCT PART NO.	908-261A2021S10100		
X.	±0.30	X.	±5.°	比例 SCALE	1:1	审核 CHKD	郭志富	产品名称 PRODUCT NAME	AF10.0A款后两脚无边铁壳LCP黑胶6.3SMT
.X	±0.25	.X	±2.°	日期 DATE	2019.11.23	核准 APPD	黄国荣	角法 VIEW	版本 VER
.XX	±0.15	.XX	±1.°						AD
.XXX	±0.10	.XXX	±0.5°						