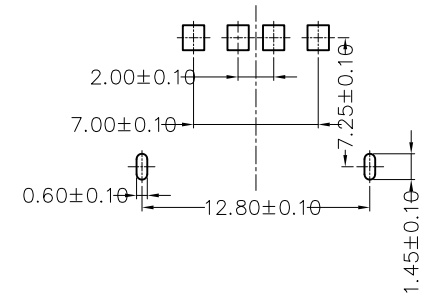
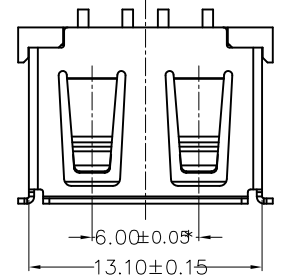
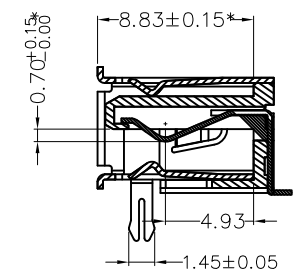


MAPX	MODIFICATION	DATE
------	--------------	------

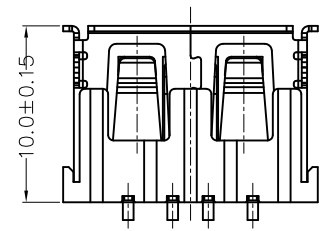
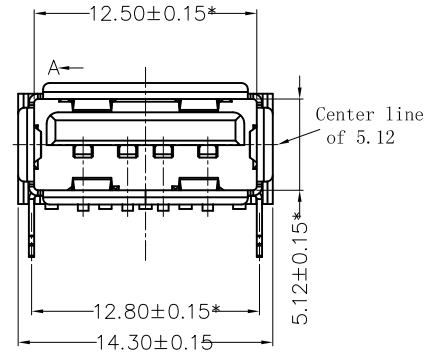
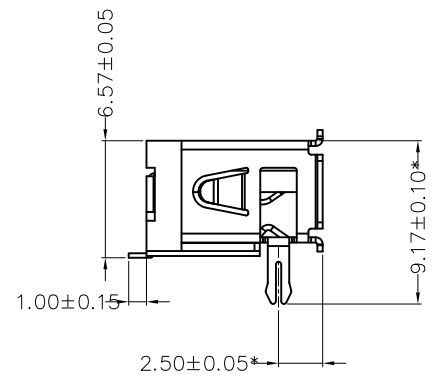
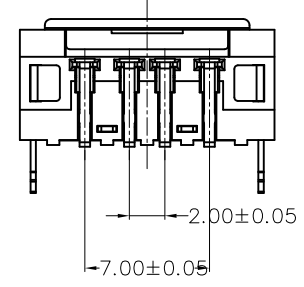
- NOTES:
- HOUSING: SEE NOTES.
 - TERMINAL: SEE NOTES.
 - SHELL: SEE NOTES.
- SPECIFICATION:
- ELECTRICAL CHARACTERISTIC:
 - CONTACT RESISTANCE: 30MΩ MAX
 - DIELECTRIC WITHSTANDING VOLTAGE: 500V AC FOR 1MIN
 - INSULATION RESISTANCE: 1000MΩ MIN
 - MECHANICAL CHARACTERISTIC:
 - INSERTION FORCE: 35N(3.57KGF) MAX
 - EXTRACTION FORCE: 10~35N(1.02~3.57KGF)MIN
 - DURABILITY: 1500 CYCLES EXTRACTION FORCE:10~35N
3000 CYCLES MIN
 - 5000 CYCLES EXTRACTION FORCE:3~35N
 - ENVIRONMENTAL:
 - OPERATING TEMPERATURE: -55°C+85°C
 - Contact finish:
 - 01:Selective Gold Flash
 - 02:Selective Gold 3U"
 - 03:Selective Gold 5U"
 - 04:Selective Gold 15U"
 - 05:Selective Gold 30U"



FRONT EDGE OF CONNECTOR
PCB LAYOUT



SECTION A-A



产品图 PRODUCT CHART DWG				深圳市精拓金电子有限公司						
公差一览表 TOLERANCE UNLESS OTHERWISE				单位 UNITS	MM	制图 DRAWING	Z-Y-B	制图料号 PRODUCT PART NO.	910-151A2022S10100	
X.	±0.25	X.	±5.	比例 SCALE	1:1	审核 CHKD		产品名称 PRODUCT NO.	AF10.0C款前两脚有边铁壳LCP黑胶6.5SMT	
.X	±0.20	.X	±2.	日期 DATE	2012.06.15	核准 APPD		角法 VIEW	版本 VER	A0
.XX	±0.15	.XX	±1.							
.XXX	±0.10	.XXX	±0.5.							