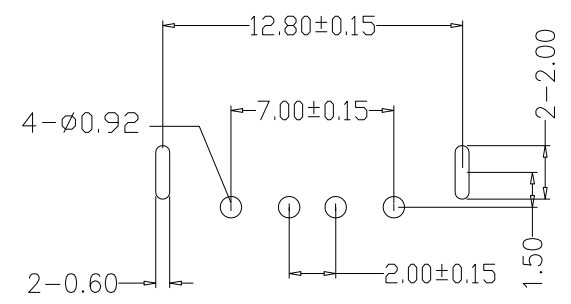
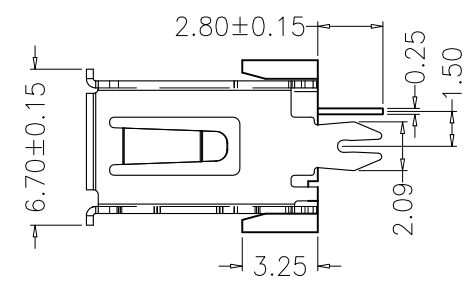
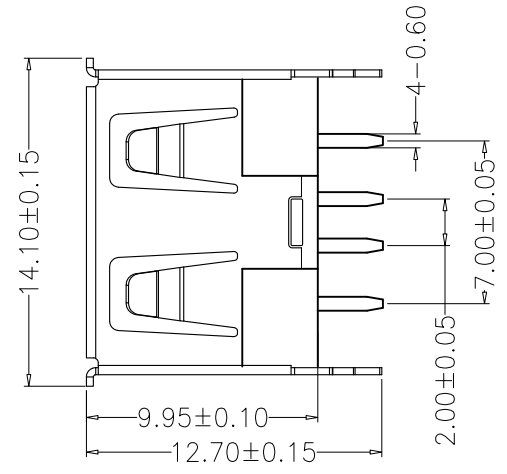
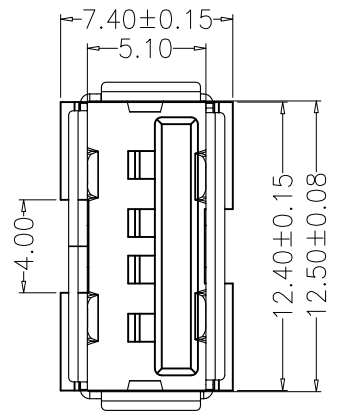


目錄 MAPX	設變內容 MODIFICATION	日期 DATE

NOTES:  
Housing: Thermoplastics,UL94V-0  
Contact: Copper Alloy  
Shell: Copper Alloy/Steel  
Voltage Current Rating:1.5 AMP. 30V AC  
Insulation Resistance:1000MΩ Min.  
Contact Resistance: 30 MΩ Max.  
Dielectric Withstanding Voltage:500W AC  
Temperature Range:-35°C to +85°C  
Insulator color: Black/White  
Plastic material:PBT/LCP/Others  
Shell finish:Nickel plated/Tin-Lead plated  
Mechanical:  
Mating Force: 3.5KG MAX  
Unmating Force: 0.7 KG MIN.  
Contact finish:  
01: Selective Gold Flash  
02: Selective Gold 3U"  
03: Selective Gold 5U"  
04: Selective Gold 15U"  
05: Selective Gold 30U"



产品图 PRODUCT CHART DWG				深圳市精拓金电子有限公司							
公差一览表 TOLERANCE UNLESS OTHERWISE				单位 UNITS	MM	制图 DRAWING	Z-Y-B	产品料号 PRODUCT PART NO.	916-351A1024Y10200		
X	±0.25	X'	±5'	比例 SCALE	1:1	审核 CHKD	雷永键	产品名称 PRODUCT NO.	AF10.0短体180度鱼叉脚有边铁壳PBT黑胶		
.X	±0.20	.X'	±2'					角法 VIEW	⊕ ⊖	版本 VER	40
.XX	±0.15	.XX'	±1'					日期 DATE	2013.05.10	核准 APPD	雷永键
.XXX	±0.10	.XXX'	±0.5'								