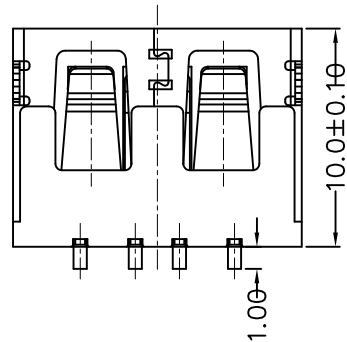
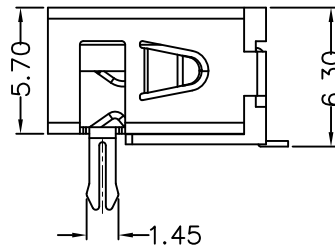
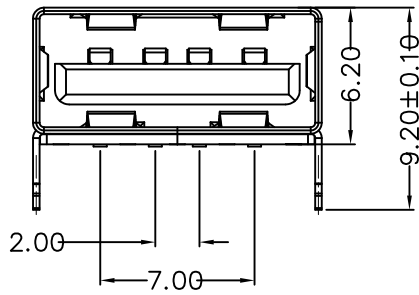
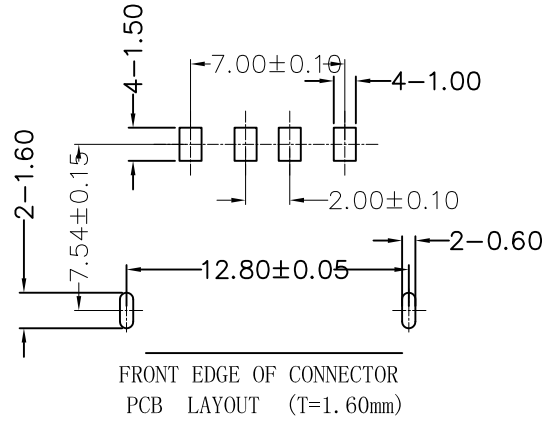
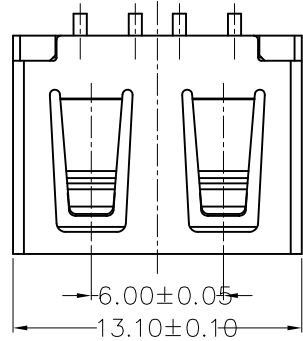


C款, 反向10.0前两脚, SMT-*6.20

MAPX	MODIFICATION	DATE



NOTES:

- 1. HOUSING: SEE NOTES,
- TERMINAL: SEE NOTES.
- SHELL: SEE NOTES.

SPECIFICATION:

- 1. ELECTRICAL CHARACTERISTIC:
 - CONTACT RESISTANCE: 30MΩ MAX
 - DIELECTRIC WITHSTANDING VOLTAGE: 500V AC FOR 1MIN
 - INSULATION RESISTANCE: 1000MΩ MIN
- 2. MECHANICAL CHARACTERISTIC:
 - INSERTION FORCE: 35N(3.57KGF) MAX
 - EXTRACTION FORCE: 10~35N(1.02~3.57KGF) MIN
 - DURABILITY: 1500 CYCLES EXTRACTION FORCE: 10~35N
5000 CYCLES MIN
 - 5000 CYCLES EXTRACTION FORCE: 3~35N
- 3. ENVIRONMENTAL:
 - OPERATING TEMPERATURE: -55°C+85°C
- 4. Contact finish:
 - 01: Selective Gold Flash
 - 02: Selective Gold 3U"
 - 03: Selective Gold 5U"
 - 04: Selective Gold 15U"
 - 05: Selective Gold 30U"

<p>产品图 PRODUCT CHART DWG</p> <p>公差一览表 TOLERANCE UNLESS OTHERWISE</p> <table border="1"> <tr> <td>.X</td> <td>±0.25</td> <td>.X</td> <td>±5.°</td> </tr> <tr> <td>.X</td> <td>±0.20</td> <td>.X</td> <td>±2.°</td> </tr> <tr> <td>.XX</td> <td>±0.15</td> <td>.XX</td> <td>±1.°</td> </tr> <tr> <td>.XXX</td> <td>±0.10</td> <td>.XXX</td> <td>±0.5°</td> </tr> </table>				.X	±0.25	.X	±5.°	.X	±0.20	.X	±2.°	.XX	±0.15	.XX	±1.°	.XXX	±0.10	.XXX	±0.5°	<p>深圳市精拓金电子有限公司</p>					
.X	±0.25	.X	±5.°																						
.X	±0.20	.X	±2.°																						
.XX	±0.15	.XX	±1.°																						
.XXX	±0.10	.XXX	±0.5°																						
单位 UNITS	MM	制图 DRAWING	Z-Y-B	制图料号 PRODUCT PART NO.	910-161B2026S10100																				
比例 SCALE	1:1	审核 CHKD		产品名称 PRODUCT NO.	AF10.0C款前两脚无边铁壳反向 LCP黑胶6.2SMT																				
日期 DATE	2012.10.15	核准 APPD		角法 VIEW		版本 VER																			
						A0																			