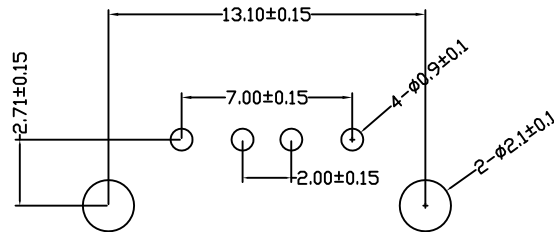
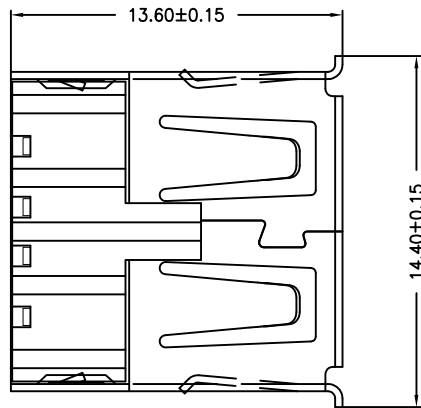
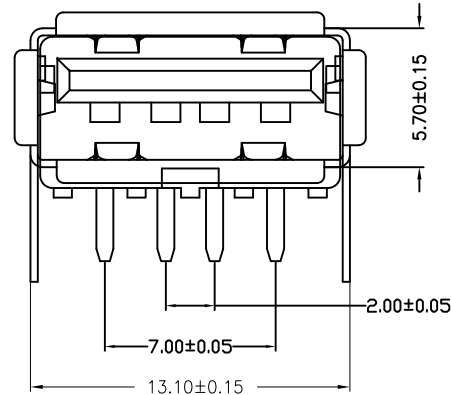
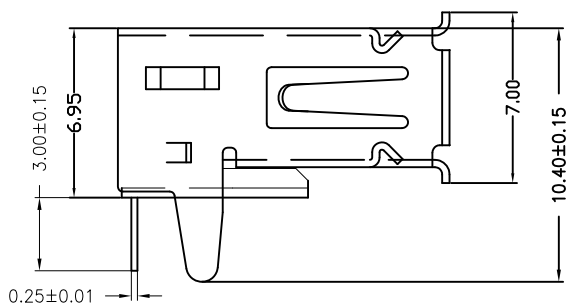


|            |                      |            |
|------------|----------------------|------------|
| 目錄<br>MAPX | 設變內容<br>MODIFICATION | 日期<br>DATE |
|            |                      |            |



PCB LAYOUT

备注：侧弹分为外弹与内弹

NOTES:

- Housing: Thermoplastics,UL94V-0
- Contact: Copper Alloy
- Shell: Copper Alloy/Steel
- Voltage Current Rating:1.5 AMP. 30V AC
- Insulation Resistance:1000MΩ Min.
- Contact Resistance:30 MΩ Max.
- Dielectric Withstanding Voltage:500W AC
- Temperature Range:-35°C to +85°C
- Insulator color: Black/White
- Plastic material:PBT/LCP/Others
- Shell finish:Nickel plated/Tin-Lead plated
- Mechanical:
- Mating Force: 3.5KG MAX
- Unmating Force: 0.7 KG MIN.
- Contact finish:
- 01: Selective Gold Flash
- 02: Selective Gold 3U"
- 03: Selective Gold 5U"
- 04: Selective Gold 15U"
- 05: Selective Gold 30U"

|                                     |       |       |       |              |     |               |       |                          |                             |            |            |
|-------------------------------------|-------|-------|-------|--------------|-----|---------------|-------|--------------------------|-----------------------------|------------|------------|
| 产品图<br>PRODUCT CHART DWG            |       |       |       | 深圳市精拓金电子有限公司 |     |               |       |                          |                             |            |            |
| 公差一览表<br>TOLERANCE UNLESS OTHERWISE |       |       |       | 单位<br>UNITS  | MM  | 制图<br>DRAWING | Z-Y-B | 产品料号<br>PRODUCT PART NO. | 903-232A1011D10100          |            |            |
| X.                                  | ±0.25 | X'    | ±5'   | 比例<br>SCALE  | 1:1 | 审核<br>CHKD    | 雷永键   | 产品名称<br>PRODUCT NO.      | AF90度无后盖直脚有边内弹铜壳<br>T型PBT白胶 |            |            |
| .X                                  | ±0.20 | .X'   | ±2'   |              |     |               |       |                          | 日期<br>DATE                  | 2009/10/20 | 核准<br>APPD |
| .XX                                 | ±0.15 | .XX'  | ±1'   |              |     |               |       |                          |                             |            |            |
| .XXX                                | ±0.10 | .XXX' | ±0.5' |              |     |               |       |                          |                             |            |            |