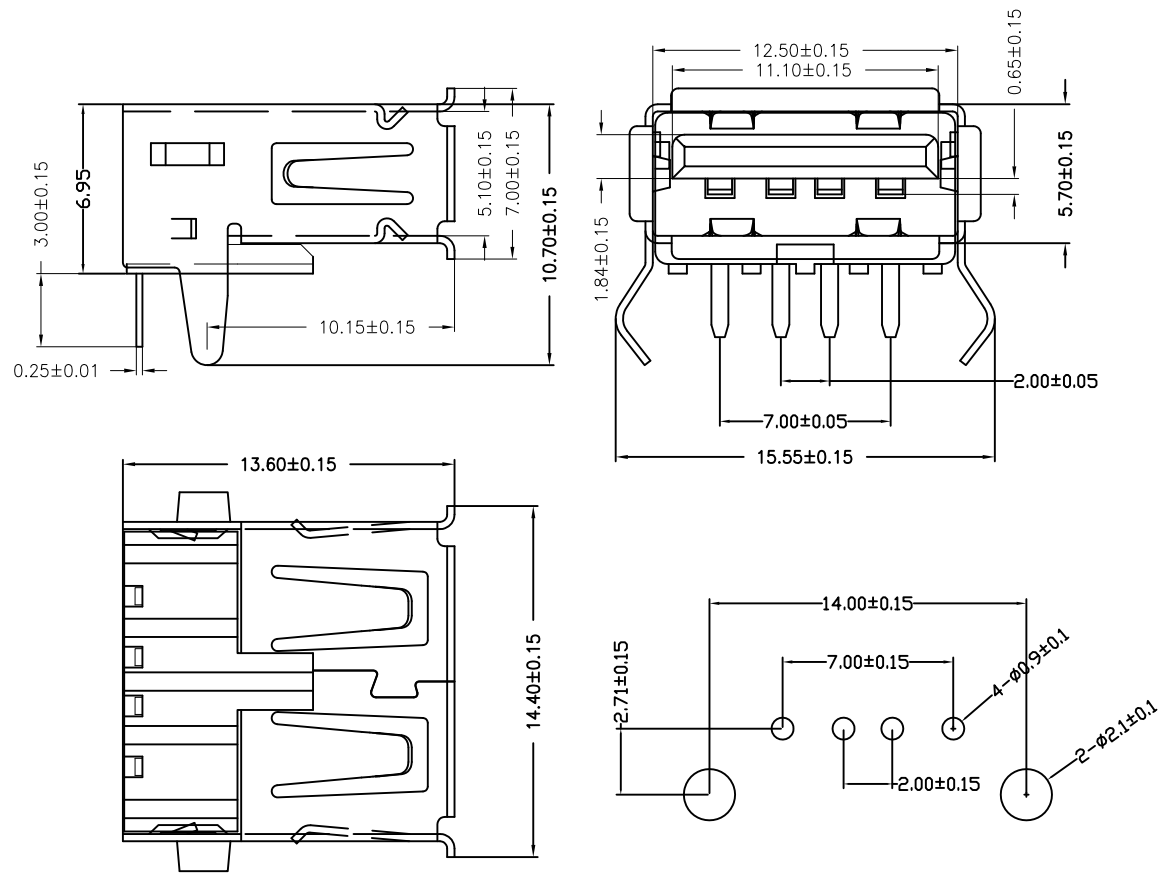


目錄 MAPX	設變內容 MODIFICATION	日期 DATE



NOTES:  
Housing: Thermoplastics,UL94V-0  
Contact: Copper Alloy  
Shell: Copper Alloy/Steel  
Voltage Current Rating:1.5 AMP. 30V AC  
Insulation Resistance:1000MΩ Min.  
Contact Resistance:30 MΩ Max.  
Dielectric Withstanding Voltage:500V AC  
Temperature Range:-35°C to +85°C  
Insulator color: Black/White  
Plastic material:PBT/LCP/Others  
Shell finish:Nickel plated/Tin-Lead plated  
Mechanical:  
Mating Force:3.5KG MAX  
Unmating Force:0.7 KG MIN.  
Contact finish:

- 01: Selective Gold Flash
- 02: Selective Gold 3U"
- 03: Selective Gold 5U"
- 04: Selective Gold 15U"
- 05: Selective Gold 30U"

备注：侧弹分为外弹与内弹

产品图 PRODUCT CHART DWG				深圳市精拓金电子有限公司						
公差一览表 TOLERANCE UNLESS OTHERWISE				单位 UNITS	MM	制图 DRAWING	Z-Y-B	产品料号 PRODUCT PART NO.	903-131A1011D10100	
X.	±0.25	X'	±5'	比例 SCALE	1:1	审核 CHKD	雷永键	产品名称 PRODUCT NO.	AF90度无后盖弯脚有边内弹铁壳 T型PBT白胶	
.XX	±0.20	.XX'	±2'							
.XX	±0.15	.XX'	±1'	日期 DATE	2009/10/20	核准 APPD	雷永键	角法 VIEW	版本 VER	A0
.XXX	±0.10	.XXX'	±0.5'							