

RoHS

MAPX

MODIFICATION

DRW

DATE

A

B

C

D

F

F

G

A

B

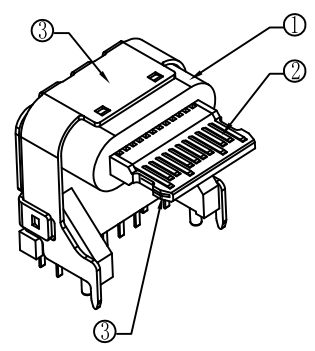
C

D

F

F

G



NOTES:

1. MATERIAL: SEE "TABLE 1";
2. FINISH: SEE "TABLE 1";
3. ELECTRICAL :
  - 3-1. CONTACT CURRENT RATING :  
5A (VBUS PIN 1.5A/PIN),  
5A (GND PIN 1.25A/PIN MAX), 0.25A/PIN (OTHER PIN).
  - 3-2. INSULATION RESISTANCE :  
100 MEGAOHMS MIN. AT 250VDC.
  - 3-3. DIELECTRIC WITHSTANDING VOLTAGE :  
100VAC MIN.
  - 3-4. LOW LEVEL CONTACT RESISTANCE :  
INITIAL 40mΩ MAX.  
AFTER 50mΩ MAX.
4. MECHANICAL CHARACTERISTICS :
  - 4-1. MATING FORCE: 5~20N.;
  - 4-2. UNMATING FORCE: 8~20N (INITIAL),  
6~20N (AFTER 10000 CYCLES);
  - 4-3. DURABILITY : 10,000 MATING CYCLES.
  - 4-4. OPERATING TEMPERATURE :-40° C TO +80° C

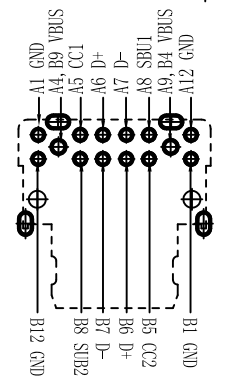
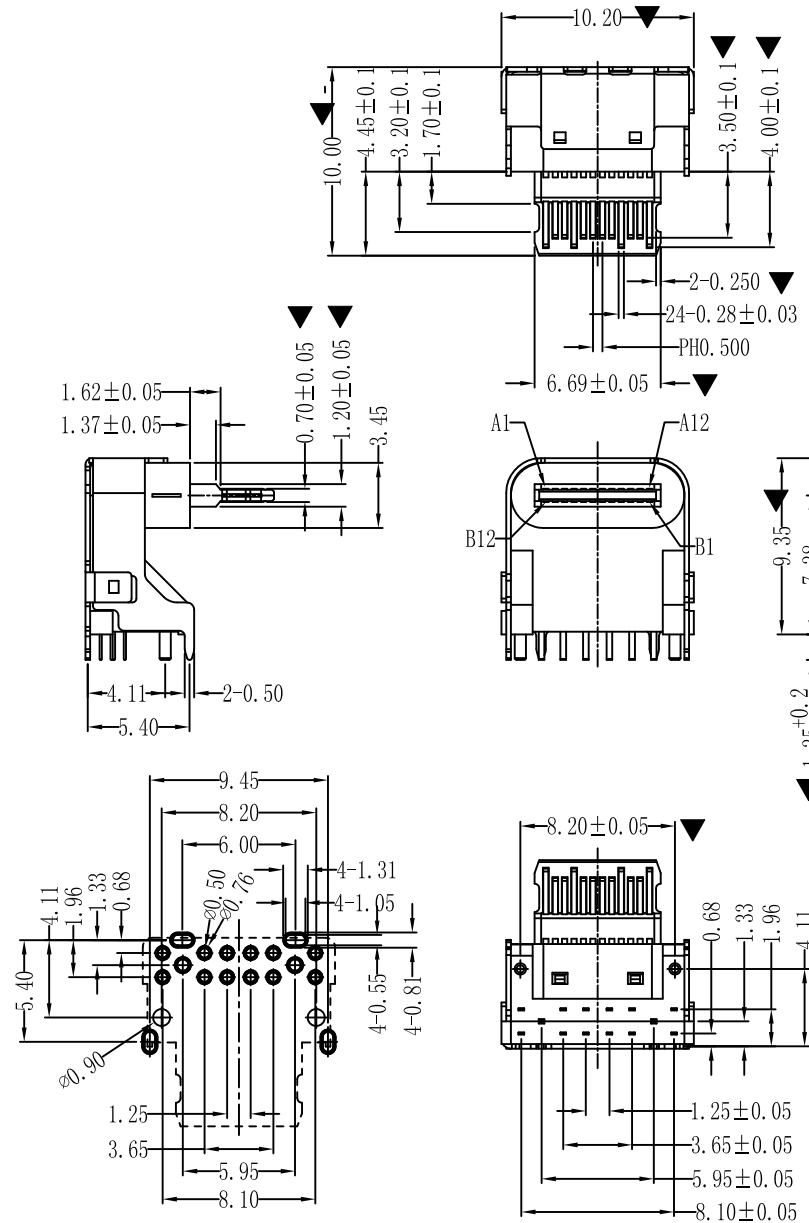


TABLE 1:

NO.	PART NAME	QTY	MATERIAL	DESCRIPTION	REMARK
④	Shell	1	Stainless steel	NI PLATING;	T=0.25mm
③	MID PLATE	1	Stainless steel		T=0.15mm
②	Terminal	24	7025	Au:3u" PLATING;	T=0.12mm
①	Housing	3	HIGH TEMP	White	

<p>产品图 PRODUCT CHART DWG</p> <p>公差一览表 TOLERANCE UNLESS OTHERWISE</p> <table border="1"> <tr> <td>X.</td> <td>±0.25</td> <td>X.</td> <td>±5.°</td> </tr> <tr> <td>.X</td> <td>±0.20</td> <td>.X</td> <td>±2.°</td> </tr> <tr> <td>.XX</td> <td>±0.15</td> <td>.XX</td> <td>±1.°</td> </tr> <tr> <td>.XXX</td> <td>±0.05</td> <td>.XXX</td> <td>±0.5°</td> </tr> </table>		X.	±0.25	X.	±5.°	.X	±0.20	.X	±2.°	.XX	±0.15	.XX	±1.°	.XXX	±0.05	.XXX	±0.5°	<p>深圳市精拓金电子有限公司 Shenzhen Jing Tuo Jin Electronics Co., Ltd.</p>			
X.	±0.25	X.	±5.°																		
.X	±0.20	.X	±2.°																		
.XX	±0.15	.XX	±1.°																		
.XXX	±0.05	.XXX	±0.5°																		
单位 UNITS	MM	制图 DRAWING	YANG	制图料号 PRODUCT PART NO.	914-714D3068D20200																
比例 SCALE	1:1	审核 CHKD	郭治富	产品名称 PRODUCT NAME	TYPE-C3.1 16PIN/H9.2/5.4 90度 PA9T白偏蓝有柱																
日期 DATE	2019-11-07	核准 APPD	黄国荣	角法 VIEW	版本 VER																
					AD																