

目錄 MAPX	設變內容 MODIFICATION	日期 DATE
------------	----------------------	------------

NOTES:

1.MATERIAL:

MOLDING: LCP UL94 V-0

CONTACT: COPPER ALLOY.

GOLD PLATED 30u" Min ON CONTACT AREA, 100u" Min TIN (LEAD FREE) ON SOLDER AREA,

SHELL: SUS304-H, T=0.30±0.03mm

50u" NICKEL PLATING OVER ALL.

SHILD: SUS304-H, T=0.12±0.03mm

2.MECHANICAL:

INSERTION: 5~20N.

EXTRACTION: 8~20N.

DURABILITY: 10000 CYCLES

3.ELECTRICAL:

CURRENT: 5A MIN FOR VBUS;

0.25A MIN FOR OTHER.

VOLTAGE: 5VAC MAX

WITHSTANDING VOLTAGE: 100V AC.

CONTACT RESISTANCE: 40mΩ MAX.

INSULATION RESISTANCE: 100MΩ MIN.

4.ENVIRONMENTAL

TEMPERATURE RANGE -55°C ~ +85°C

产品图
PRODUCT CHART DWG

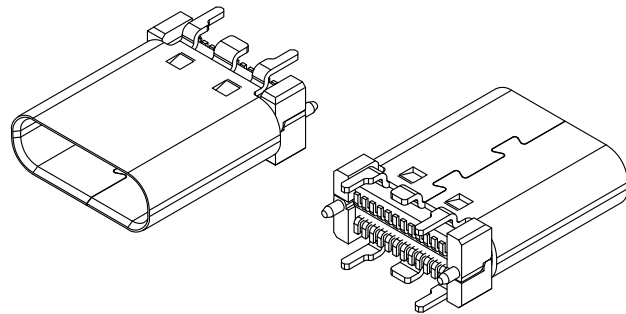
深圳市精拓金电子有限公司

公差一览表 TOLERANCE UNLESS OTHERWISE				单位 UNITS	MM	制图 DRAWING	Z-Y-B	产品料号 PRODUCT PART NO.	918-418K2022Y40004		
X.	±0.25	X'	±5°	比例 SCALE	1:1	审核 CHKD	产品名称 PRODUCT NO.	TYPE-C3.1母座无边180度贴片			
.XX	±0.20	.XX'	±2°					9.3LCP黑胶 24PIN			
.XXX	±0.15	.XXX'	±1°					角法 VIEW	核准 APPD	版本 VER	A0
	±0.10	.XXX'	±0.5°	日期 DATE	2015.07.30						

目錄
MAPX

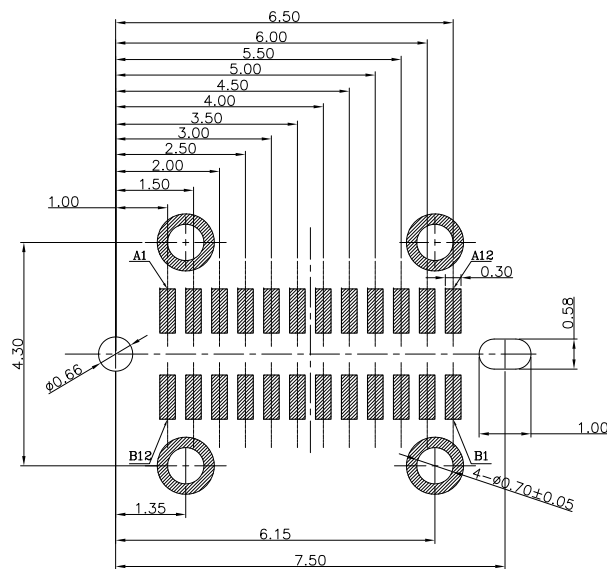
設變內容
MODIFICATION

日期
DATE



USB TYPE-C FULL-FEATURED RECEPTACLE INTERFACE PIN ASSIGNMENTS

PIN	Signal Name	Description	PIN	Signal Name	Description
A1	GND	Ground return	B12	GND	Ground return
A2	SSTXp1	Positive half of first SuperSpeed TX differential pair	B11	SSTXp1	Positive half of first SuperSpeed TX differential pair
A3	SSTXn1	Negative half of first SuperSpeed TX differential pair	B10	SSTXn1	Negative half of first SuperSpeed TX differential pair
A4	VBUS	Bus Power	B9	VBUS	Bus Power
A5	CC1	Configuration Channel	B8	CC1	Configuration Channel
A6	Dp1	Positive half of the USB 2.0 differential pair-Position 1	B7	Dp1	Positive half of the USB 2.0 differential pair-Position 1
A7	Dn1	Negative half of the USB 2.0 differential pair-Position 1	B6	Dn1	Negative half of the USB 2.0 differential pair-Position 1
A8	RFU1	Reserved for Future Use (RFU)	B5	RFU1	Reserved for Future Use (RFU)
A9	VBUS	Bus Power	B4	VBUS	Bus Power
A10	SSRXn2	Negative half of second SuperSpeed RX differential pair	B3	SSRXn2	Negative half of second SuperSpeed RX differential pair
A11	SSRXp2	Positive half of second SuperSpeed RX differential pair	B2	SSRXp2	Positive half of second SuperSpeed RX differential pair
A12	GND	Ground return	B1	GND	Ground return



RECOMMENDED P.C.B. LAYOUT (T:1.00mm)
TOLERANCE UNSPECIFIED ±0.05mm
SCALE: 2:1

<p>产品图 PRODUCT CHART DWG</p>		<p>深圳市精拓金电子有限公司</p>					
<p>公差一览表 TOLERANCE UNLESS OTHERWISE</p>		<p>单位 UNITS</p>	MM	<p>制图 DRAWING</p>	Z-Y-B	<p>产品料号 PRODUCT PART NO.</p>	918-418K2022Y40004
X.	±0.25	X'	±5°	<p>比例 SCALE</p>	<p>审核 CHKD</p>	<p>产品名称 PRODUCT NO.</p>	TYPE-C3.1母座无边180度贴片
.X	±0.20	.X'	±2°				9.3LCP黑胶 24PIN
.XX	±0.15	.XX'	±1°	<p>日期 DATE</p>	<p>核准 APPD</p>	<p>角法 VIEW</p>	版本
.XXX	±0.10	.XXX'	±0.5°				APPD