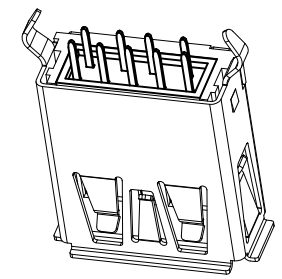
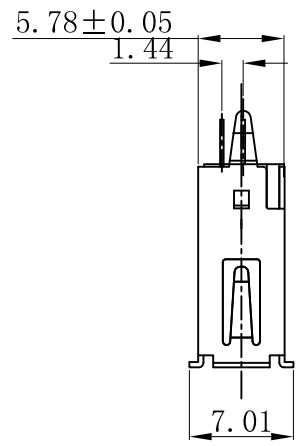
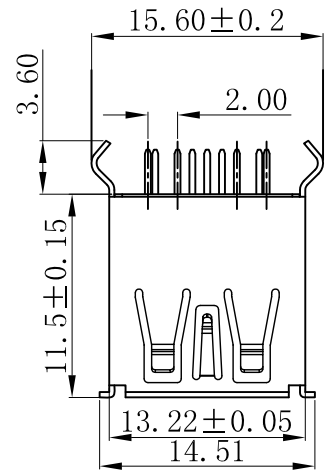
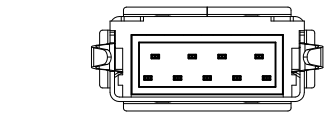
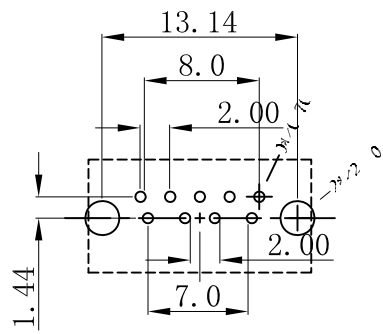


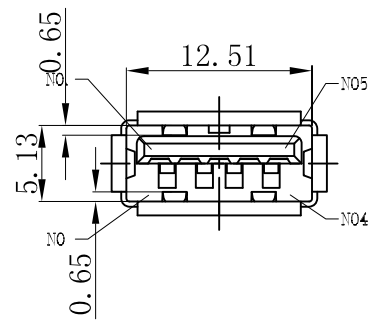
MAPX	MODIFICATION	DATE



- NOTES:
- ELECTRONIC:
 - CONTACT RESISTANCE: 30mohm MAX
 - INSULATION RESISTANCE: 1000 Mohm MIN
 - WITHSTAND VOLTAGE: AC 500V, 1min.
 - MECHANICAL:
 - DURABILITY: 1500 CYCLE.
 - ENVIRONMENT CHARACTERISTICS:
 - OPERATING TEMPERATURE: -55? TO +105?
 - RECOMMENDER PCB THICKNESS 1.2 TO 1.60MM



RECOMMENDED P.C.B LAYOUT(±0.05)



5	SHELL	1	COPPER ALLOY	NI PLATED
4	5PIN	5	COPPER ALLOY	AU/TIN PLATED
3	4PIN	4	COPPER ALLOY	AU/TIN PLATED
2	COVER	1	THERMOPLASTIC	<UL 94V-0> BLUE
1	HOUSING	1	THERMOPLASTIC	<UL 94V-0> BLUE
No.	PART NAME	QTY	MATERIAL	REMARK

产品图 PRODUCT CHART DWG 公差一览表 TOLERANCE UNLESS OTHERWISE		深圳市精拓金电子有限公司							
X.	±0.15	X.	±5.°	单位	MM	制图	邱建辉	制图料号	916-152A205EY10200
.X	±0.10	.X	±2.°	比例	1:1	审核	郭治富	产品名称	USB AF 3.0/180度11.5弯脚有边
.XX	±0.01	.XX	±1.°	日期	20160728	核准	黄国荣	产品料号	铜壳LCP蓝胶24H
.XXX	±0.002	.XXX	±0.5°	角法		APPD		版本	AD