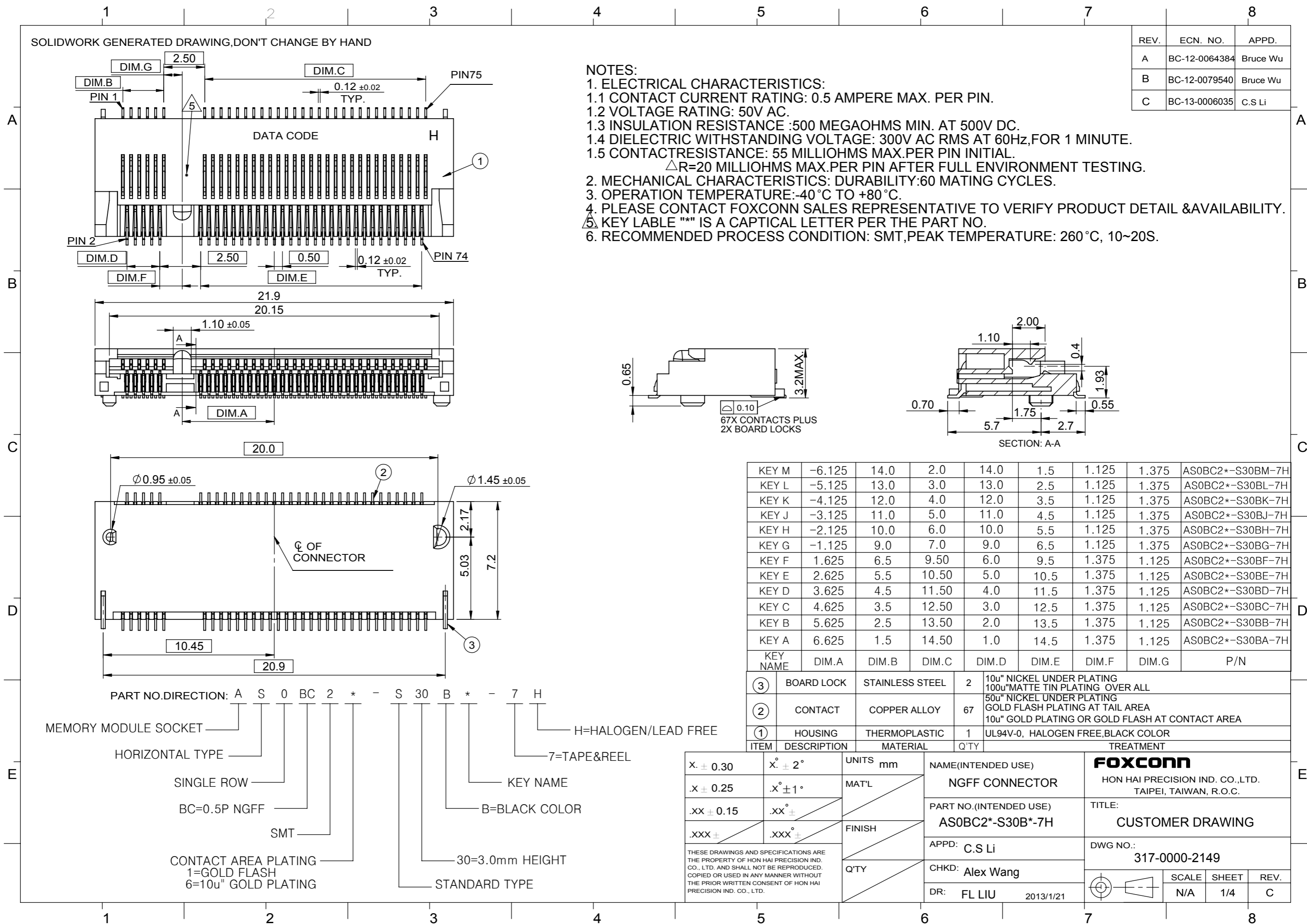


SOLIDWORK GENERATED DRAWING, DON'T CHANGE BY HAND

REV.	ECN. NO.	APPD.
A	BC-12-0064384	Bruce Wu
B	BC-12-0079540	Bruce Wu
C	BC-13-0006035	C.S Li

NOTES:

- ELECTRICAL CHARACTERISTICS:
 - CONTACT CURRENT RATING: 0.5 AMPERE MAX. PER PIN.
 - VOLTAGE RATING: 50V AC.
 - INSULATION RESISTANCE :500 MEGAOHMS MIN. AT 500V DC.
 - DIELECTRIC WITHSTANDING VOLTAGE: 300V AC RMS AT 60Hz, FOR 1 MINUTE.
 - CONTACT RESISTANCE: 55 MILLIOHMS MAX. PER PIN INITIAL.
 $\Delta R=20$ MILLIOHMS MAX. PER PIN AFTER FULL ENVIRONMENT TESTING.
- MECHANICAL CHARACTERISTICS: DURABILITY: 60 MATING CYCLES.
- OPERATION TEMPERATURE: -40 °C TO +80 °C.
- PLEASE CONTACT FOXCONN SALES REPRESENTATIVE TO VERIFY PRODUCT DETAIL & AVAILABILITY.
- KEY LABEL "*" IS A CAPITAL LETTER PER THE PART NO.
- RECOMMENDED PROCESS CONDITION: SMT, PEAK TEMPERATURE: 260 °C, 10~20S.



KEY NAME	DIM.A	DIM.B	DIM.C	DIM.D	DIM.E	DIM.F	DIM.G	P/N
KEY M	-6.125	14.0	2.0	14.0	1.5	1.125	1.375	AS0BC2*-S30BM-7H
KEY L	-5.125	13.0	3.0	13.0	2.5	1.125	1.375	AS0BC2*-S30BL-7H
KEY K	-4.125	12.0	4.0	12.0	3.5	1.125	1.375	AS0BC2*-S30BK-7H
KEY J	-3.125	11.0	5.0	11.0	4.5	1.125	1.375	AS0BC2*-S30BJ-7H
KEY H	-2.125	10.0	6.0	10.0	5.5	1.125	1.375	AS0BC2*-S30BH-7H
KEY G	-1.125	9.0	7.0	9.0	6.5	1.125	1.375	AS0BC2*-S30BG-7H
KEY F	1.625	6.5	9.5	6.0	9.5	1.375	1.125	AS0BC2*-S30BF-7H
KEY E	2.625	5.5	10.5	5.0	10.5	1.375	1.125	AS0BC2*-S30BE-7H
KEY D	3.625	4.5	11.5	4.0	11.5	1.375	1.125	AS0BC2*-S30BD-7H
KEY C	4.625	3.5	12.5	3.0	12.5	1.375	1.125	AS0BC2*-S30BC-7H
KEY B	5.625	2.5	13.5	2.0	13.5	1.375	1.125	AS0BC2*-S30BB-7H
KEY A	6.625	1.5	14.5	1.0	14.5	1.375	1.125	AS0BC2*-S30BA-7H

ITEM	DESCRIPTION	MATERIAL	Q'TY	TREATMENT
③	BOARD LOCK	STAINLESS STEEL	2	10u" NICKEL UNDER PLATING 100u" MATTE TIN PLATING OVER ALL
②	CONTACT	COPPER ALLOY	67	50u" NICKEL UNDER PLATING GOLD FLASH PLATING AT TAIL AREA 10u" GOLD PLATING OR GOLD FLASH AT CONTACT AREA
①	HOUSING	THERMOPLASTIC	1	UL94V-0, HALOGEN FREE, BLACK COLOR

UNITS	mm	NAME (INTENDED USE)	FOXCONN
x. ± 0.30	x° ± 2°	NGFF CONNECTOR	HON HAI PRECISION IND. CO., LTD. TAIPEI, TAIWAN, R.O.C.
.x ± 0.25	.x° ± 1°	PART NO. (INTENDED USE)	TITLE:
.xx ± 0.15	.xx° ±	AS0BC2*-S30B*-7H	CUSTOMER DRAWING
.xxx ±	.xxx° ±	APPD: C.S Li	DWG NO.:
THESE DRAWINGS AND SPECIFICATIONS ARE THE PROPERTY OF HON HAI PRECISION IND. CO., LTD. AND SHALL NOT BE REPRODUCED, COPIED OR USED IN ANY MANNER WITHOUT THE PRIOR WRITTEN CONSENT OF HON HAI PRECISION IND. CO., LTD.		CHKD: Alex Wang	317-0000-2149
		DR: FL LIU 2013/1/21	SCALE SHEET REV. N/A 1/4 C

PART NO. DIRECTION: A S 0 BC 2 * - S 30 B * - 7 H

MEMORY MODULE SOCKET

HORIZONTAL TYPE

SINGLE ROW

BC=0.5P NGFF

SMT

CONTACT AREA PLATING
1=GOLD FLASH
6=10u" GOLD PLATING

H=HALOGEN/LEAD FREE

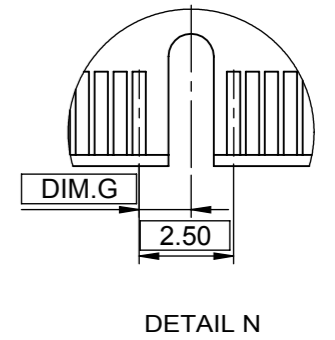
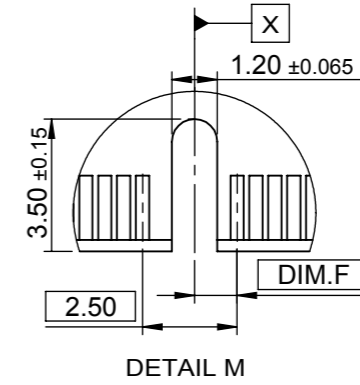
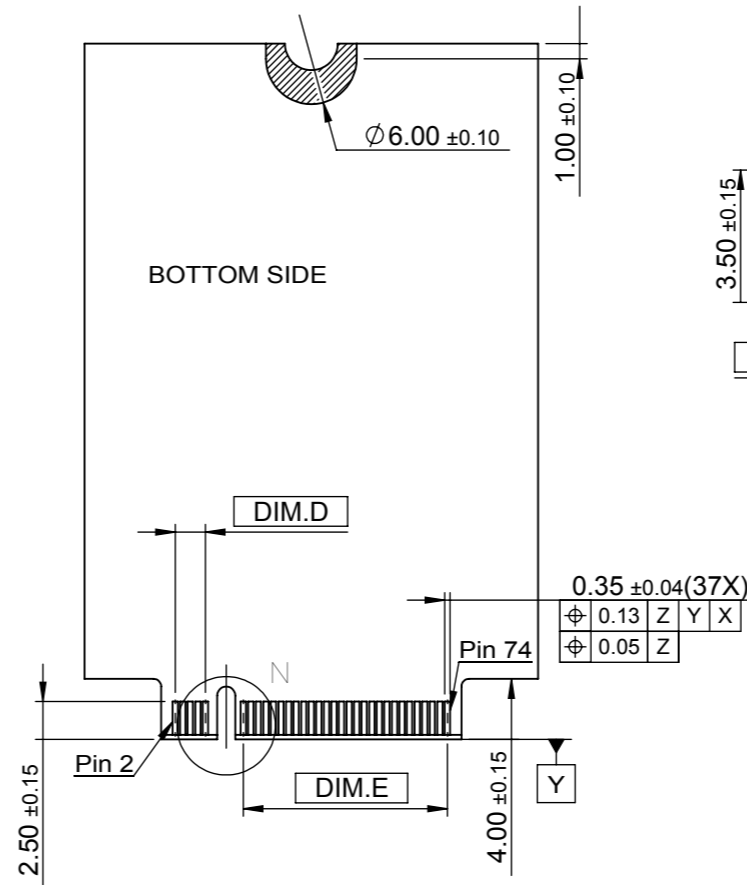
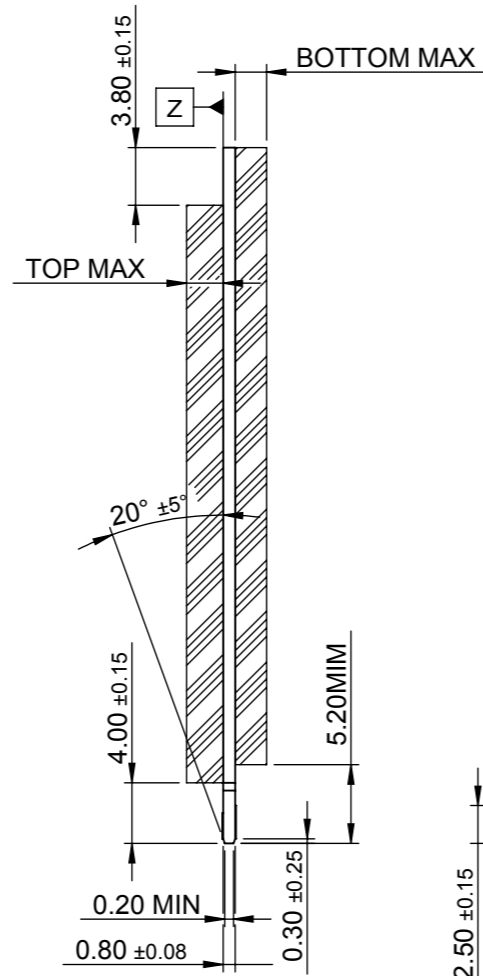
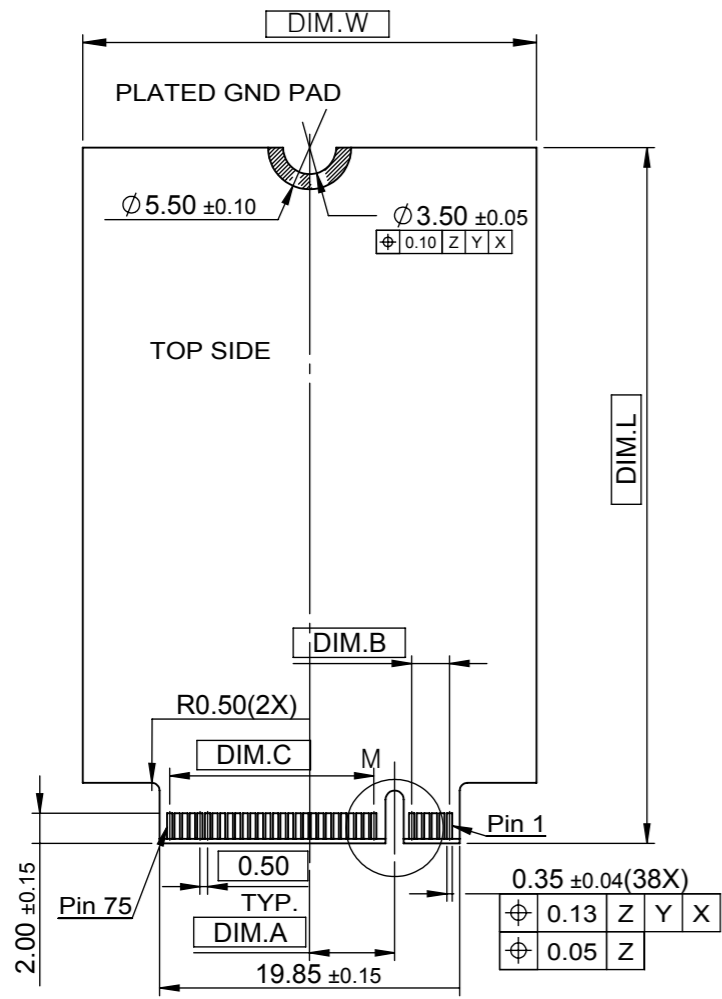
7=TAPE&REEL

KEY NAME

B=BLACK COLOR

30=3.0mm HEIGHT

STANDARD TYPE



TYPE XX XX-XX-X

KEY ID

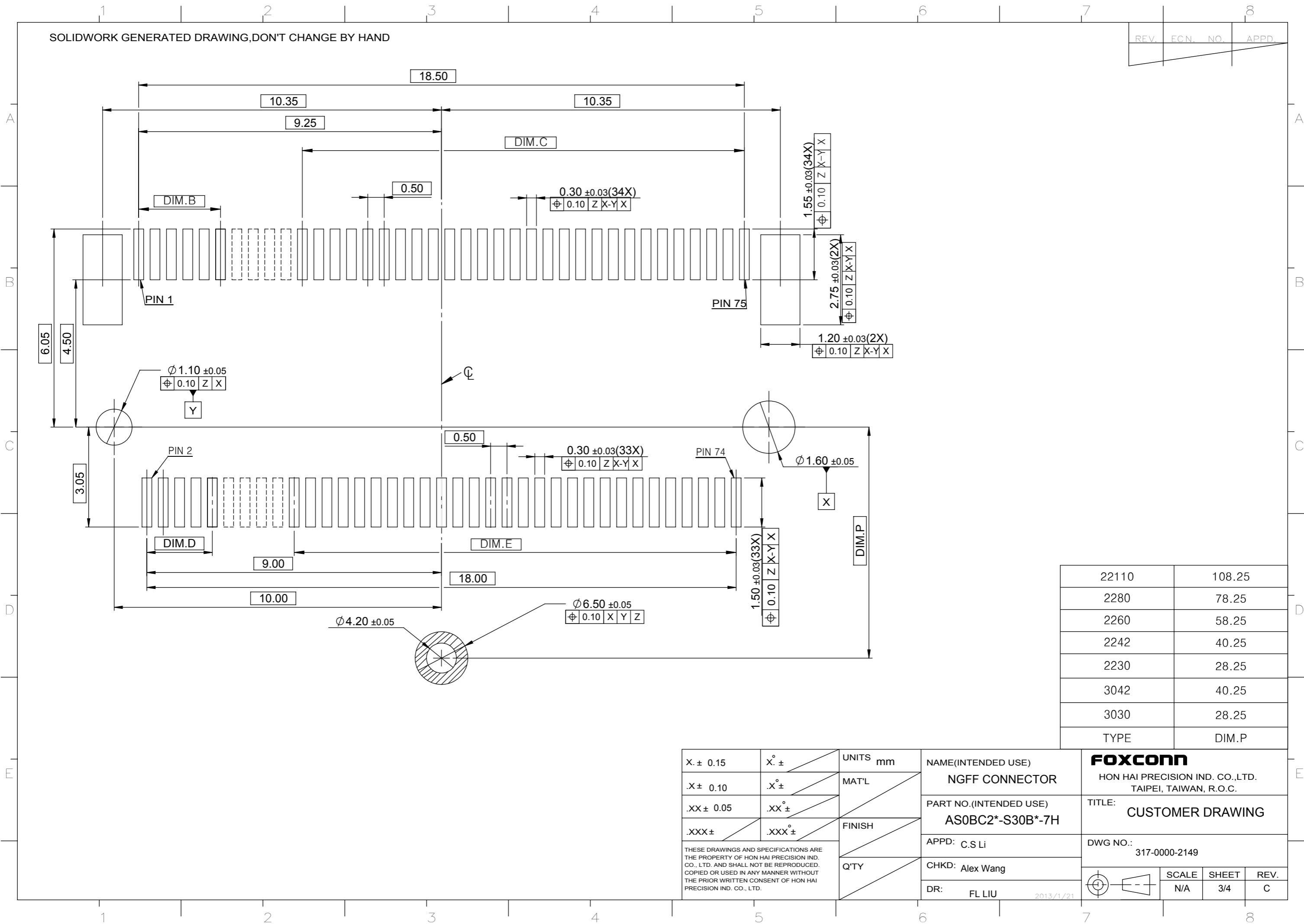
	COMPONENT MAX H	
	TOM MAX	BOTTOM MAX
S1	1.2	0
S2	1.35	0
S3	1.5	0
D1	1.2	1.35
D2	1.35	1.35
D3	1.5	1.35
D4	1.5	0.7

LENGTH(mm)	30
DIM.L	42
	60
WIDTH(mm)	22
DIM.W	30
	80
	110

X. ± 0.15	X. ° ±	UNITS mm	NAME(INTENDED USE)	FOXCONN HON HAI PRECISION IND. CO.,LTD. TAIPEI, TAIWAN, R.O.C.
.X ± 0.10	.X ° ±		NGFF CONNECTOR	
.XX ± 0.05	.XX ° ±	MAT'L	PART NO.(INTENDED USE)	TITLE:
.XXX ±	.XXX ° ±		AS0BC2*-S30B*-7H	CUSTOMER DRAWING
THESE DRAWINGS AND SPECIFICATIONS ARE THE PROPERTY OF HON HAI PRECISION IND. CO., LTD. AND SHALL NOT BE REPRODUCED, COPIED OR USED IN ANY MANNER WITHOUT THE PRIOR WRITTEN CONSENT OF HON HAI PRECISION IND. CO., LTD.			FINISH	DWG NO.:
			Q'TY	317-0000-2149
			APPD: C.S Li	SCALE SHEET REV. N/A 2/4 C
			CHKD: Alex Wang	
			DR: FL LIU	2013/1/21

SOLIDWORK GENERATED DRAWING, DON'T CHANGE BY HAND

REV.	ECN.	NO.	APPD.

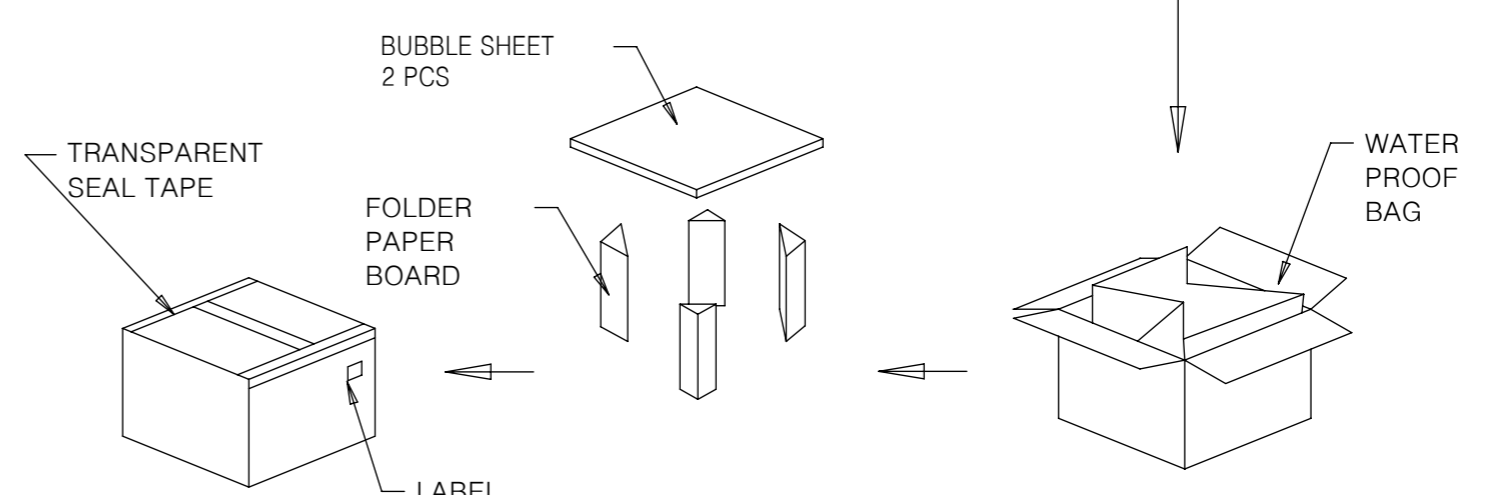
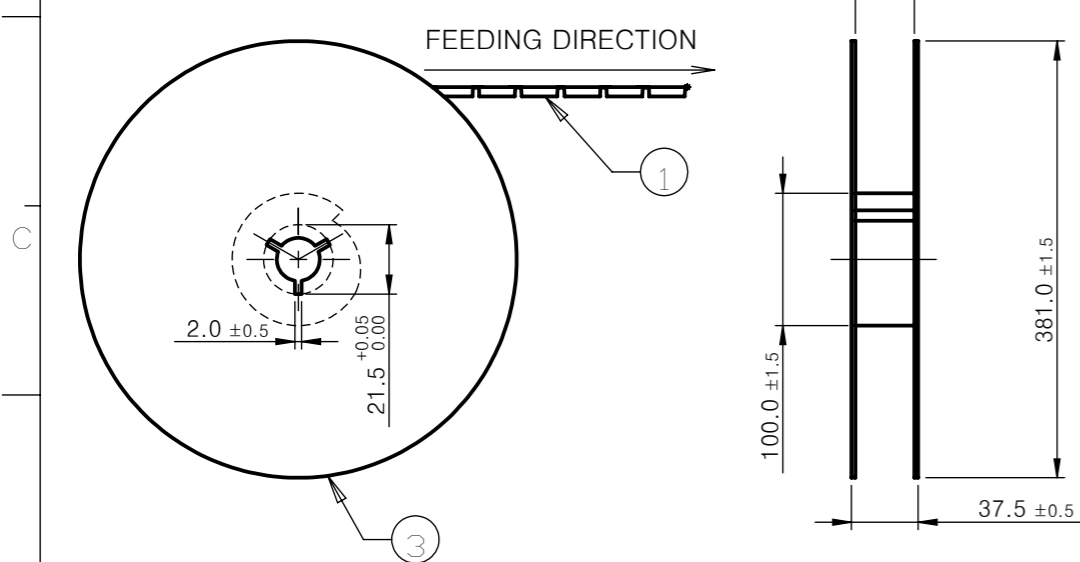
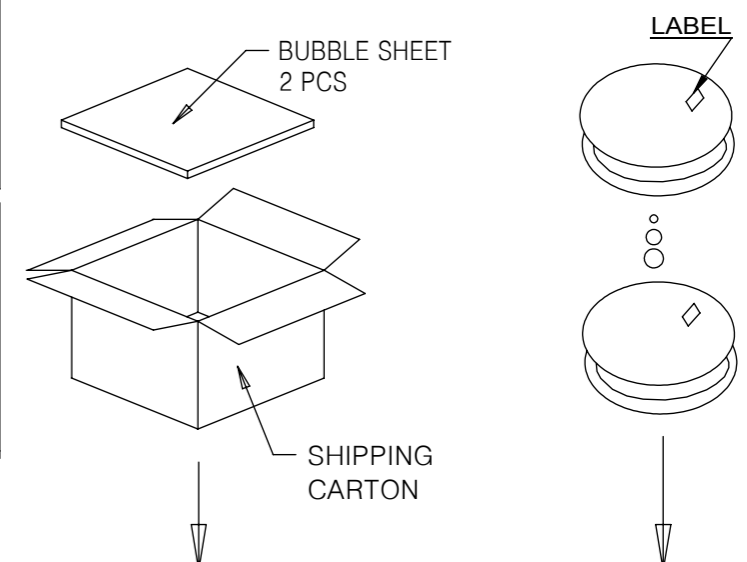
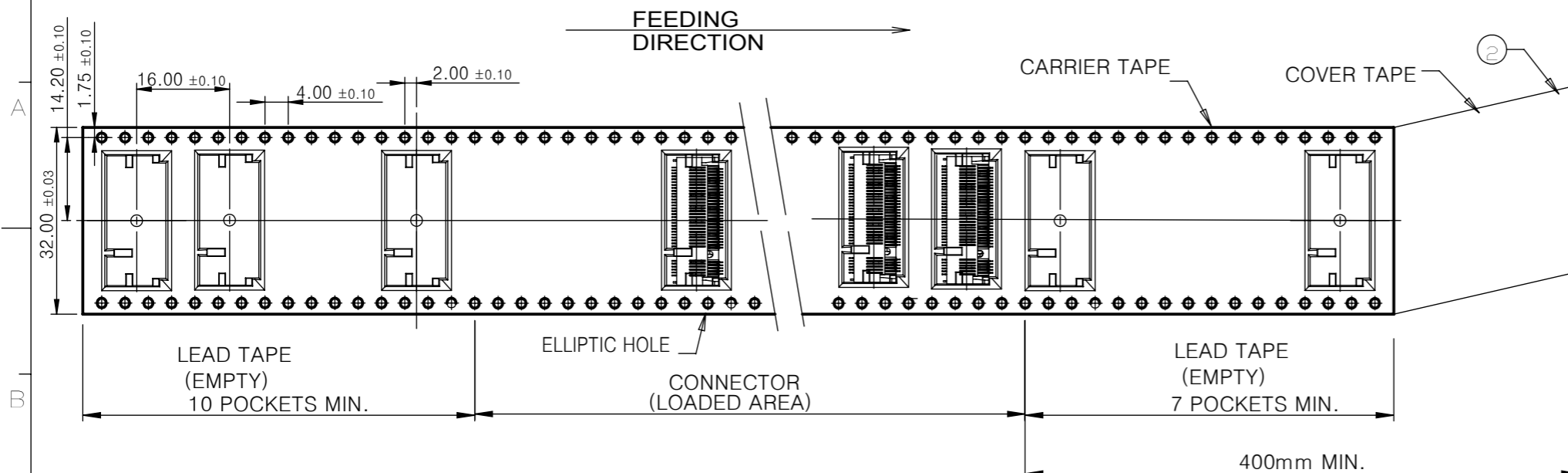


22110	108.25
2280	78.25
2260	58.25
2242	40.25
2230	28.25
3042	40.25
3030	28.25
TYPE	DIM.P

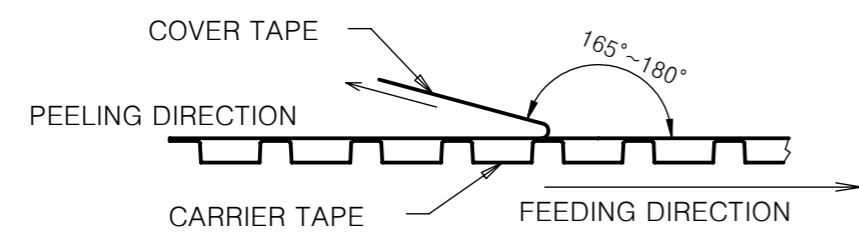
X. ± 0.15	X. ° ±	UNITS mm	NAME (INTENDED USE) NGFF CONNECTOR	FOXCONN HON HAI PRECISION IND. CO., LTD. TAIPEI, TAIWAN, R.O.C.
.X ± 0.10	.X ° ±			
.XX ± 0.05	.XX ° ±	FINISH	PART NO. (INTENDED USE) AS0BC2*-S30B*-7H	TITLE: CUSTOMER DRAWING
.XXX ±	.XXX ° ±		Q'TY	APPD: C.S Li
THESE DRAWINGS AND SPECIFICATIONS ARE THE PROPERTY OF HON HAI PRECISION IND. CO., LTD. AND SHALL NOT BE REPRODUCED, COPIED OR USED IN ANY MANNER WITHOUT THE PRIOR WRITTEN CONSENT OF HON HAI PRECISION IND. CO., LTD.			CHKD: Alex Wang	
			DR: FL LIU	

SOLIDWORKS GENERATED DRAWING, DO NOT CHANGE BY HAND

REV.	ECN.	NO.	APPD.



- NOTES:
- COVER TAPE PEELING STRENGTH : 0.01 kgf MIN & 0.13 kgf MAX. AT 300mm/min.
 - 10 POCKETS HOLE PITCH CUMULATIVE TOLERANCE ±0.20mm.



③	REEL	POLYSTYRENE
②	COVER TAPE	POLYESTER
①	CARRIER TAPE	POLYSTYRENE
ITEM	DESCRIPTION	MATERIAL

X. ± 0.30	X. ° ± °	UNITS mm	NAME(INTENDED USE)	FOXCONN HON HAI PRECISION IND. CO.,LTD. TAIPEI, TAIWAN, R.O.C.	
.X ± 0.25	.X ° ±	MAT'L	NGFF CONNECTOR		
.XX ±0.15	.XX ° ±	FINISH	PART NO.(INTENDED USE)	TITLE:	
.XXX ±	.XXX ° ±		AS0BC2*-S30B*-7H	CUSTOMER DRAWING	
THESE DRAWINGS AND SPECIFICATIONS ARE THE PROPERTY OF HON HAI PRECISION IND. CO., LTD. AND SHALL NOT BE REPRODUCED. COPIED OR USED IN ANY MANNER WITHOUT THE PRIOR WRITTEN CONSENT OF HON HAI PRECISION IND. CO., LTD.			APPD: C.S Li	DWG NO.:	
			CHKD: Alex Wang	317-0000-2149	
			DR: FL LIU	2013/1/21	
			SCALE	SHEET	REV.
			N/A	4/4	C

AS0BC2*-S30B*-7H	1200	7	8400
P/N	PCS/REEL	REEL/BOX	PCS/BOX