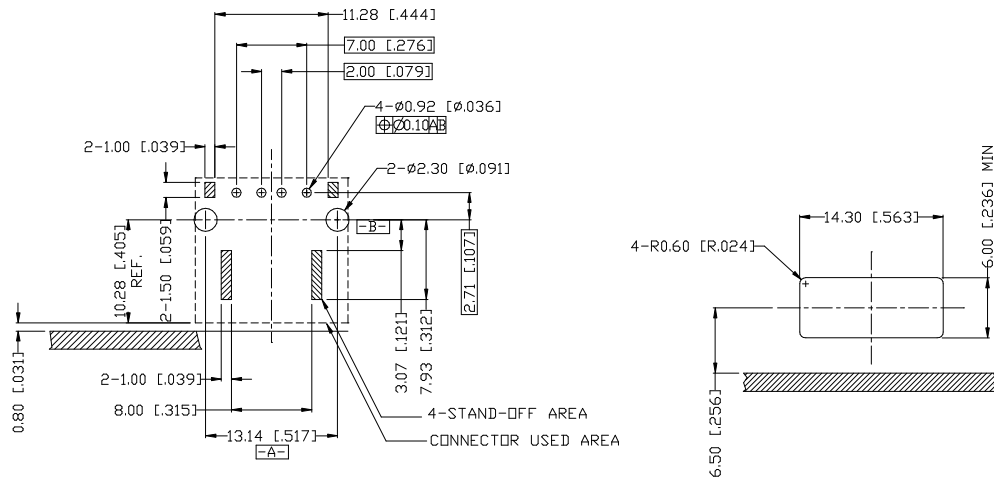
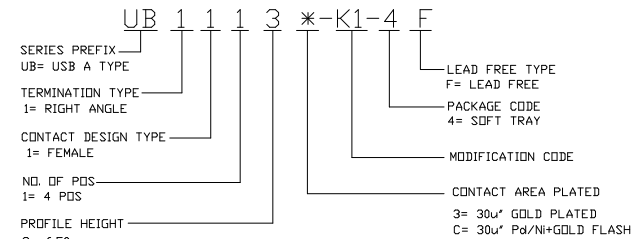
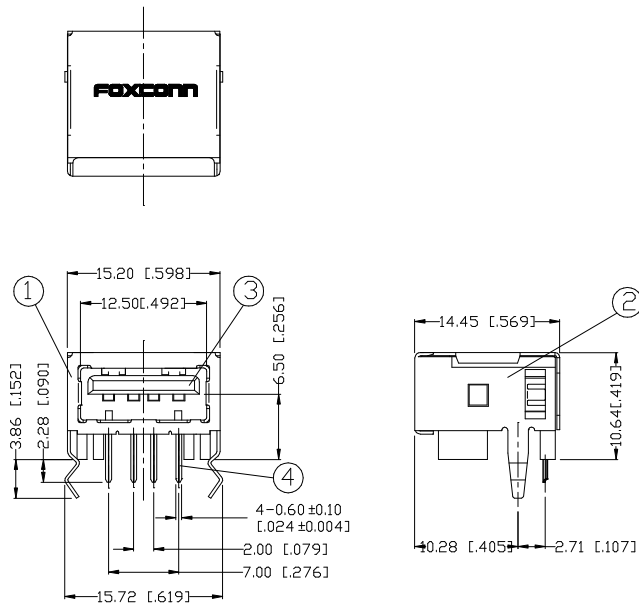


ERV.	ECN NO.	APPD.
A	BC05705736	Hao Gu
B	BC-07-7035817	Hao Gu

NOTES:

- ELECTRICAL CHARACTERISTICS :
 - CONTACT CURRENT RATING : 1.5 AMPERE.
 - LOW LEVEL CONTACT RESISTANCE : 30 MILLIOHMS MAX.
 - DIELECTRIC WITHSTANDING VOLTAGE : 500 V AC MIN.
 - INSULATION RESISTANCE : 1000 MEGOHMS MIN.
- MECHANICAL CHARACTERISTICS :
 - CONNECTOR ENGAGEMENT FORCE : 35N(3.5 KgF) MAX.
 - CONNECTOR SEPARATION FORCE : 10~35N(1.0~3.5 KgF) .
 - DURABILITY: 1500 CYCLES.
 - OPERATING TEMPERATURE : -55 TO +85°C
- SPECIFICATION MEETS USB STANDARD SPECIFICATION.
- RECOMMENDED PROCESS: WAVE SOLDER, PEAK TEMP. 260°C, 3~5 SECONDS.
- THE CONNECTOR IS ROHS COMPLIANT.



RECOMMENDED PC BOARD LAYOUT (COMPONENT SIDE VIEW)

RECOMMENDED PCB THICKNESS: 1.57±0.05[0.062±0.002].
DIMENSION TOLERANCE ±0.05 [0.002].

MOUNTING PANEL CUTOUT

(INTERNAL SIDE)

ITEM	DESCRIPTION	QTY	MATERIAL	FINISH	REMARK	
4	CONTACT	4	COPPER ALLOY	GOLD 30u" PLATED AT CONTACT AREA, LEAD FREE TIN ALLOY PLATED AT TERMINATION, NICKEL PLATED OVERALL.	UB11133-K1-4F	
				GOLD FLASH OVER Pd/Ni 30u" MIN. PLATED AT CONTACT AREA, LEAD FREE TIN ALLOY PLATED AT TERMINATION NICKEL PLATED OVERALL.	UB1113C-K1-4F	
3	INSULATOR	1	THERMOPLASTIC UL 94V-0	MOLDED BLACK		
2	REAR SHELL	1	COPPER ALLOY	LEAD FREE TIN ALLOY PLATED		
1	FRONT SHELL	1	COPPER ALLOY	LEAD FREE TIN ALLOY PLATED		
X.±		X°±	UNITS mm [INCH]	NAME (INTENDED USE)		
.X± 0.30 [0.012]		.X°±	MAT'L N/A	CUSTOMER		
.XX± 0.25 [0.010]		.XX°±	FINISH N/A	PART NO. (INTENDED USE)		
.XXX±		.XXX°±	Q'TY N/A	APPD: Edward Zheng 06/29/07		
THESE DRAWINGS AND SPECIFICATIONS ARE THE PROPERTY OF HON HAI PRECISION IND. CO., LTD. AND SHALL NOT BE REPRODUCED COPIED OR USED IN ANY MANNER WITHOUT THE PRIOR WRITTEN CONSENT OF HON HAI PRECISION IND. CO., LTD.			CHKD: Z.Q Mou 06/29/07		TITLE: CUSTOMER DRAWING USB, RECP, RT, SINGLE	
			DR: Hui Zhu 06/29/07		DWG NO.: 327-0000-1188	
			SCALE SHEET REV.		N/A 1/1 B	