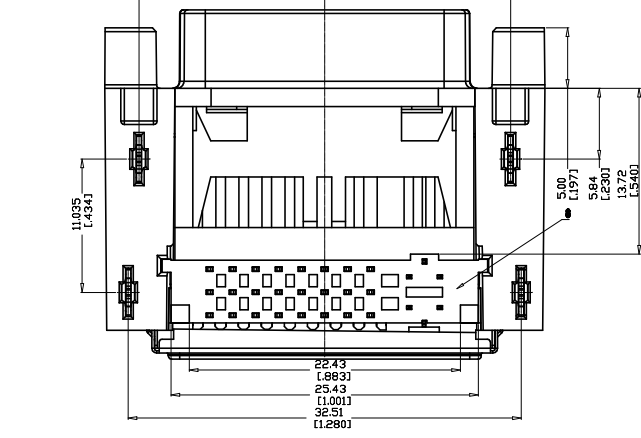
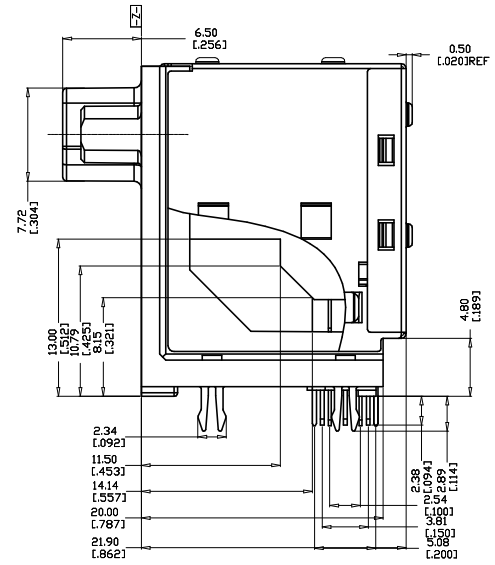
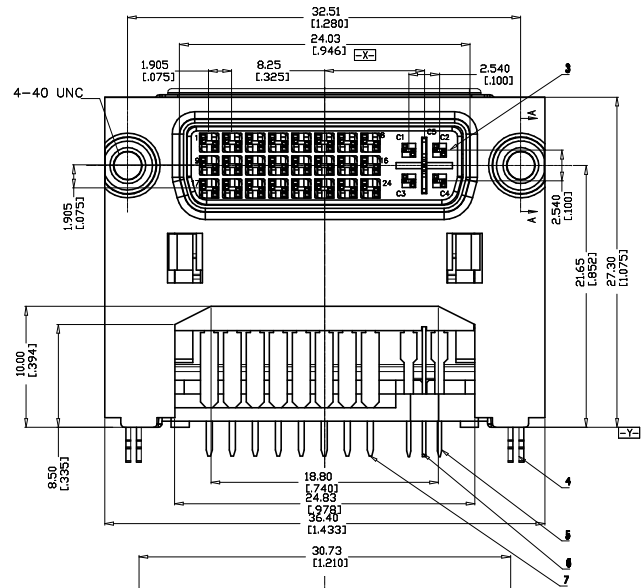
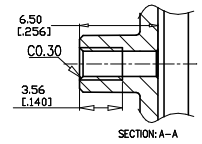
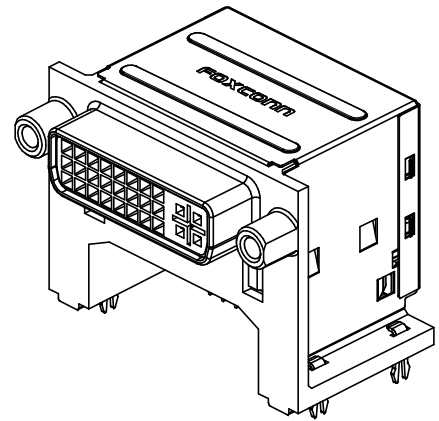
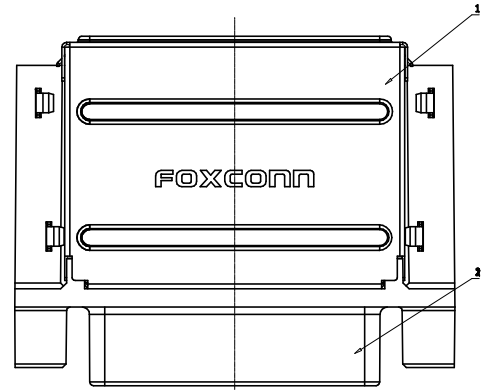


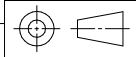
REV.	ECN. NO.	APPD.
A	BC-08-7085056	COREL
B	BC-09-7128084	COREL
C	BC-10-0071270	COREL
D	BC-10-0116320	COREL
E	BC-11-0130408	COREL

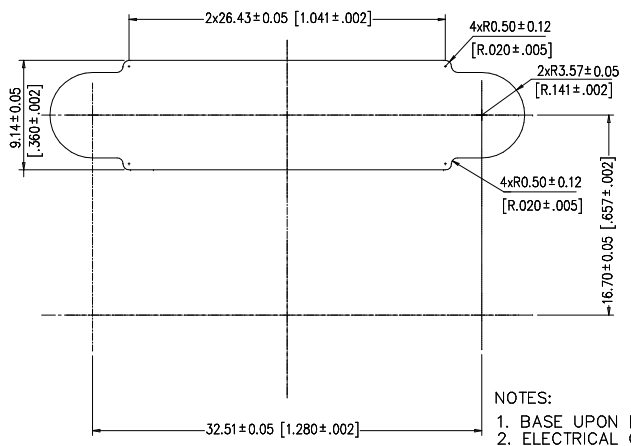
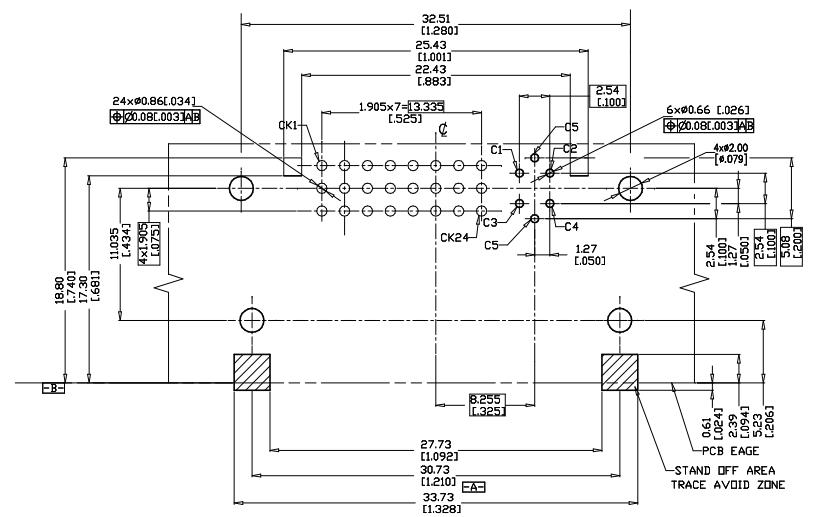


PART NO.: QH1112*-DAHF-4F

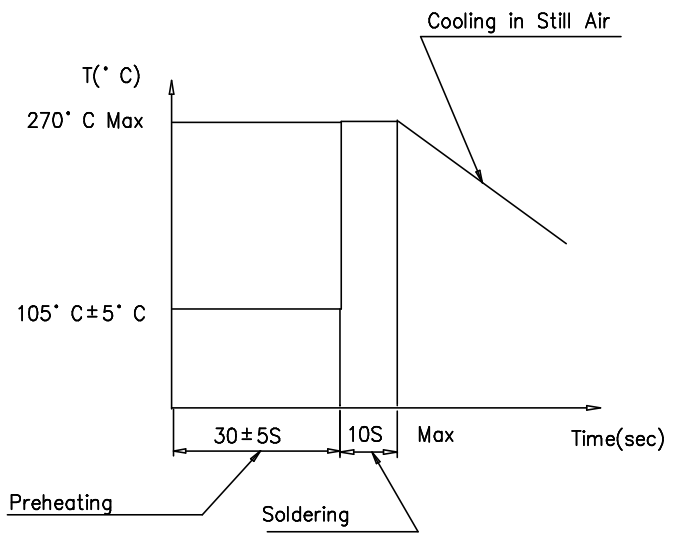
- EXTENSION CODE
- GOLD PLATED THICKNESS AT CONTACT AREA:
1 = GOLD FLASH
7 = GOLD PLATING 15u"
- NO. OF CONTACT POSITIONS:
12 = 24 POS.(FOR DIGITAL CONTACT)
- TERMINATION TYPE:
1 = FEMALE
- BODY TYPE:
1 = RIGHT ANGLE PCB MOUNT

X. ±	X' ±	UNITS mm [INCH]	NAME (INTENDED USE)	FOXCONN HON HAI PRECISION IND. CO., LTD. TAIPEI, TAIWAN, R.O.C.
.X ± 0.35 [0.014]	.X' ±	MAT'L	CUSTOMER	
.XX ± 0.25 [0.010]	.XX' ±	N/A	PART NO. (INTENDED USE)	TITLE:
.XXX ± 0.25 [0.010]	.XXX' ±	FINISH	QH1112*-DAHF-4F	DVI-I HIGH RISE
THESE DRAWINGS AND SPECIFICATIONS ARE THE PROPERTY OF HON HAI PRECISION IND. CO., LTD. AND SHALL NOT BE REPRODUCED COPIED OR USED IN ANY MANNER WITHOUT THE PRIOR WRITTEN CONSENT OF HON HAI PRECISION IND. CO., LTD.			APPD: Corel Zhu 11/26'11	DWG NO.: 301-0000-1789
			Q'TY N/A	CHKD: J.W. Gu 11/26'11
			DR: J.M. Luo 11/26'11	SCALE SHEET REV. 1: 1 1/2 E





- NOTES:
- BASE UPON DDWG DVI REV. 1.0 STANDARD.
 - ELECTRICAL CHARACTERISTICS:
 - CONTACT CURRENT RATING: 1.5 A.
 - APPLIED VOLTAGE RATING: 40 V(RMS) MAXIMUM.
 - CONTACT RESISTANCE:
 - INITIAL: 40 MILLIOHMS MAXIMUM., PER CONTACT MATED PAIR;
 - AFTER CONDITIONING: 50 MILLIOHMS MAXIMUM.
 - DIELECTRIC WITHSTANDING VOLTAGE: 500±50 V DC.
 - INSULATION RESISTANCE: 1 GEGAOMH MINIMUM.
 - MECHANICAL CHARACTERISTICS:
 - CONNECTOR MATING & UNMATING FORCES:
 - MATING FORCE: 44.1N [4.5 Kgf] MAXIMUM.
 - UNMATING FORCE: 9.8~39.2N [1~4 Kgf].
 - DURABILITY: 100 CYCLES.
 - TEMPERATURE RATING: -20~85°C.
 - ENDURANT TWISTING FORCE OF THE SCREW: 0.4N-m [4Kgf-cm] MAX.
 - CONTACT RETENTION FORCE: 4.9N [0.5Kgf] MINIMUM.
 - ROHS COMPLIANT



ITEM	DESCRIPTION	Q'TY	MATERIAL	TREATMENT	REMARK
8	SPACER	1	THERMOPLASTIC UL 94V-0	MOLDED COLOR: IVORY	
7	DVI DIGITAL CONTACT	24	COPPER ALLOY	NICKEL UNDERPLATED; GOLD FLASH PLATED AT CONTACT AREA; TIN ALLOY PLATED AT SOLDER TAIL	
6	DVI GROUND BLADE	1			
5	DVI ANALOG CONTACT	4			
4	BOARD LOCK	4	COPPER ALLOY	TIN PLATED	
3	Upper Housing	1	THERMOPLASTIC UL 94V-0	MOLDED COLOR: BLUE	
2	BRACKET	1	ZINC ALLOY	TIN PLATED	
1	REAR SHELL	1	COPPER ALLOY	NICKEL PLATED	

X.	±	X'.	±	UNITS	NAME (INTENDED USE)	FOXCONN
.X	±	.X'	±	mm [INCH]	CUSTOMER	HON HAI PRECISION IND. CO., LTD. TAIPEI, TAIWAN, R.O.C.
.XX	±	.XX'	±	N/A		
.XXX	±	.XXX'	±	FINISH	PART NO. (INTENDED USE)	TITLE:
				N/A	QH1112*-DAHf-4F	DVI-I HIGH RISE
				Q'TY	APPD: Corel Zhu 11/26'11	DWG NO.:
				N/A	CHKD: J.W. Gu 11/26'11	301-0000-1789
					DR: J.M. Luo 11/26'11	

THESE DRAWINGS AND SPECIFICATIONS ARE THE PROPERTY OF HON HAI PRECISION IND. CO., LTD. AND SHALL NOT BE REPRODUCED COPIED OR USED IN ANY MANNER WITHOUT THE PRIOR WRITTEN CONSENT OF HON HAI PRECISION IND. CO., LTD.

SCALE	SHEET	REV.
1: 1	2/2	E