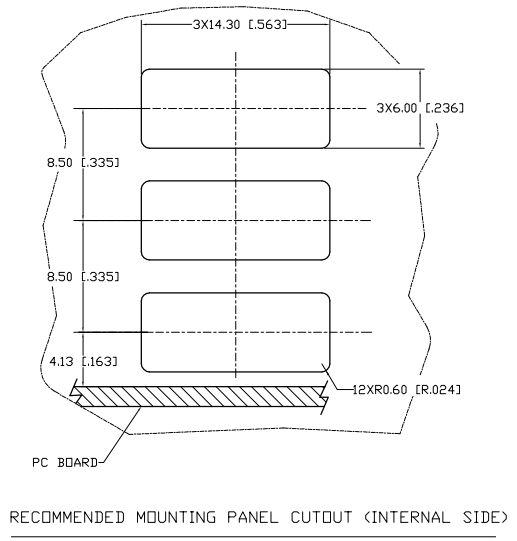
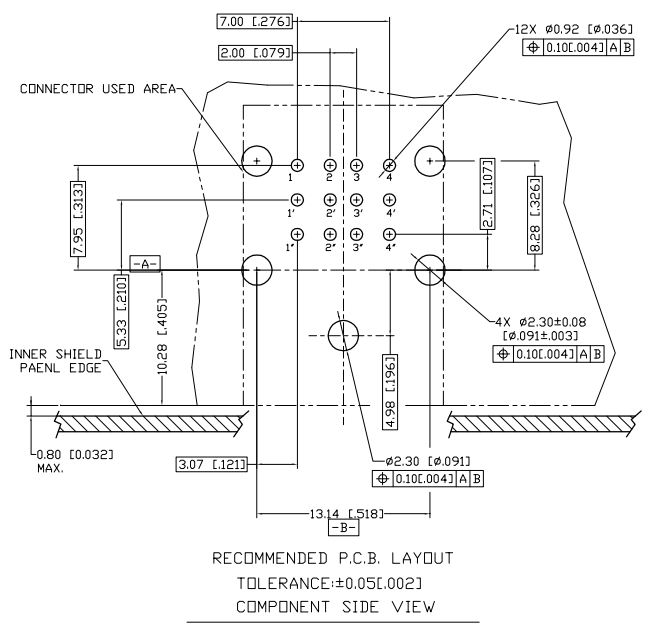
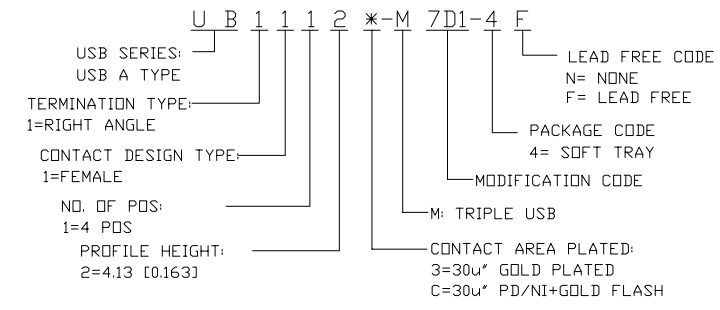
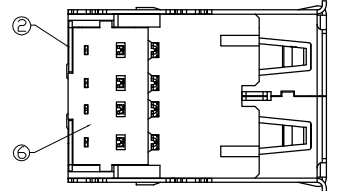
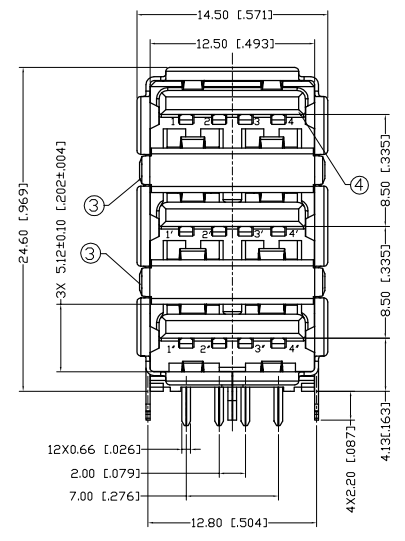
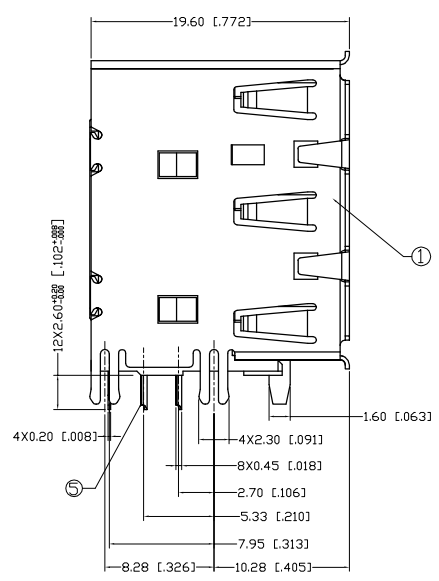


REV.	ECN. NO.	APPD.
A	BC-11-0050833	Adward

NOTES:

- ELECTRICAL CHARACTERISTICS :
  - CONTACT CURRENT RATING : 1.5 AMPERE.
  - CONTACT RESISTANCE : 30 MILLIOHMS MAX.
  - DIELECTRIC WITHSTANDING VOLTAGE : 500 VAC MIN.
  - INSULATION RESISTANCE : 1000 MEGOHMS MIN.
  - EVERY PORT CAN WITHSTAND 2.5A CURRENT SEPARATELY WHILE THE ΔT DOESN'T EXCEED +30°C AT ANY POINT IN THE USB CONNECTOR.
- MECHANICAL CHARACTERISTICS :
  - CONNECTOR MATING FORCE : 35N(3.5Kgf) MAX.
  - CONNECTOR UNMATING FORCE : 10~35N(1.0~3.5Kgf).
  - DURABILITY: 1500 CYCLES.
  - OPERATING TEMPERATURE : -55°C TO +85°C
- RECOMMENDED P.C.B. THICKNESS: 1.60±0.05[.063±.002]
- SPECIFICATION MEETS USB 2.0 STANDARD SPECIFICATION.
- RECOMMENDED PROCESS: WAVE SOLDER, PEAK TEMP. 265±5°C 10 SECONDS.
- THE PRODUCT IS ROHS COMPLIANT.



ITEM	DESCRIPTION	QTY	MATERIAL	TREATMENT
1	FRONT SHELL	1	COPPER ALLOY	NI PLATED OVRALL, BUT HOOKS PLATED SN ALLOY (LEAD FREE)
2	REAR SHELL	1	COPPER ALLOY	NI PLATED
3	FINGERS	2	STAINLESS STEEL	WASH
4	HOUSING	1	THERMOPLASTIC UL 94V-0	MOLDED BLACK
5	CONTACT	12	COPPER ALLOY	AU PLATING AT CONTACT AREA, SN ALLOY (LEAD FREE) AT SOLDER AREA, NICKEL UNDERPLATED OVERALL.
6	SPACER	1	THERMOPLASTIC UL 94V-0	MOLDED BLACK

×±	×°±	UNITS mm (inch)	NAME (INTENDED USE)	<b>FOXCONN</b> HON HAI PRECISION IND. CO., LTD. TAIPEI, TAIWAN, R.O.C.
.X±	.X°±	MAT'L	CUSTOMER	
.XX± [.025 [.010]	.XX°±	N/A	PART NO. (INTENDED USE)	TITLE:
.XXX±	.XXX°±	FINISH	UB1112*-M7D1-4F	TRIPLE USB RECEPTACLE
		N/A	APPD: Jesse Wang 5/12'11	DWG NO:
		Q'TY	CHKD: F.H. Shu 5/12'11	327-0000-2407
		N/A	DR: C.Y. Zhai 5/12'11	SCALE SHEET REV.
				N/A 1/1 A

THESE DRAWINGS AND SPECIFICATIONS ARE THE PROPERTY OF HON HAI PRECISION IND. CO., LTD. AND SHALL NOT BE REPRODUCED, COPIED OR USED IN ANY MANNER WITHOUT THE PRIOR WRITTEN CONSENT OF HON HAI PRECISION IND. CO., LTD.