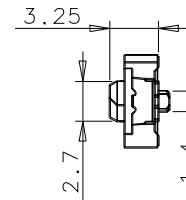
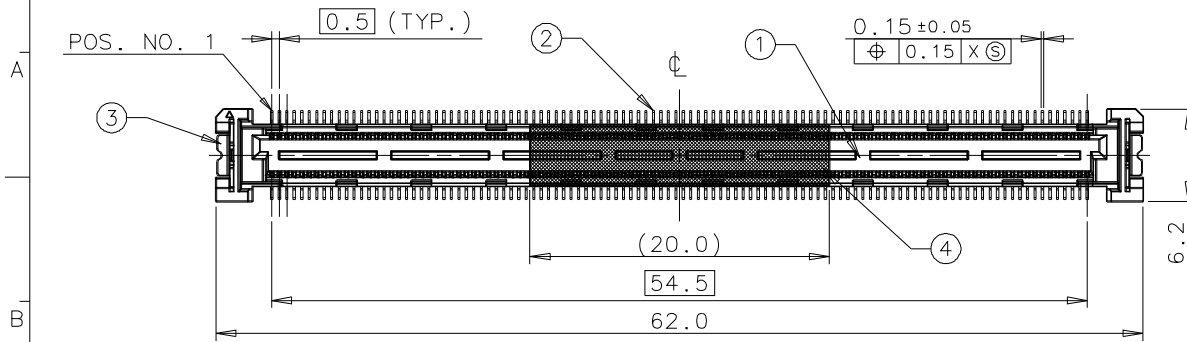
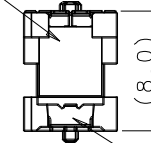


IDEAS GENERATED DRAWING, DON'T CHANGE BY HAND.

REV.	ECN. NO.	APPD.
A	BC-08-7139991	H.C. YU

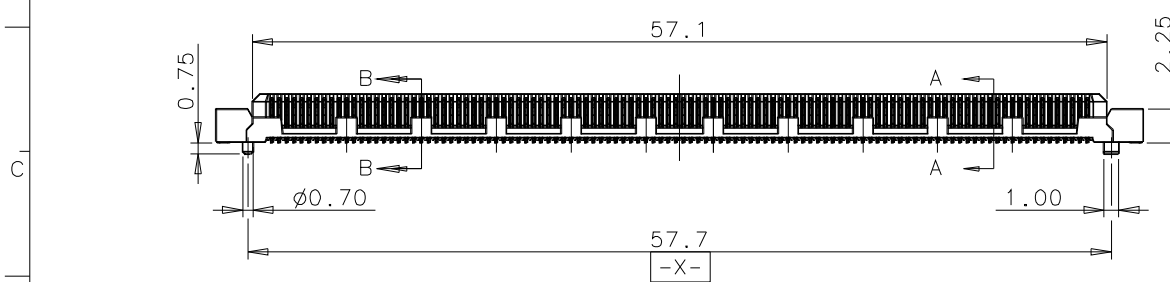


PLUG CONNECTOR
P/N: QT002206-4131-**

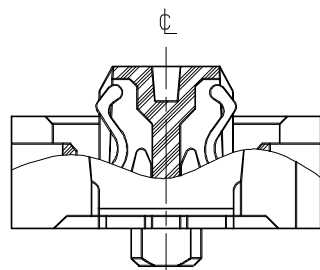


REC. CONNECTOR
P/N: QT012206-1031-**

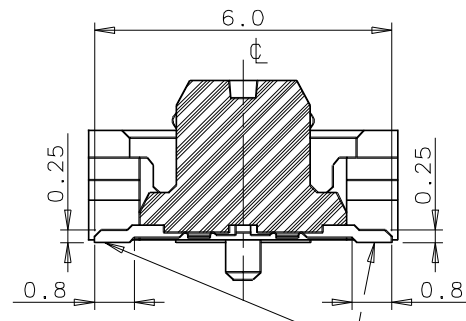
MATED CONDITION



- NOTES:
1. DIMENSION SHOULD BE INTERPRETED PER ASME Y14.5M-1994.
 2. ELECTRICAL CHARACTERISTICS:
 - 2-1. CONTACT CURRENT RATING: 0.5A MAX. PER CONTACTS.
 - 2-2. DIELECTRIC WITHSTANDING VOLTAGE: 200 VAC RMS FOR 1 MINUTE.
 - 2-3. LOW LEVEL CONTACT RESISTANCE: 55mΩ MAX. (INITIAL)
75mΩ MAX. (AFTER)
 3. MECHANICAL CHARACTERISTICS:
 - 3-1. TOTAL INSERTION FORCE: 20.0KGF MAX.
 - 3-2. TOTAL WITHDRAWAL FORCE: 2.2KGF MIN.
 - 3-3. DURABILITY: 30 MATING CYCLES.
 - 3-4. OPERATING TEMPERATURE: -40°C TO +85°C.
 4. PLEASE CONTACT FOXCONN SALES REPRESENTATIVE TO VERIFY PRODUCT DETAIL & AVAILABILITY.



SECTION B-B



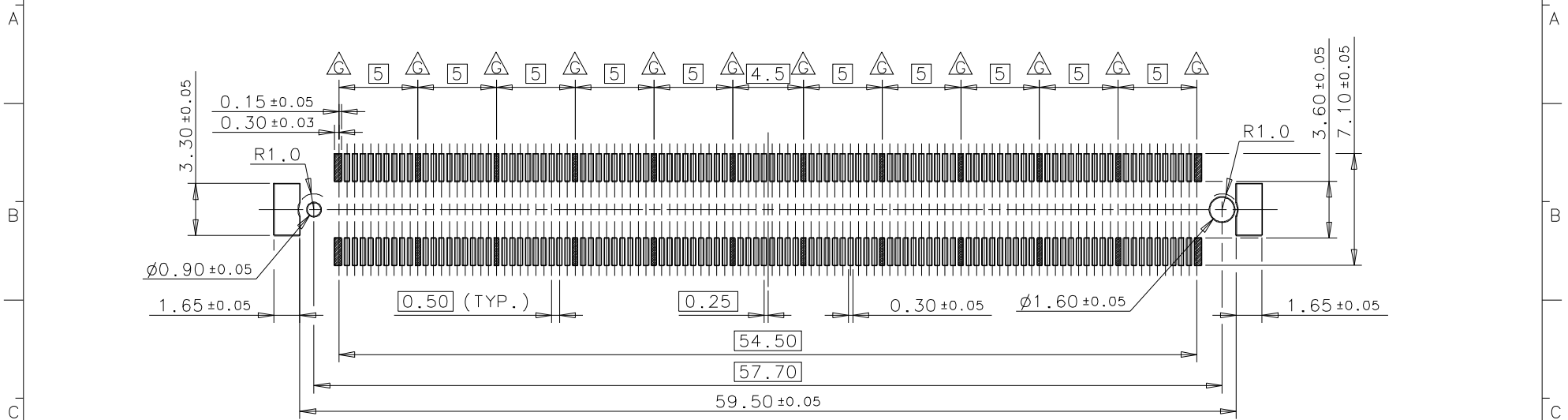
(INCLUDING ALL CONTACT TAILS & SOLDER PADS)

SECTION A-A

④	PI-FILM	POLYSTYRENE	1	
③	METAL EAR	COPPER ALLOY	2	Sn PLATING ON SOLDER AREA
②	CONTACT	COPPER ALLOY	220	Au PLATING ON CONTACT AREA Au PLATING ON SOLDER AREA
①	HOUSING	THERMOPLASTIC	1	COLOR: BLACK ,UL94V-0
ITEM	DESCRIPTION	MATERIAL	QTY	REMARK
x. ± 0.25	x. ° ± 3.0°	UNITS mm	NAME (INTENDED USE) 0.5P 220POS. REC. H=3.25mm BTB CONN.	
.x ± 0.20	.x ° ± 1.5°	MAT'L	FOXCONN HON HAI PRECISION IND. CO., LTD. TAIPEI, TAIWAN, R.O.C.	
.xx ± 0.15	.xx ° ±		PART NO. (INTENDED USE) QT012206-1031-2H	TITLE: CUSTOMER DRAWING
.xxx ±	.xxx ° ±	FINISH	APPD: H.C. Yu 11/04'08	DWG NO.: 323-0000-1582
THESE DRAWINGS AND SPECIFICATIONS ARE THE PROPERTY OF HON HAI PRECISION IND. CO., LTD. AND SHALL NOT BE REPRODUCED, COPIED OR USED IN ANY MANNER WITHOUT THE PRIOR WRITTEN CONSENT OF HON HAI PRECISION IND. CO., LTD.			Q'TY	CHKD: C.F. Chen 11/04'08
				DR: Artson Shiu 11/04'08
			SCALE	SHEET
			N/A	1/3
			REV.	A

IDEAS GENERATED DRAWING, DON'T CHANGE BY HAND.

REV.	ECN. NO.	APPD.



REFERENCE PCB LAYOUT

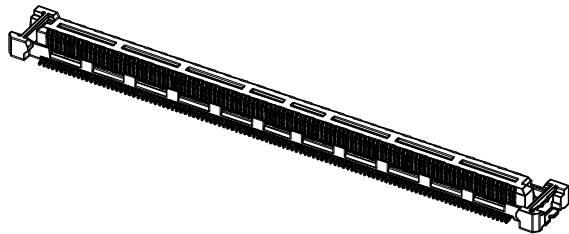
QT012206-1031-2H

POS. NO. _____
220: 220POS.

PLATING CODE _____
6: GOLD PLATING ON CONTACT AREA

HALOGEN FREE CODE
H: HALOGEN FREE

PACKAGE CODE
8: HARD TRAY
w/ PI-FILM

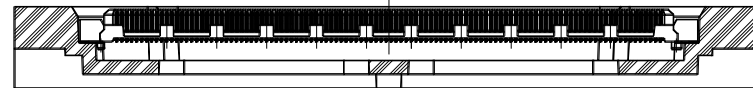
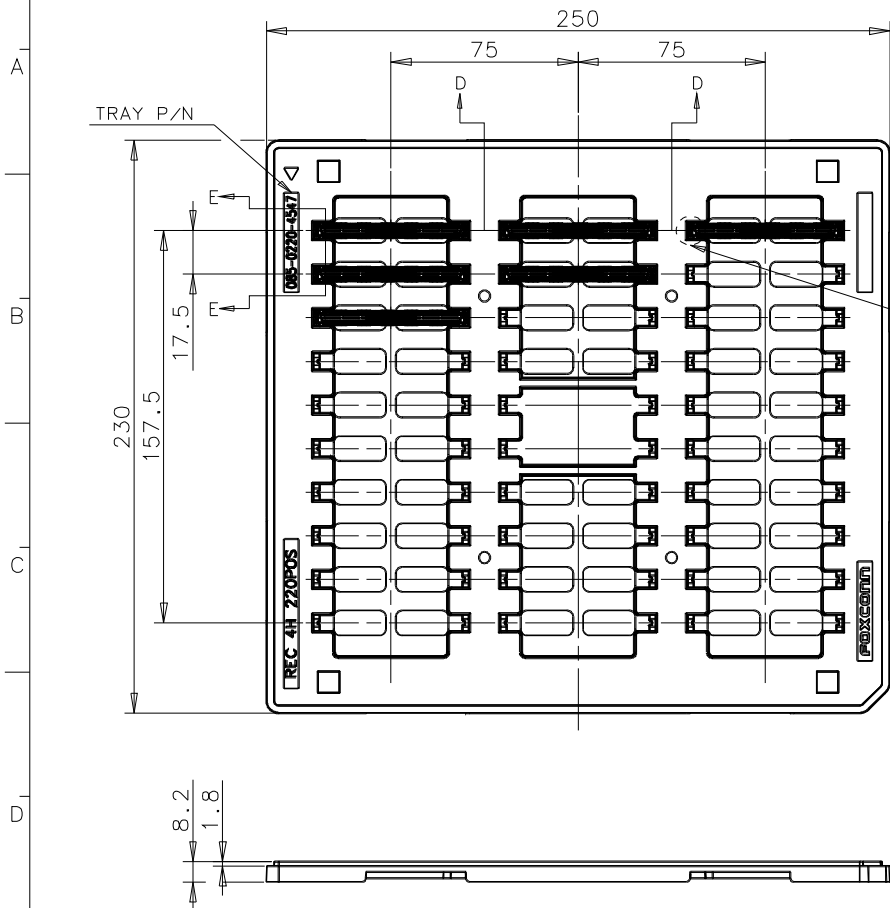


ISO VIEW (REFERENCE ONLY)

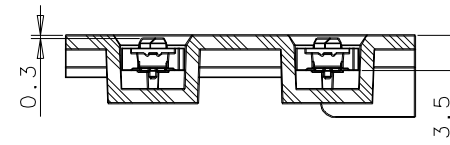
x. ± 0.25	x.° ± 3.0°	UNITS mm	NAME (INTENDED USE) 0.5P 220POS. REC. H=3.25mm BTB CONN.	FOXCONN HON HAI PRECISION IND. CO., LTD. TAIPEI, TAIWAN, R.O.C.
.x ± 0.20	.x° ± 1.5°	MAT'L	PART NO. (INTENDED USE) QT012206-1031-2H	TITLE: CUSTOMER DRAWING
.xx ± 0.15	.xx° ±	FINISH	APPD: H.C. Yu 11/04'08	DWG NO.: 323-0000-1582
.xxx ±	.xxx° ±	Q'TY	CHKD: C.F. Chen 11/04'08	SCALE SHEET REV. N/A 2/3 A
THESE DRAWINGS AND SPECIFICATIONS ARE THE PROPERTY OF HON HAI PRECISION IND. CO., LTD. AND SHALL NOT BE REPRODUCED, COPIED OR USED IN ANY MANNER WITHOUT THE PRIOR WRITTEN CONSENT OF HON HAI PRECISION IND. CO., LTD.			DR: Artson Shiu 11/04'08	

IDEAS GENERATED DRAWING, DON'T CHANGE BY HAND.

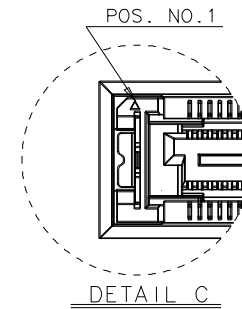
REV.	ECN. NO.	APPD.
------	----------	-------



SECTION D-D



SECTION E-E



DETAIL C

NOTES:
1. PACKAGE NUMBER OF CONECTORS : 30 PCS/TRAY.

x. ± 0.30	x. ° ±	UNITS mm	NAME (INTENDED USE) 0.5P 220POS. REC. H=3.25mm BTB CONN.	FOXCONN HON HAI PRECISION IND. CO., LTD. TAIPEI, TAIWAN, R.O.C.						
.x ± 0.30	.x ° ±	MAT'L	PART NO. (INTENDED USE) QT012206-1031-2H	TITLE: CUSTOMER DRAWING						
.xx ± 0.30	.xx ° ±	FINISH	APPD: H.C. Yu 11/04'08	DWG NO.: 323-0000-1582						
.xxx ±	.xxx ° ±		Q'TY	CHKD: C.F. Chen 11/04'08	DR: Artson Shiu 11/04'08					
THESE DRAWINGS AND SPECIFICATIONS ARE THE PROPERTY OF HON HAI PRECISION IND. CO., LTD. AND SHALL NOT BE REPRODUCED, COPIED OR USED IN ANY MANNER WITHOUT THE PRIOR WRITTEN CONSENT OF HON HAI PRECISION IND. CO., LTD.			<table border="1"> <tr> <td>SCALE</td> <td>SHEET</td> <td>REV.</td> </tr> <tr> <td>N/A</td> <td>3/3</td> <td>A</td> </tr> </table>		SCALE	SHEET	REV.	N/A	3/3	A
SCALE	SHEET	REV.								
N/A	3/3	A								