

# CBN (5.5 V) 系列 Coin Cell Series



## Introduction

- ❖  $\varnothing 12.5 \varnothing 11.5$  Coin Standard type
- ❖ Able to be used at wide temperature from  $-25^{\circ}\text{C}$  to  $+70^{\circ}\text{C}$
- ❖ Long life Endurance : 1,000 hours at  $+70^{\circ}\text{C}$
- ❖ RoHS directive compliant

## Applications

- ❖ Memory back-up for video and audio equipment, cameras, printers, flash, tuners, TV, rice cookers and remote controls



C-TYPE V-TYPE H-TYPE

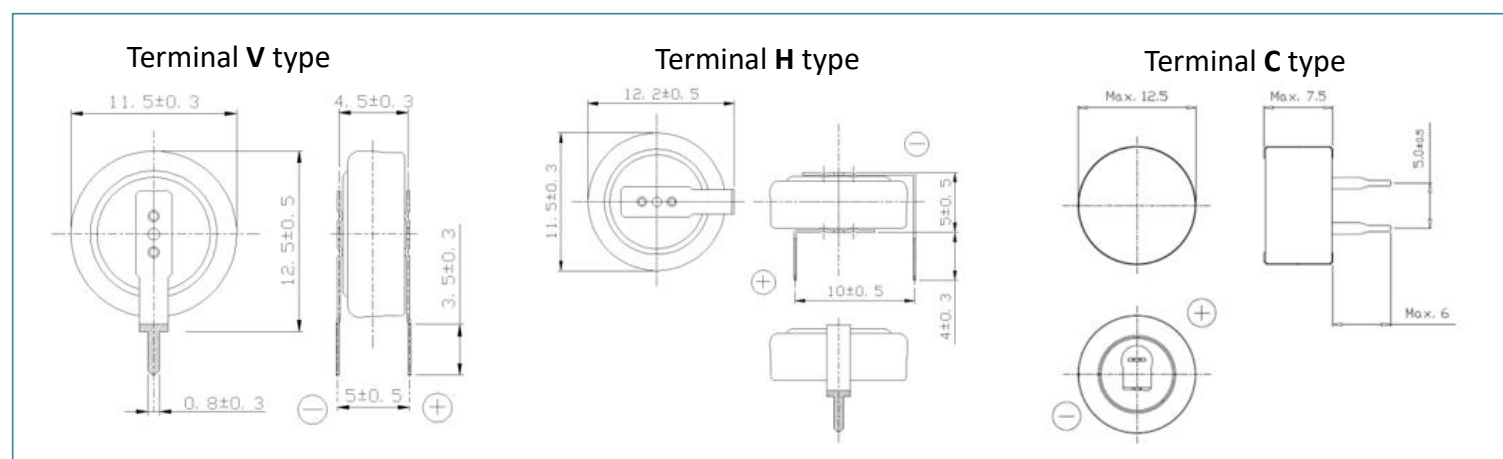
## Specifications

Operating Temperature range	$-25^{\circ}\text{C}$ to $+70^{\circ}\text{C}$			
Working Voltage	5.5 V DC			
Nominal capacitance & Resistance	Nominal capacitance (F)	0.22	0.33	0.47
	Nominal resistance ( $\Omega$ )	40	40	40
Capacitance tolerance	- 20% to + 50%			
Characteristic at high and low temperature	Capacitance change	Within $\pm 30\%$ of the value at $+20^{\circ}\text{C}$		
	Internal resistance change	Less than five times of the value at $+20^{\circ}\text{C}$		
Endurance	Test time	1,000 (hours)		
	Capacitance change	Within $\pm 30\%$ of the initial measured value		
	Internal resistance change	Less than four times of the initial specified value		
Shelf life	Same as endurance (Test time : 1,000 hours)			

## Part number system

<u>CBN</u>	<u>5R5</u>	<u>224</u>	<u>H</u>	<u>F</u>	<u>*</u>
Series code	Rated Voltage	Nominal Capacitance	Terminal Type	Additional Symbol ROHS	SPECIAL CODE

## Dimensions in mm (not to scale)



## Standard Products

Series	Working Voltage (V DC)	Capacitance (F)	Capacitance tolerance (F)	Temperature range ( $^{\circ}\text{C}$ )	Internal resistance ( $\Omega$ ) at 1 kHz	Recommended discharge current ( $\mu\text{A}$ )	CDA Part number	Terminal Type	Min. Packaging q'ty (pcs)
CBN	5.5	0.22	0.176 to 0.396	$-25\sim+70$	40 $\Omega$ or less	300 $\mu\text{A}$ Or less	CBN 5R5 224 ( )	V, H, C	200
CBN	5.5	0.33	0.264 to 0.594	$-25\sim+70$	40 $\Omega$ or less	300 $\mu\text{A}$ Or less	CBN 5R5 334 ( )	V, H, C	200
CBN	5.5	0.47	0.397 to 0.614	$-25\sim+70$	40 $\Omega$ or less	500 $\mu\text{A}$ Or less	CBN 5R5 474 ( )	V, H, C	200

Design, and specifications are each subject to change without notice. Ask factory for the current technical specifications before purchase and / or use.

Should a safety concern arise regarding this product, please be sure to contact us immediately.

