

CEN (5.5V) 系列 Coin Cell Series



Introduction

- ❖ $\varnothing 25 \varnothing 20 \varnothing 18.5$ Coin Standard type
- ❖ Able to be used at wide temperature from -25°C to 70°C
- ❖ Long life Endurance : 1,000 hours at $+70^{\circ}\text{C}$
- ❖ RoHS directive compliant

Applications

- ❖ Memory back-up for video and audio equipment, cameras, flash, tuners, TV, rice cookers and remote controls



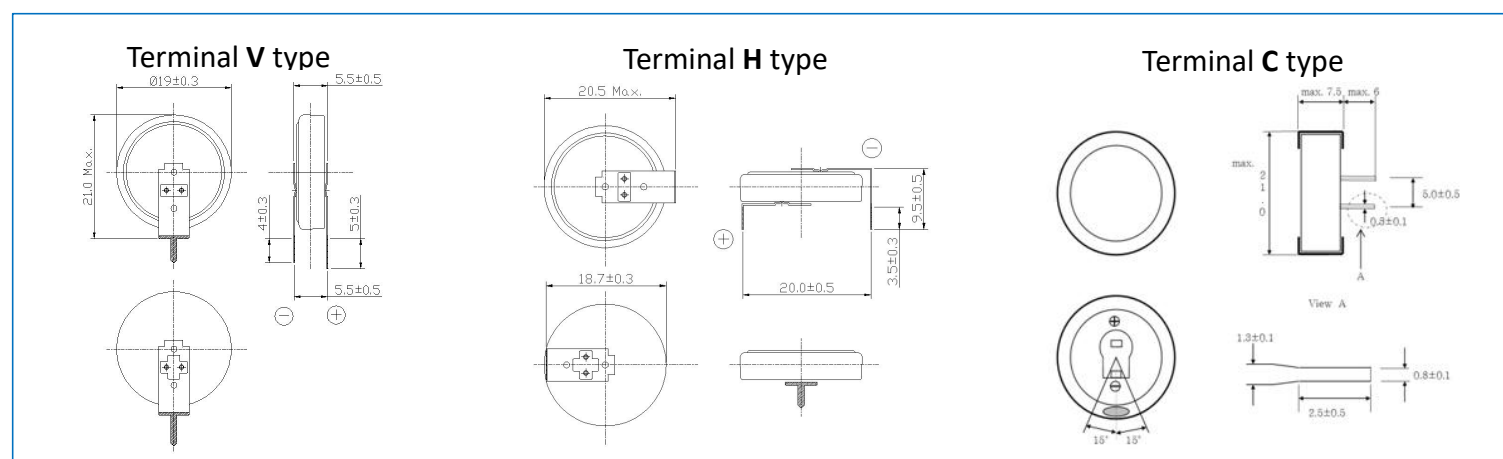
Specifications

Operating Temperature range	-25°C to 70°C						
Working Voltage	5.5 V DC						
Nominal capacitance & Resistance	Nominal capacitance (F)	0.47	1.0	1.5	2.0	4.0	5.0
	Nominal resistance (Ω)	15	15	15	15	10	10
Capacitance tolerance	- 20% to + 50% ; - 20% to + 80%						
Characteristic at high and low temperature	Capacitance change	Within $\pm 30\%$ of the value at $+20^{\circ}\text{C}$					
	Internal resistance change	Less than five times of the value at $+20^{\circ}\text{C}$					
Endurance	Test time	1,000 (hours)					
	Capacitance change	Within $\pm 30\%$ of the initial measured value					
	Internal resistance change	Less than four times of the initial specified value					
Shelf life	Same as endurance (Test time : 1,000 hours)						

Part number system

<u>CEN</u>	<u>5R5</u>	<u>474</u>	<u>H</u>	<u>F</u>	<u>*</u>
Series code	Rated Voltage	Nominal Capacitance	Terminal Type	Additional Symbol ROHS	SPECIAL CODE

Dimensions in mm (not to scale)



Standard Products

Series	Working Voltage (V DC)	Capacitance (F)	Capacitance tolerance (F)	Temperature range ($^{\circ}\text{C}$)	Internal resistance (Ω) at 1 kHz	Recommended discharge current (mA)	CDA Part number	Terminal Type	Min. Packaging q'ty (pcs)
CEN	5.5	0.47	0.376 to 1.41	-25~+70	15 Ω or less	1 mA Or less	CEN 5R5 474 ()	V, H, C	500
CEN	5.5	1.0	0.80 to 1.80	-25~+70	15 Ω or less	1 mA Or less	CEN 5R5 105 ()	V, H, C	500
CEN	5.5	1.5	1.20 to 2.70	-25~+70	15 Ω or less	1 mA Or less	CEN 5R5 155 ()	V, H, C	500
CEN	5.5	2.0	1.70 to 3.05	-25~+70	15 Ω or less	2 mA Or less	CEN 5R5 205 ()	V, H, C	500
CEN	5.5	4.0	3.08 to 4.12	-25~+70	10 Ω or less	3 mA Or less	CEN 5R5 405 ()	V, H	350
CEN	5.5	5.0	4.04 to 5.20	-25~+70	10 Ω or less	3 mA Or less	CEN 5R5 505 ()	V, H	350

Design, and specifications are each subject to change without notice. Ask factory for the current technical specifications before purchase and / or use.

Should a safety concern arise regarding this product. please be sure to contact us immediately.

