

## Introduction

- ❖  $\varnothing 12.5 \varnothing 11.5$  Coin Standard type
- ❖ Able to be used at wide temperature from  $-25^{\circ}\text{C}$  to  $70^{\circ}\text{C}$
- ❖ RoHS directive compliant

## Applications

- ❖ Memory back-up for video and audio equipment, cameras, printers, flash, tuners, TV, rice cookers and remote controls



C-TYPE



V-TYPE



H-TYPE

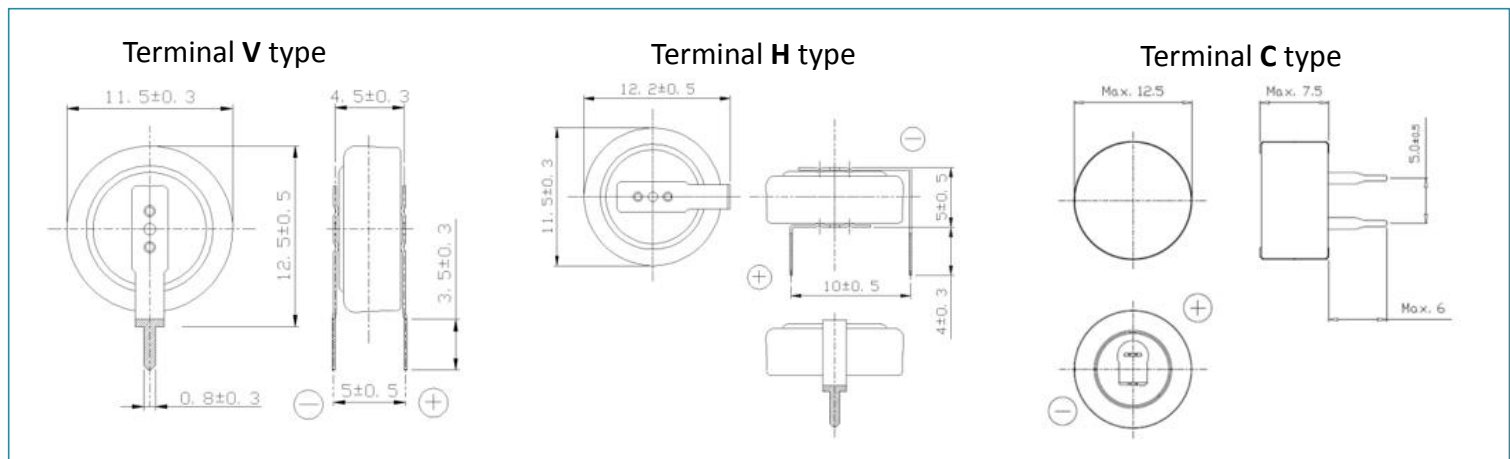
## Specifications

Operating Temperature range	$-25^{\circ}\text{C}$ to $70^{\circ}\text{C}$						
Working Voltage	5.5 V DC						
Nominal capacitance & Resistance	Nominal capacitance (F)	0.022	0.047	0.1	0.22	0.33	0.47
	Nominal resistance ( $\Omega$ )	75	75	75	75	50	50
Capacitance tolerance	- 20% to + 80%						
Characteristic at high and low temperature	Capacitance change	Within $\pm 30\%$ of the value at $+20^{\circ}\text{C}$					
	Internal resistance change	Less than five times of the value at $+20^{\circ}\text{C}$					
Endurance	Test time	1,000 (hours)					
	Capacitance change	Within $\pm 30\%$ of the initial measured value					
	Internal resistance change	Less than four times of the initial specified value					
Shelf life	Same as endurance (Test time : 1,000 hours)						

## Part number system

CB	5R5	223	H	F	*
Series code	Rated Voltage	Nominal Capacitance	Terminal Type	Additional Symbol ROHS	

## Dimensions in mm (not to scale)



## Standard Products

Series	Working Voltage (V DC)	Capacitance (F)	Capacitance tolerance (F)	Temperature range ( $^{\circ}\text{C}$ )	Internal resistance ( $\Omega$ ) at 1 kHz	Recommended discharge current ( $\mu\text{A}$ )	Part number	Terminal Type	Min. Packaging q'ty (pcs)
CB	5.5	0.022	0.0176 to 0.0396	$-25^{\circ}\text{C} \sim +70^{\circ}\text{C}$	150 $\Omega$ or less	200 $\mu\text{A}$ Or less	CB 5R5 223 ( )	V, H, C	200
CB	5.5	0.047	0.0376 to 0.0846	$-25^{\circ}\text{C} \sim +70^{\circ}\text{C}$	120 $\Omega$ or less	200 $\mu\text{A}$ Or less	CB 5R5 473 ( )	V, H, C	200
CB	5.5	0.1	0.080 to 0.180	$-25^{\circ}\text{C} \sim +70^{\circ}\text{C}$	75 $\Omega$ or less	300 $\mu\text{A}$ Or less	CB 5R5 104 ( )	V, H, C	200
CB	5.5	0.22	0.176 to 0.396	$-25^{\circ}\text{C} \sim +70^{\circ}\text{C}$	75 $\Omega$ or less	300 $\mu\text{A}$ Or less	CB 5R5 224 ( )	V, H, C	200
CB	5.5	0.33	0.264 to 0.594	$-25^{\circ}\text{C} \sim +70^{\circ}\text{C}$	50 $\Omega$ or less	300 $\mu\text{A}$ Or less	CB 5R5 334 ( )	V, H, C	200
CB	5.5	0.47	0.397 to 0.614	$-25^{\circ}\text{C} \sim +70^{\circ}\text{C}$	50 $\Omega$ or less	400 $\mu\text{A}$ Or less	CB 5R5 474 ( )	V, H, C	200