

Introduction

- ❖ $\varnothing 12.5 \varnothing 11.5$ Coin Standard type
- ❖ Able to be used at wide temperature from -25°C to 70°C
- ❖ RoHS directive compliant

Applications

- ❖ Memory back-up for video and audio equipment, cameras, printers, flash, tuners, TV, rice cookers and remote controls



C-TYPE



V-TYPE



H-TYPE

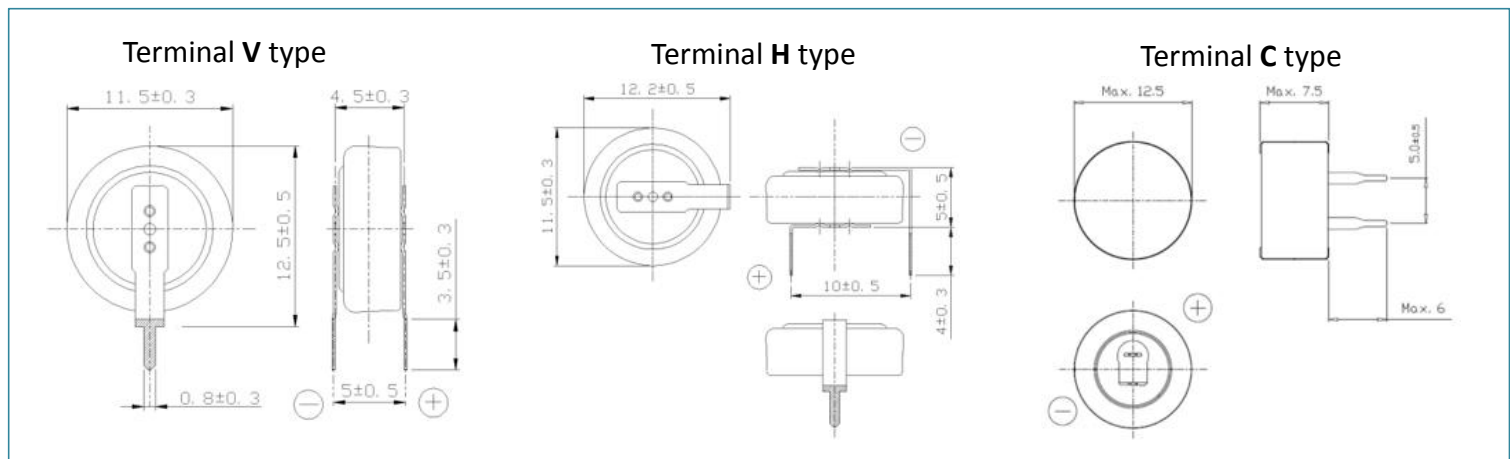
Specifications

Operating Temperature range	-25°C to 70°C						
Working Voltage	5.5 V DC						
Nominal capacitance & Resistance	Nominal capacitance (F)	0.022	0.047	0.1	0.22	0.33	0.47
	Nominal resistance (Ω)	75	75	75	75	50	50
Capacitance tolerance	- 20% to + 80%						
Characteristic at high and low temperature	Capacitance change	Within $\pm 30\%$ of the value at $+20^{\circ}\text{C}$					
	Internal resistance change	Less than five times of the value at $+20^{\circ}\text{C}$					
Endurance	Test time	1,000 (hours)					
	Capacitance change	Within $\pm 30\%$ of the initial measured value					
	Internal resistance change	Less than four times of the initial specified value					
Shelf life	Same as endurance (Test time : 1,000 hours)						

Part number system

<u>CB</u>	<u>5R5</u>	<u>223</u>	<u>H</u>	<u>F</u>	<u>*</u>
Series code	Rated Voltage	Nominal Capacitance	Terminal Type	Additional Symbol ROHS	

Dimensions in mm (not to scale)



Standard Products

Series	Working Voltage (V DC)	Capacitance (F)	Capacitance tolerance (F)	Temperature range ($^{\circ}\text{C}$)	Internal resistance (Ω) at 1 kHz	Recommended discharge current (μA)	Part number	Terminal Type	Min. Packaging q'ty (pcs)
CB	5.5	0.022	0.0176 to 0.0396	-25°C ~ $+70^{\circ}\text{C}$	150 Ω or less	200 μA Or less	CB 5R5 223 ()	V, H, C	200
CB	5.5	0.047	0.0376 to 0.0846	-25°C ~ $+70^{\circ}\text{C}$	120 Ω or less	200 μA Or less	CB 5R5 473 ()	V, H, C	200
CB	5.5	0.1	0.080 to 0.180	-25°C ~ $+70^{\circ}\text{C}$	75 Ω or less	300 μA Or less	CB 5R5 104 ()	V, H, C	200
CB	5.5	0.22	0.176 to 0.396	-25°C ~ $+70^{\circ}\text{C}$	75 Ω or less	300 μA Or less	CB 5R5 224 ()	V, H, C	200
CB	5.5	0.33	0.264 to 0.594	-25°C ~ $+70^{\circ}\text{C}$	50 Ω or less	300 μA Or less	CB 5R5 334 ()	V, H, C	200
CB	5.5	0.47	0.397 to 0.614	-25°C ~ $+70^{\circ}\text{C}$	50 Ω or less	400 μA Or less	CB 5R5 474 ()	V, H, C	200