

GT-TC090X-HXXX-LX

G-SWITCH Operating Force

A=160gf
B=250gf
C=100gf

Switch Height (mm)

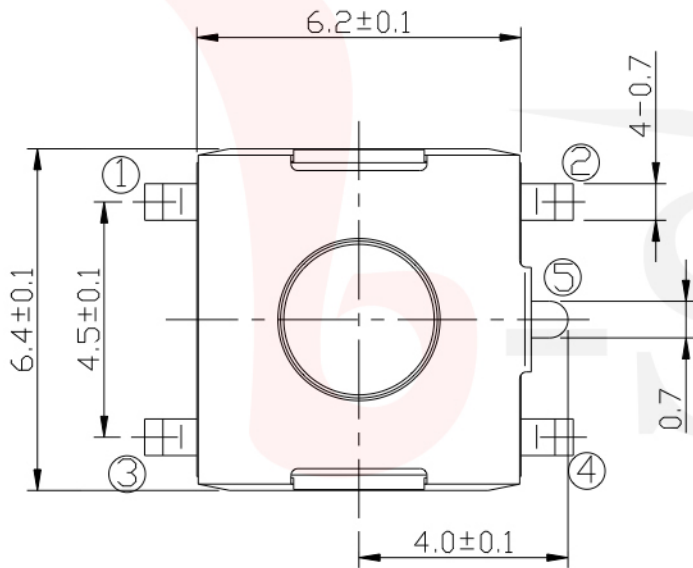
H025=2.5 H031=3.1
H035=3.5 H038=3.8
H043=4.3 H050=5.0

Switch lifetime (Force)

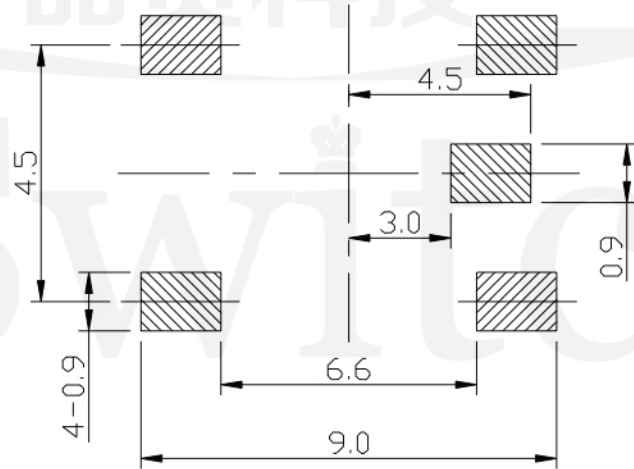
L1=100,000 Cycles
L3=300,000 Cycles

G-Switch Specification:

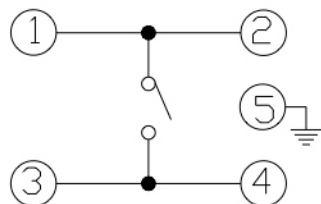
Operating temperature range: -30°C to +85°C
Rating: 50mA, 12V DC
Insulation resistance: 100MΩ min. 100V DC
Dielectric strength: 250V AC for 1 min
Contact resistance: 100mΩ max.
Travel: 0.25±0.1mm



品贊科技



P.C.B LAND DIMENSION



CIRCUIT DIAGRAM



G-Switch Electronic (HongKong) CO.,Ltd

Unless otherwise specified, Tolerance:
X. ±0.30
X.x ±0.20
X.xx ±0.15
X.xxx ±0.10
Angles ±3°

DESIGN FengFengChen DATE 2019.05.29
CHECKED DATE
APPROVED DATE
<http://www.dg-switch.com>
TEL:0769-82388879

Molde code:
GT-TC090X-HXXX-LX
REV.: X1 SCALE: 4:1 UNIT: mm
SIZE: A4 SHEET: 1/1