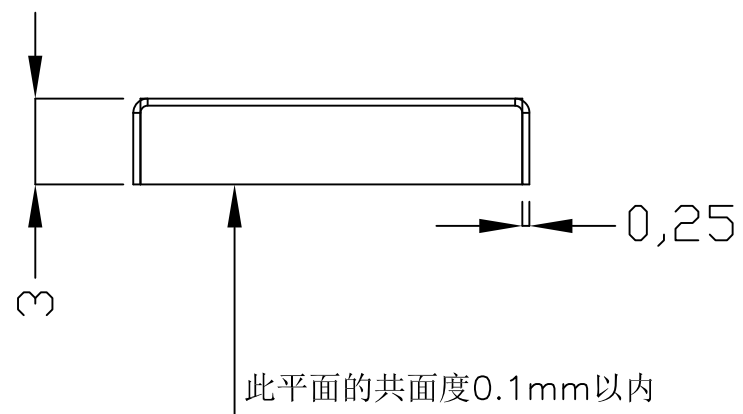
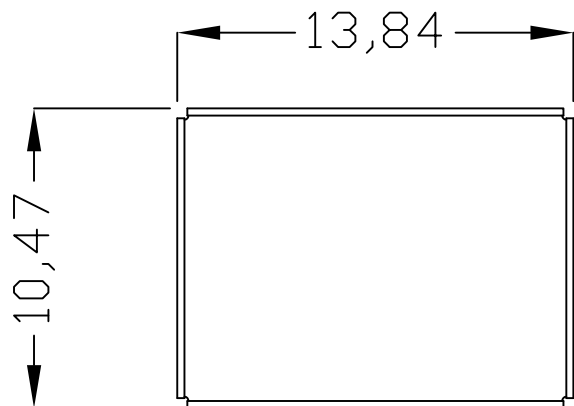




REV.	ECN NO.	REVISED	DATE



工程部
2019-07-10
LQ. HUANG

技术要求:

1. 材料: Cuni18Zn20, T=0.25MM
2. 未注公差: ± 0.10 MM
3. 产品表面不可有刮花, 压印, 披锋等现象。

UNLESS OTHERWISE SPECIFIED TOLERANCES		MYOUNG 美阳 www.meiyangdz.com					
DECIMALS: X : ± 1.00 X.X : ± 0.50 X.XX : ± 0.20 X.XXX : ± 0.10	ANGLES: X : $\pm 3^\circ$ X.X : $\pm 1.5^\circ$	DSND	YangFeng	DATE	2019-07-10	TITLE:	屏蔽罩PBZ-01
WEIGHT:		CHKD	ZhouRuicai	DATE	2019-07-10	PART NO.:	MY-PBZ-01
SHEET 1 OF 1		APVD	XueShunyong	DATE	2019-07-10	VIEW:	$\oplus \leftarrow$
		SCALE:	SIZE: A4	UNIT: mm	REV.: A/0	OBJECT: MY	DRAW NO.:WD-CP-0061

1	TERMINAL	1	Cuni18Zn20, T=0.25MM	
NO.	PART NAME	Q'TY	MATERIAL	PLATING & COLOR