

MXG series

105°C 3000 時間 標準品  
Load Life : 105°C 3000 hours ,Standard



◆規格表 / SPECIFICATIONS

| 項目 Item  | 特性 Characteristics   |                               |   |                              |  |                         |   |         |        |         |     |                   |      |      |      |      |         |      |      |      |      |               |
|--|--|-------------------------------|---|------------------------------|--|-------------------------|---|---------|--------|---------|-----|-------------------|------|------|------|------|---------|------|------|------|------|---------------|
| カテゴリ温度範囲<br>Category Temperature Range                                   | -40~+105°C   | -25~+105°C                    |   |                              |  |                         |   |         |        |         |     |                   |      |      |      |      |         |      |      |      |      |               |
| 定格電圧範囲<br>Rated Voltage Range  | 10~250Vdc  | 315~500Vdc                    |   |                              |  |                         |   |         |        |         |     |                   |      |      |      |      |         |      |      |      |      |               |
| 静電容量許容差<br>Capacitance Tolerance   | ±20% (20°C, 120Hz)   |                               |   |                              |  |                         |   |         |        |         |     |                   |      |      |      |      |         |      |      |      |      |               |
| 漏れ電流<br>Leakage Current (MAX)  | $I=3\sqrt{CV}$ (定格電圧印加5分後)<br>$I=3\sqrt{CV}$ (After 5 minutes application of rated voltage)<br>I=漏れ電流(μA) C=静電容量(μF) V=定格電圧(Vdc)<br>Leakage Current Capacitance Rated Voltage  |                               |   |                              |  |                         |   |         |        |         |     |                   |      |      |      |      |         |      |      |      |      |               |
| 損失角の正接 (tan δ)<br>Dissipation Factor (MAX)                               | <table border="1"> <thead> <tr> <th>定格電圧 (Vdc)<br/>Rated Voltage</th> <th>10</th> <th>16</th> <th>25</th> <th>35</th> <th>50</th> <th>63</th> <th>80~100</th> <th>160~450</th> <th>500</th> </tr> </thead> <tbody> <tr> <td>tan δ</td> <td>0.55</td> <td>0.50</td> <td>0.45</td> <td>0.40</td> <td>0.35</td> <td>0.30</td> <td>0.25</td> <td>0.20</td> <td>0.25</td> </tr> </tbody> </table> | 定格電圧 (Vdc)<br>Rated Voltage   | 10  | 16                           | 25   | 35                      | 50  | 63      | 80~100 | 160~450 | 500 | tan δ             | 0.55 | 0.50 | 0.45 | 0.40 | 0.35    | 0.30 | 0.25 | 0.20 | 0.25 | (20°C, 120Hz) |
| 定格電圧 (Vdc)<br>Rated Voltage  | 10   | 16                            | 25  | 35                           | 50   | 63                      | 80~100                                      | 160~450 | 500    |         |     |                   |      |      |      |      |         |      |      |      |      |               |
| tan δ  | 0.55   | 0.50                          | 0.45  | 0.40                         | 0.35   | 0.30                    | 0.25  | 0.20    | 0.25   |         |     |                   |      |      |      |      |         |      |      |      |      |               |
| 耐久性<br>Endurance   | 105°C中で3000時間定格電圧(リップル重畳)印加後、下記項目を満足すること。<br>After applying rated voltage with rated ripple current for 3000 hours at 105°C, the capacitors shall meet the following requirements.   |                               |   |                              |  |                         |   |         |        |         |     |                   |      |      |      |      |         |      |      |      |      |               |
|  | <table border="1"> <tbody> <tr> <td>静電容量変化率<br/>Capacitance Change</td> <td>初期値の ±20% 以内<br/>Within ±20% of the initial value.</td> </tr> <tr> <td>損失角の正接<br/>Dissipation Factor</td> <td>規格値の 200% 以下<br/>Not more than 200% of the specified value.</td> </tr> <tr> <td>漏れ電流<br/>Leakage Current</td> <td>規格値以下<br/>Not more than the specified value.</td> </tr> </tbody> </table>        | 静電容量変化率<br>Capacitance Change | 初期値の ±20% 以内<br>Within ±20% of the initial value. | 損失角の正接<br>Dissipation Factor | 規格値の 200% 以下<br>Not more than 200% of the specified value. | 漏れ電流<br>Leakage Current | 規格値以下<br>Not more than the specified value. |         |        |         |     |                   |      |      |      |      |         |      |      |      |      |               |
| 静電容量変化率<br>Capacitance Change  | 初期値の ±20% 以内<br>Within ±20% of the initial value.  |                               |   |                              |  |                         |   |         |        |         |     |                   |      |      |      |      |         |      |      |      |      |               |
| 損失角の正接<br>Dissipation Factor   | 規格値の 200% 以下<br>Not more than 200% of the specified value.   |                               |   |                              |  |                         |   |         |        |         |     |                   |      |      |      |      |         |      |      |      |      |               |
| 漏れ電流<br>Leakage Current  | 規格値以下<br>Not more than the specified value.  |                               |   |                              |  |                         |   |         |        |         |     |                   |      |      |      |      |         |      |      |      |      |               |
| 低温特性<br>Low Temperature Stability<br>(インピーダンス比)<br>Impedance Ratio (MAX) | <table border="1"> <thead> <tr> <th>定格電圧 (Vdc)<br/>Rated Voltage</th> <th>10~100</th> <th>160~250</th> <th>315~450</th> <th>500</th> </tr> </thead> <tbody> <tr> <td>Z(-25°C)/Z(+20°C)</td> <td>3</td> <td>4</td> <td>8</td> <td>10</td> </tr> <tr> <td>Z(-40°C)/Z(+20°C)</td> <td>12</td> <td>15</td> <td>—</td> <td>—</td> </tr> </tbody> </table>   | 定格電圧 (Vdc)<br>Rated Voltage   | 10~100  | 160~250                      | 315~450  | 500                     | Z(-25°C)/Z(+20°C)                           | 3       | 4      | 8       | 10  | Z(-40°C)/Z(+20°C) | 12   | 15   | —    | —    | (120Hz) |      |      |      |      |               |
| 定格電圧 (Vdc)<br>Rated Voltage  | 10~100   | 160~250                       | 315~450   | 500                          |  |                         |   |         |        |         |     |                   |      |      |      |      |         |      |      |      |      |               |
| Z(-25°C)/Z(+20°C)  | 3  | 4                             | 8   | 10                           |  |                         |   |         |        |         |     |                   |      |      |      |      |         |      |      |      |      |               |
| Z(-40°C)/Z(+20°C)  | 12   | 15                            | —   | —                            |  |                         |   |         |        |         |     |                   |      |      |      |      |         |      |      |      |      |               |

◆呼称方法 / PART NUMBER

MXG  M  SN D x L  
 定格電圧 シリーズ名 静電容量 静電容量許容差 副記号 端子記号 ケースサイズ  
 Rated Voltage Series Capacitance Capacitance Tolerance Option Terminal Code Case Size

◆リップル電流補正係数 /

MULTIPLIER FOR RIPPLE CURRENT

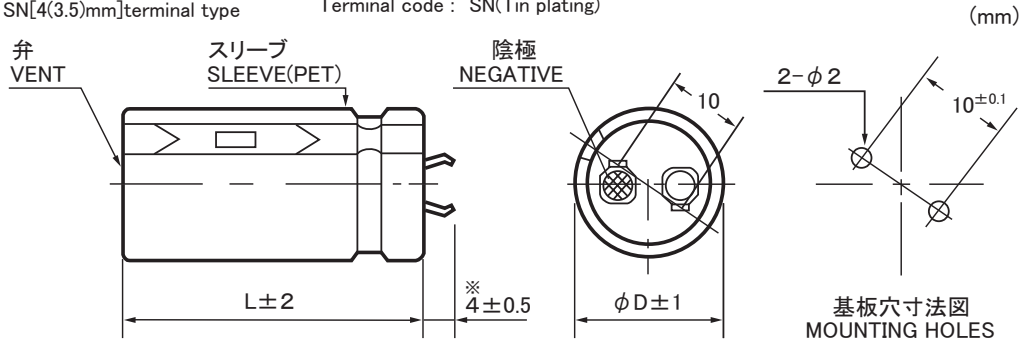
| 周波数 (Hz)<br>Frequency | 60<br>(50) | 120<br>(100) | 300  | 500  | 1k   | 10k ≤ |
|-----------------------|------------|--------------|------|------|------|-------|
| 10~100Vdc             | 0.90       | 1.00         | 1.03 | 1.05 | 1.10 | 1.15  |
| 160~250Vdc            | 0.80       | 1.00         | 1.15 | 1.20 | 1.30 | 1.50  |
| 315~500Vdc            | 0.80       | 1.00         | 1.15 | 1.20 | 1.25 | 1.40  |

◆副記号 / OPTION

EFC : PET スリーブ、底板なし  
PET Sleeve without plate

◆寸法図／DIMENSIONS

●SN[4(3.5)mm]端子タイプ 端子記号 : SN(錫メッキ)  
SN[4(3.5)mm]terminal type Terminal code : SN(Tin plating)



◆標準品一覧表／STANDARD SIZE

| Cap.<br>(μF) | 10Vdc |      |       |      |       | 16Vdc |       |       |       |       |       |       |      |       |      |       |      |
|--------------|-------|------|-------|------|-------|-------|-------|-------|-------|-------|-------|-------|------|-------|------|-------|------|
|              | φ20   | φ22  | φ25   | φ30  | φ35   | φ20   | φ22   | φ25   | φ30   | φ35   |       |       |      |       |      |       |      |
| 6800         | 20×25 | 1.31 |       |      |       | 20×25 | 1.80  |       |       |       |       |       |      |       |      |       |      |
| 8200         | 20×30 | 1.59 |       |      |       | 20×30 | 2.08  | 22×25 | 2.08  |       |       |       |      |       |      |       |      |
| 10000        | 20×30 | 1.88 | 22×25 | 1.77 |       | 20×35 | 2.15  | 22×30 | 2.15  |       |       |       |      |       |      |       |      |
| 12000        | 20×35 | 2.18 | 22×30 | 2.10 | 25×25 | 1.94  |       | 20×40 | 2.31  | 22×30 | 2.31  |       |      |       |      |       |      |
| 15000        | 20×40 | 2.27 | 22×35 | 2.23 | 25×30 | 2.10  |       |       | 22×35 | 2.68  | 25×30 | 2.68  |      |       |      |       |      |
| 18000        |       |      | 22×40 | 2.41 | 25×30 | 2.34  | 30×25 | 2.25  |       | 22×40 | 3.20  | 25×30 | 3.20 | 30×25 | 3.20 |       |      |
| 22000        |       |      | 22×45 | 2.58 | 25×35 | 2.54  | 30×30 | 2.50  |       | 22×45 | 3.36  | 25×35 | 3.36 | 30×30 | 3.36 |       |      |
| 27000        |       |      | 22×50 | 3.17 | 25×40 | 3.07  | 30×30 | 2.95  |       | 22×50 | 3.85  | 25×40 | 3.85 | 30×30 | 3.85 |       |      |
| 33000        |       |      |       |      | 25×45 | 3.39  | 30×35 | 3.33  | 35×30 | 3.21  |       | 25×45 | 4.30 | 30×35 | 4.30 | 35×30 | 4.30 |
| 39000        |       |      |       |      |       |       | 30×40 | 3.70  | 35×35 | 3.68  |       | 25×50 | 4.81 | 30×40 | 4.81 | 35×35 | 4.81 |
| 47000        |       |      |       |      |       |       | 30×45 | 4.22  | 35×40 | 4.16  |       |       |      | 30×45 | 5.53 | 35×40 | 5.53 |
| 56000        |       |      |       |      |       |       |       |       |       |       |       |       |      | 30×50 | 6.00 | 35×45 | 6.00 |
| 68000        |       |      |       |      |       |       |       |       |       |       |       |       |      |       |      | 35×50 | 6.40 |

| Cap.<br>(μF) | 25Vdc |      |       |      |       | 35Vdc |       |       |       |       |      |       |      |       |      |
|--------------|-------|------|-------|------|-------|-------|-------|-------|-------|-------|------|-------|------|-------|------|
|              | φ20   | φ22  | φ25   | φ30  | φ35   | φ20   | φ22   | φ25   | φ30   | φ35   |      |       |      |       |      |
| 2700         |       |      |       |      |       | 20×25 | 1.29  |       |       |       |      |       |      |       |      |
| 3300         |       |      |       |      |       | 20×30 | 1.57  |       |       |       |      |       |      |       |      |
| 3900         |       |      |       |      |       | 20×30 | 1.78  | 22×25 | 1.78  |       |      |       |      |       |      |
| 4700         | 20×25 | 1.65 |       |      |       | 20×35 | 2.02  | 22×30 | 2.02  |       |      |       |      |       |      |
| 5600         | 20×30 | 1.85 | 22×25 | 1.85 |       | 20×40 | 2.13  | 22×35 | 2.13  | 25×25 | 2.13 |       |      |       |      |
| 6800         | 20×35 | 2.11 | 22×30 | 2.11 |       |       | 22×40 | 2.41  | 25×30 | 2.41  |      |       |      |       |      |
| 8200         | 20×40 | 2.34 | 22×30 | 2.34 | 25×25 | 2.34  |       | 22×45 | 2.85  | 25×35 | 2.85 | 30×25 | 2.85 |       |      |
| 10000        |       |      | 22×35 | 2.65 | 25×30 | 2.65  |       | 22×50 | 3.05  | 25×40 | 3.05 | 30×30 | 3.05 |       |      |
| 12000        |       |      | 22×40 | 2.81 | 25×30 | 2.81  | 30×25 | 2.81  |       | 25×45 | 3.37 | 30×35 | 3.37 | 35×30 | 3.37 |
| 15000        |       |      | 22×45 | 3.13 | 25×35 | 3.13  | 30×30 | 3.13  |       | 25×50 | 3.72 | 30×40 | 3.72 | 35×35 | 3.72 |
| 18000        |       |      |       |      | 25×40 | 3.56  | 30×30 | 3.56  |       |       |      | 30×45 | 4.37 | 35×35 | 4.37 |
| 22000        |       |      |       |      | 25×50 | 4.04  | 30×35 | 4.04  | 35×30 | 4.04  |      | 30×50 | 4.92 | 35×40 | 4.92 |
| 27000        |       |      |       |      |       |       | 30×40 | 4.74  | 35×35 | 4.74  |      |       |      | 35×50 | 5.30 |
| 33000        |       |      |       |      |       |       | 30×50 | 5.50  | 35×40 | 5.50  |      |       |      |       |      |
| 39000        |       |      |       |      |       |       |       |       | 35×45 | 5.80  |      |       |      |       |      |
| 47000        |       |      |       |      |       |       |       |       | 35×50 | 6.30  |      |       |      |       |      |

| Cap.<br>(μF) | 50Vdc |      |       |      |       | 63Vdc |       |       |       |       |       |       |       |       |       |      |
|--------------|-------|------|-------|------|-------|-------|-------|-------|-------|-------|-------|-------|-------|-------|-------|------|
|              | φ20   | φ22  | φ25   | φ30  | φ35   | φ20   | φ22   | φ25   | φ30   | φ35   |       |       |       |       |       |      |
| 1500         |       |      |       |      |       | 20×25 | 1.47  |       |       |       |       |       |       |       |       |      |
| 1800         |       |      |       |      |       | 20×30 | 1.58  |       |       |       |       |       |       |       |       |      |
| 2200         | 20×25 | 1.60 |       |      |       | 20×35 | 1.82  |       |       |       |       |       |       |       |       |      |
| 2700         | 20×30 | 1.73 | 22×25 | 1.73 |       |       | 22×30 | 2.11  | 25×25 | 2.11  |       |       |       |       |       |      |
| 3300         | 20×35 | 1.97 | 22×30 | 1.97 |       |       | 22×35 | 2.33  | 25×30 | 2.33  |       |       |       |       |       |      |
| 3900         | 20×40 | 2.22 | 22×35 | 2.22 | 25×25 | 2.22  |       | 22×40 | 2.55  | 25×30 | 2.55  | 30×25 | 2.55  |       |       |      |
| 4700         | 20×45 | 2.43 | 22×40 | 2.43 | 25×30 | 2.43  |       | 22×45 | 2.97  | 25×35 | 2.97  | 30×30 | 2.97  |       |       |      |
| 5600         |       |      | 22×45 | 2.75 | 25×35 | 2.75  | 30×25 | 2.75  |       | 25×40 | 3.22  | 30×30 | 3.22  | 35×25 | 3.22  |      |
| 6800         |       |      | 22×50 | 3.30 | 25×40 | 3.30  | 30×30 | 3.30  | 35×25 | 3.30  | 25×45 | 3.65  | 30×35 | 3.65  | 35×30 | 3.65 |
| 8200         |       |      |       |      | 25×45 | 3.60  | 30×35 | 3.60  | 35×30 | 3.60  |       |       | 30×40 | 4.04  | 35×35 | 4.04 |
| 10000        |       |      |       |      | 25×50 | 4.05  | 30×40 | 4.05  | 35×30 | 4.05  |       |       | 30×45 | 4.48  | 35×40 | 4.48 |
| 12000        |       |      |       |      |       |       | 30×45 | 4.56  | 35×35 | 4.56  |       |       |       |       | 35×45 | 4.75 |
| 15000        |       |      |       |      |       |       | 30×50 | 4.77  | 35×40 | 4.77  |       |       |       |       | 35×50 | 5.25 |

ケースサイズ Case Size φD×L(mm) ↑  
リップル電流 Ripple Current (A.r.m.s./120Hz,105°C) ↑

◆標準品一覧表 / STANDARD SIZE

| Cap.<br>( $\mu$ F) | 80Vdc     |           |           |           |           | 100Vdc    |           |           |           |           |       |       |       |       |       |      |
|--------------------|-----------|-----------|-----------|-----------|-----------|-----------|-----------|-----------|-----------|-----------|-------|-------|-------|-------|-------|------|
|                    | $\phi$ 20 | $\phi$ 22 | $\phi$ 25 | $\phi$ 30 | $\phi$ 35 | $\phi$ 20 | $\phi$ 22 | $\phi$ 25 | $\phi$ 30 | $\phi$ 35 |       |       |       |       |       |      |
| 680                |           |           |           |           |           | 20x25     | 1.15      |           |           |           |       |       |       |       |       |      |
| 820                |           |           |           |           |           | 20x30     | 1.32      | 22x25     | 1.32      |           |       |       |       |       |       |      |
| 1000               | 20x25     | 1.24      |           |           |           | 20x30     | 1.47      | 22x30     | 1.47      |           |       |       |       |       |       |      |
| 1200               | 20x30     | 1.44      | 22x25     | 1.44      |           | 20x35     | 1.69      | 22x30     | 1.69      | 25x25     | 1.69  |       |       |       |       |      |
| 1500               | 20x30     | 1.59      | 22x30     | 1.59      |           |           | 22x35     | 1.98      | 25x30     | 1.98      |       |       |       |       |       |      |
| 1800               | 20x35     | 1.79      | 22x30     | 1.79      | 25x25     | 1.79      |           | 22x40     | 2.23      | 25x35     | 2.23  | 30x25 | 2.23  |       |       |      |
| 2200               | 20x40     | 2.03      | 22x35     | 2.03      | 25x30     | 2.03      |           |           | 25x40     | 2.55      | 30x30 | 2.55  | 35x25 | 2.55  |       |      |
| 2700               |           |           | 22x40     | 2.39      | 25x35     | 2.39      | 30x25     | 2.39      |           | 25x45     | 2.89  | 30x35 | 2.89  | 35x30 | 2.89  |      |
| 3300               |           |           | 22x50     | 2.64      | 25x40     | 2.64      | 30x30     | 2.64      | 35x25     | 2.64      | 25x50 | 3.30  | 30x40 | 3.30  | 35x35 | 3.30 |
| 3900               |           |           |           |           | 25x45     | 2.97      | 30x30     | 2.97      | 35x30     | 2.97      |       |       | 30x45 | 3.67  | 35x35 | 3.67 |
| 4700               |           |           |           |           | 25x50     | 3.38      | 30x35     | 3.38      | 35x30     | 3.38      |       |       | 30x50 | 3.80  | 35x40 | 3.80 |
| 5600               |           |           |           |           |           |           | 30x40     | 3.80      | 35x35     | 3.80      |       |       |       |       | 35x45 | 4.05 |
| 6800               |           |           |           |           |           |           |           | 30x50     | 4.10      | 35x40     | 4.10  |       |       |       |       |      |
| 8200               |           |           |           |           |           |           |           |           | 35x45     | 4.30      |       |       |       |       |       |      |

| Cap.<br>( $\mu$ F) | 160Vdc    |           |           |           |           | 180Vdc    |           |           |           |           |       |       |       |       |       |       |       |       |      |
|--------------------|-----------|-----------|-----------|-----------|-----------|-----------|-----------|-----------|-----------|-----------|-------|-------|-------|-------|-------|-------|-------|-------|------|
|                    | $\phi$ 20 | $\phi$ 22 | $\phi$ 25 | $\phi$ 30 | $\phi$ 35 | $\phi$ 20 | $\phi$ 22 | $\phi$ 25 | $\phi$ 30 | $\phi$ 35 |       |       |       |       |       |       |       |       |      |
| 330                | 20x25     | 1.32      |           |           |           | 20x25     | 1.32      |           |           |           |       |       |       |       |       |       |       |       |      |
| 390                | 20x25     | 1.39      |           |           |           | 20x30     | 1.53      | 22x25     | 1.43      |           |       |       |       |       |       |       |       |       |      |
| 470                | 20x30     | 1.62      | 22x25     | 1.51      |           | 20x35     | 1.75      | 22x30     | 1.67      |           |       |       |       |       |       |       |       |       |      |
| 560                | 20x35     | 1.85      | 22x30     | 1.75      |           | 20x40     | 1.98      | 22x30     | 1.75      | 25x25     | 1.59  |       |       |       |       |       |       |       |      |
| 680                | 20x40     | 2.09      | 22x30     | 1.83      | 25x25     | 1.70      |           | 20x45     | 2.22      | 22x35     | 2.01  | 25x30 | 1.86  |       |       |       |       |       |      |
| 820                | 20x50     | 2.47      | 22x35     | 2.10      | 25x30     | 2.00      |           |           | 22x40     | 2.27      | 25x35 | 2.14  | 30x25 | 2.00  |       |       |       |       |      |
| 1000               |           |           | 22x40     | 2.37      | 25x35     | 2.20      | 30x25     | 2.20      |           | 22x50     | 2.68  | 25x40 | 2.40  | 30x30 | 2.20  | 35x25 | 2.20  |       |      |
| 1200               |           |           | 22x55     | 2.98      | 25x40     | 2.50      | 30x30     | 2.30      | 35x25     | 2.30      |       | 22x60 | 3.09  | 25x45 | 2.67  | 30x35 | 2.30  | 35x30 | 2.30 |
| 1500               |           |           |           |           | 25x45     | 2.80      | 30x35     | 2.50      | 35x30     | 2.50      |       |       | 25x50 | 2.99  | 30x40 | 2.54  | 35x30 | 2.50  |      |
| 1800               |           |           |           |           | 25x60     | 3.43      | 30x40     | 2.70      | 35x35     | 2.70      |       |       |       |       | 30x45 | 2.79  | 35x35 | 2.70  |      |
| 2200               |           |           |           |           |           |           | 30x45     | 2.90      | 35x40     | 2.90      |       |       |       |       | 30x50 | 3.12  | 35x40 | 2.90  |      |
| 2700               |           |           |           |           |           |           | 30x60     | 3.58      | 35x45     | 3.10      |       |       |       |       |       | 35x50 | 3.10  |       |      |
| 3300               |           |           |           |           |           |           |           |           | 35x55     | 3.24      |       |       |       |       |       | 35x60 | 3.44  |       |      |

| Cap.<br>( $\mu$ F) | 200Vdc    |           |           |           |           | 220Vdc    |           |           |           |           |       |       |       |       |       |       |       |      |  |
|--------------------|-----------|-----------|-----------|-----------|-----------|-----------|-----------|-----------|-----------|-----------|-------|-------|-------|-------|-------|-------|-------|------|--|
|                    | $\phi$ 20 | $\phi$ 22 | $\phi$ 25 | $\phi$ 30 | $\phi$ 35 | $\phi$ 20 | $\phi$ 22 | $\phi$ 25 | $\phi$ 30 | $\phi$ 35 |       |       |       |       |       |       |       |      |  |
| 220                |           |           |           |           |           | 20x25     | 1.17      |           |           |           |       |       |       |       |       |       |       |      |  |
| 270                | 20x25     | 1.25      |           |           |           | 20x30     | 1.36      | 22x25     | 1.29      |           |       |       |       |       |       |       |       |      |  |
| 330                | 20x30     | 1.46      | 22x25     | 1.37      |           | 20x30     | 1.46      | 22x25     | 1.37      |           |       |       |       |       |       |       |       |      |  |
| 390                | 20x30     | 1.54      | 22x25     | 1.44      |           | 20x35     | 1.66      | 22x30     | 1.58      | 25x25     | 1.46  |       |       |       |       |       |       |      |  |
| 470                | 20x35     | 1.76      | 22x30     | 1.67      | 25x25     | 1.53      |           | 20x40     | 1.87      | 22x35     | 1.81  | 25x25 | 1.53  |       |       |       |       |      |  |
| 560                | 20x40     | 1.98      | 22x35     | 1.90      | 25x25     | 1.60      |           | 20x45     | 2.09      | 22x40     | 2.04  | 25x30 | 1.79  | 30x25 | 1.61  |       |       |      |  |
| 680                | 20x50     | 2.34      | 22x40     | 2.15      | 25x30     | 1.85      | 30x25     | 1.75      |           | 22x45     | 2.29  | 25x35 | 2.05  | 30x25 | 1.78  |       |       |      |  |
| 820                |           |           | 22x45     | 2.41      | 25x35     | 2.12      | 30x25     | 2.04      |           | 22x50     | 2.54  | 25x40 | 2.31  | 30x30 | 1.93  | 35x25 | 1.93  |      |  |
| 1000               |           |           | 22x55     | 2.84      | 25x45     | 2.58      | 30x30     | 2.30      |           |           | 25x50 | 2.72  | 30x35 | 2.33  | 35x30 | 2.33  |       |      |  |
| 1200               |           |           |           |           | 25x50     | 2.84      | 30x35     | 2.65      | 35x30     | 2.65      |       |       | 25x55 | 2.96  | 30x40 | 2.50  | 35x35 | 2.50 |  |
| 1500               |           |           |           |           | 25x60     | 3.28      | 30x45     | 2.80      | 35x35     | 2.80      |       |       |       |       | 30x50 | 2.92  | 35x40 | 2.76 |  |
| 1800               |           |           |           |           |           |           | 30x50     | 3.08      | 35x40     | 3.08      |       |       |       |       | 30x60 | 3.38  | 35x45 | 3.11 |  |
| 2200               |           |           |           |           |           |           | 30x60     | 3.45      | 35x45     | 3.48      |       |       |       |       |       | 35x55 | 3.67  |      |  |
| 2700               |           |           |           |           |           |           |           |           | 35x55     | 4.05      |       |       |       |       |       |       |       |      |  |

| Cap.<br>( $\mu$ F) | 250Vdc    |           |           |           |           | 315Vdc    |           |           |           |           |       |       |       |       |       |       |       |      |  |
|--------------------|-----------|-----------|-----------|-----------|-----------|-----------|-----------|-----------|-----------|-----------|-------|-------|-------|-------|-------|-------|-------|------|--|
|                    | $\phi$ 20 | $\phi$ 22 | $\phi$ 25 | $\phi$ 30 | $\phi$ 35 | $\phi$ 20 | $\phi$ 22 | $\phi$ 25 | $\phi$ 30 | $\phi$ 35 |       |       |       |       |       |       |       |      |  |
| 120                |           |           |           |           |           | 20x25     | 0.86      |           |           |           |       |       |       |       |       |       |       |      |  |
| 150                |           |           |           |           |           | 20x30     | 1.00      | 22x25     | 0.98      |           |       |       |       |       |       |       |       |      |  |
| 180                |           |           |           |           |           | 20x35     | 1.14      | 22x30     | 1.13      |           |       |       |       |       |       |       |       |      |  |
| 220                | 20x25     | 1.17      |           |           |           | 20x40     | 1.30      | 22x30     | 1.22      | 25x25     | 1.17  |       |       |       |       |       |       |      |  |
| 270                | 20x30     | 1.36      | 22x25     | 1.30      |           | 20x45     | 1.48      | 22x35     | 1.40      | 25x30     | 1.37  |       |       |       |       |       |       |      |  |
| 330                | 20x35     | 1.57      | 22x30     | 1.51      | 25x25     | 1.41      |           | 20x50     | 1.67      | 22x40     | 1.59  | 25x35 | 1.56  | 30x25 | 1.38  |       |       |      |  |
| 390                | 20x40     | 1.76      | 22x35     | 1.71      | 25x25     | 1.47      |           |           |           | 22x50     | 1.84  | 25x35 | 1.65  | 30x30 | 1.60  | 35x25 | 1.44  |      |  |
| 470                | 20x45     | 1.98      | 22x40     | 1.94      | 25x30     | 1.71      | 30x25     | 1.57      |           |           | 22x55 | 2.05  | 25x45 | 1.96  | 30x35 | 1.83  | 35x30 | 1.71 |  |
| 560                |           |           | 22x45     | 2.16      | 25x35     | 1.95      | 30x25     | 1.60      |           |           |       | 25x50 | 2.17  | 30x35 | 1.89  | 35x30 | 1.72  |      |  |
| 680                |           |           | 22x50     | 2.40      | 25x40     | 2.20      | 30x30     | 1.87      | 35x25     | 1.70      |       | 25x55 | 2.41  | 30x40 | 2.12  | 35x35 | 1.98  |      |  |
| 820                |           |           | 22x60     | 2.77      | 25x45     | 2.45      | 30x35     | 2.14      | 35x30     | 2.00      |       |       |       | 30x50 | 2.51  | 35x40 | 2.22  |      |  |
| 1000               |           |           |           |           | 25x55     | 2.87      | 30x40     | 2.40      | 35x35     | 2.20      |       |       |       | 30x55 | 2.75  | 35x45 | 2.45  |      |  |
| 1200               |           |           |           |           |           |           | 30x45     | 2.65      | 35x35     | 2.30      |       |       |       |       |       | 35x50 | 2.67  |      |  |
| 1500               |           |           |           |           |           |           | 30x55     | 3.12      | 35x45     | 2.67      |       |       |       |       |       | 35x60 | 3.08  |      |  |
| 1800               |           |           |           |           |           |           |           |           | 35x50     | 2.89      |       |       |       |       |       |       |       |      |  |
| 2200               |           |           |           |           |           |           |           |           | 35x60     | 3.32      |       |       |       |       |       |       |       |      |  |

ケースサイズ Case Size  $\phi$  D × L(mm) ———— $\uparrow$   
リップル電流 Ripple Current (A.r.m.s./120Hz,105°C) ———— $\uparrow$

**◆標準品一覧表 / STANDARD SIZE**

| Cap. (μF) | 350Vdc |      |       |      |       |      |       |      |       |      | 385Vdc |       |       |       |       |       |       |       |       |       |       |      |  |  |  |
|-----------|--------|------|-------|------|-------|------|-------|------|-------|------|--------|-------|-------|-------|-------|-------|-------|-------|-------|-------|-------|------|--|--|--|
|           | φ20    | φ22  | φ25   | φ30  | φ35   |      |       |      |       |      |        | φ20   | φ22   | φ25   | φ30   | φ35   |       |       |       |       |       |      |  |  |  |
| 100       | 20×25  | 0.81 |       |      |       |      |       |      |       |      |        | 20×25 | 0.81  |       |       |       |       |       |       |       |       |      |  |  |  |
| 120       | 20×30  | 0.93 | 22×25 | 0.91 |       |      |       |      |       |      |        | 20×30 | 0.94  | 22×25 | 0.91  |       |       |       |       |       |       |      |  |  |  |
| 150       | 20×35  | 1.08 | 22×30 | 1.06 |       |      |       |      |       |      |        | 20×35 | 1.08  | 22×30 | 1.07  |       |       |       |       |       |       |      |  |  |  |
| 180       | 20×40  | 1.22 | 22×30 | 1.14 | 25×25 | 1.10 |       |      |       |      |        | 20×40 | 1.22  | 22×35 | 1.21  | 25×25 | 1.11  |       |       |       |       |      |  |  |  |
| 220       | 20×45  | 1.38 | 22×35 | 1.31 | 25×30 | 1.28 |       |      |       |      |        | 20×45 | 1.39  | 22×40 | 1.38  | 25×30 | 1.29  | 30×25 | 1.25  |       |       |      |  |  |  |
| 270       | 20×50  | 1.56 | 22×45 | 1.55 | 25×35 | 1.47 | 30×25 | 1.31 |       |      |        |       | 22×45 | 1.56  | 25×35 | 1.47  | 30×30 | 1.46  |       |       |       |      |  |  |  |
| 330       |        |      | 22×50 | 1.75 | 25×40 | 1.67 | 30×30 | 1.53 | 35×25 | 1.39 |        |       | 22×55 | 1.81  | 25×40 | 1.67  | 30×30 | 1.53  | 35×25 | 1.37  |       |      |  |  |  |
| 390       |        |      | 22×55 | 1.93 | 25×45 | 1.86 | 30×35 | 1.74 | 35×30 | 1.63 |        |       | 22×60 | 2.00  | 25×50 | 1.94  | 30×35 | 1.73  | 35×30 | 1.62  |       |      |  |  |  |
| 470       |        |      |       |      | 25×50 | 2.06 | 30×40 | 1.96 | 35×30 | 1.66 |        |       |       |       | 25×55 | 2.15  | 30×40 | 1.94  | 35×35 | 1.84  |       |      |  |  |  |
| 560       |        |      |       |      | 25×55 | 2.27 | 30×45 | 2.17 | 35×35 | 1.90 |        |       |       |       |       |       | 30×45 | 2.15  | 35×40 | 2.07  |       |      |  |  |  |
| 680       |        |      |       |      |       |      | 30×50 | 2.40 | 35×40 | 2.13 |        |       |       |       |       |       | 30×55 | 2.51  | 35×45 | 2.29  |       |      |  |  |  |
| 820       |        |      |       |      |       |      | 30×55 | 2.62 | 35×45 | 2.36 |        |       |       |       |       |       |       |       |       | 35×50 | 2.50  |      |  |  |  |
| 1000      |        |      |       |      |       |      |       |      | 35×55 | 2.77 |        |       |       |       |       |       |       |       |       |       | 35×60 | 2.89 |  |  |  |
| 1200      |        |      |       |      |       |      |       |      | 35×60 | 2.97 |        |       |       |       |       |       |       |       |       |       |       |      |  |  |  |

| Cap. (μF) | 400Vdc |      |       |      |       |      |       |      |       |      | 420Vdc |       |       |       |       |       |       |       |       |       |      |  |  |  |  |
|-----------|--------|------|-------|------|-------|------|-------|------|-------|------|--------|-------|-------|-------|-------|-------|-------|-------|-------|-------|------|--|--|--|--|
|           | φ20    | φ22  | φ25   | φ30  | φ35   |      |       |      |       |      |        | φ20   | φ22   | φ25   | φ30   | φ35   |       |       |       |       |      |  |  |  |  |
| 68        | 20×25  | 0.69 |       |      |       |      |       |      |       |      |        | 20×25 | 0.69  |       |       |       |       |       |       |       |      |  |  |  |  |
| 82        | 20×25  | 0.75 | 22×25 | 0.78 |       |      |       |      |       |      |        | 20×25 | 0.75  | 22×25 | 0.78  |       |       |       |       |       |      |  |  |  |  |
| 100       | 20×30  | 0.87 | 22×25 | 0.85 |       |      |       |      |       |      |        | 20×30 | 0.86  | 22×25 | 0.85  | 25×25 | 0.88  |       |       |       |      |  |  |  |  |
| 120       | 20×35  | 0.99 | 22×30 | 0.97 | 25×25 | 0.96 |       |      |       |      |        | 20×35 | 0.98  | 22×30 | 0.97  | 25×25 | 0.95  |       |       |       |      |  |  |  |  |
| 150       | 20×40  | 1.13 | 22×35 | 1.13 | 25×25 | 1.04 |       |      |       |      |        | 20×40 | 1.13  | 22×35 | 1.12  | 25×30 | 1.11  | 30×25 | 1.10  |       |      |  |  |  |  |
| 180       | 20×40  | 1.23 | 22×35 | 1.22 | 25×30 | 1.20 | 30×25 | 1.18 |       |      |        | 20×45 | 1.27  | 22×40 | 1.27  | 25×30 | 1.19  | 30×25 | 1.16  |       |      |  |  |  |  |
| 220       | 20×50  | 1.44 | 22×45 | 1.44 | 25×35 | 1.37 | 30×25 | 1.25 |       |      |        |       | 22×45 | 1.43  | 25×35 | 1.36  | 30×30 | 1.35  | 35×25 | 1.27  |      |  |  |  |  |
| 270       |        |      | 22×50 | 1.62 | 25×40 | 1.56 | 30×30 | 1.45 | 35×25 | 1.34 |        |       | 22×50 | 1.62  | 25×40 | 1.55  | 30×30 | 1.43  | 35×25 | 1.30  |      |  |  |  |  |
| 330       |        |      | 22×55 | 1.82 | 25×45 | 1.76 | 30×35 | 1.66 | 35×30 | 1.57 |        |       | 22×60 | 1.86  | 25×50 | 1.74  | 30×35 | 1.64  | 35×30 | 1.54  |      |  |  |  |  |
| 390       |        |      |       |      | 25×50 | 1.94 | 30×40 | 1.86 | 35×30 | 1.60 |        |       |       |       | 25×55 | 2.00  | 30×40 | 1.83  | 35×35 | 1.75  |      |  |  |  |  |
| 470       |        |      |       |      | 25×55 | 2.15 | 30×45 | 2.07 | 35×35 | 1.83 |        |       |       |       | 25×60 | 2.21  | 30×45 | 2.04  | 35×40 | 1.97  |      |  |  |  |  |
| 560       |        |      |       |      |       |      | 30×50 | 2.28 | 35×40 | 2.05 |        |       |       |       |       |       | 30×55 | 2.35  | 35×45 | 2.18  |      |  |  |  |  |
| 680       |        |      |       |      |       |      | 30×55 | 2.50 | 35×45 | 2.27 |        |       |       |       |       |       | 30×60 | 2.57  | 35×50 | 2.39  |      |  |  |  |  |
| 820       |        |      |       |      |       |      |       |      | 35×55 | 2.65 |        |       |       |       |       |       |       |       |       | 35×55 | 2.59 |  |  |  |  |

| Cap. (μF) | 450Vdc |      |       |      |       |      |       |      |       |      | 500Vdc |       |       |       |       |       |       |       |       |       |       |      |  |  |  |
|-----------|--------|------|-------|------|-------|------|-------|------|-------|------|--------|-------|-------|-------|-------|-------|-------|-------|-------|-------|-------|------|--|--|--|
|           | φ20    | φ22  | φ25   | φ30  | φ35   |      |       |      |       |      |        | φ20   | φ22   | φ25   | φ30   | φ35   |       |       |       |       |       |      |  |  |  |
| 39        |        |      |       |      |       |      |       |      |       |      |        | 20×25 | 0.51  |       |       |       |       |       |       |       |       |      |  |  |  |
| 47        |        |      |       |      |       |      |       |      |       |      |        | 20×30 | 0.59  | 22×25 | 0.58  |       |       |       |       |       |       |      |  |  |  |
| 56        | 20×25  | 0.63 |       |      |       |      |       |      |       |      |        | 20×35 | 0.67  | 22×30 | 0.66  |       |       |       |       |       |       |      |  |  |  |
| 68        | 20×25  | 0.69 | 22×25 | 0.72 |       |      |       |      |       |      |        | 20×40 | 0.76  | 22×30 | 0.73  | 25×25 | 0.72  |       |       |       |       |      |  |  |  |
| 82        | 20×30  | 0.80 | 22×25 | 0.78 |       |      |       |      |       |      |        | 20×45 | 0.85  | 22×35 | 0.83  | 25×30 | 0.83  | 30×25 | 0.83  |       |       |      |  |  |  |
| 100       | 20×35  | 0.91 | 22×30 | 0.90 | 25×25 | 0.89 |       |      |       |      |        |       | 22×40 | 0.94  | 25×35 | 0.94  | 30×25 | 0.91  |       |       |       |      |  |  |  |
| 120       | 20×35  | 0.99 | 22×30 | 0.98 | 25×25 | 0.95 |       |      |       |      |        |       | 22×50 | 1.08  | 25×35 | 1.02  | 30×30 | 1.04  | 35×25 | 1.01  |       |      |  |  |  |
| 150       | 20×45  | 1.18 | 22×35 | 1.13 | 25×30 | 1.11 | 30×25 | 1.10 |       |      |        |       | 22×55 | 1.24  | 25×45 | 1.21  | 30×35 | 1.19  | 35×30 | 1.18  |       |      |  |  |  |
| 180       |        |      | 22×40 | 1.27 | 25×35 | 1.27 | 30×25 | 1.16 |       |      |        |       | 22×60 | 1.38  | 25×50 | 1.36  | 30×40 | 1.34  | 35×30 | 1.25  |       |      |  |  |  |
| 220       |        |      | 22×50 | 1.49 | 25×40 | 1.44 | 30×30 | 1.35 | 35×25 | 1.26 |        |       |       |       | 25×55 | 1.52  | 30×45 | 1.51  | 35×40 | 1.51  |       |      |  |  |  |
| 270       |        |      | 22×55 | 1.68 | 25×45 | 1.62 | 30×35 | 1.55 | 35×30 | 1.48 |        |       |       |       |       |       | 30×50 | 1.69  | 35×40 | 1.62  |       |      |  |  |  |
| 330       |        |      |       |      | 25×50 | 1.82 | 30×40 | 1.75 | 35×30 | 1.52 |        |       |       |       |       |       | 30×55 | 1.89  | 35×45 | 1.81  |       |      |  |  |  |
| 390       |        |      |       |      | 25×60 | 2.07 | 30×45 | 1.93 | 35×35 | 1.74 |        |       |       |       |       |       |       |       |       | 35×55 | 2.08  |      |  |  |  |
| 470       |        |      |       |      |       |      | 30×50 | 2.14 | 35×40 | 1.95 |        |       |       |       |       |       |       |       |       |       | 35×60 | 2.28 |  |  |  |
| 560       |        |      |       |      |       |      | 30×55 | 2.34 | 35×45 | 2.16 |        |       |       |       |       |       |       |       |       |       |       |      |  |  |  |
| 680       |        |      |       |      |       |      |       |      | 35×55 | 2.51 |        |       |       |       |       |       |       |       |       |       |       |      |  |  |  |
| 820       |        |      |       |      |       |      |       |      | 35×60 | 2.71 |        |       |       |       |       |       |       |       |       |       |       |      |  |  |  |

ケースサイズ Case Size φD×L(mm)  $\longrightarrow$  ↑  
 リプル電流 Ripple Current (A.r.m.s./120Hz,105°C)  $\longrightarrow$  ↑