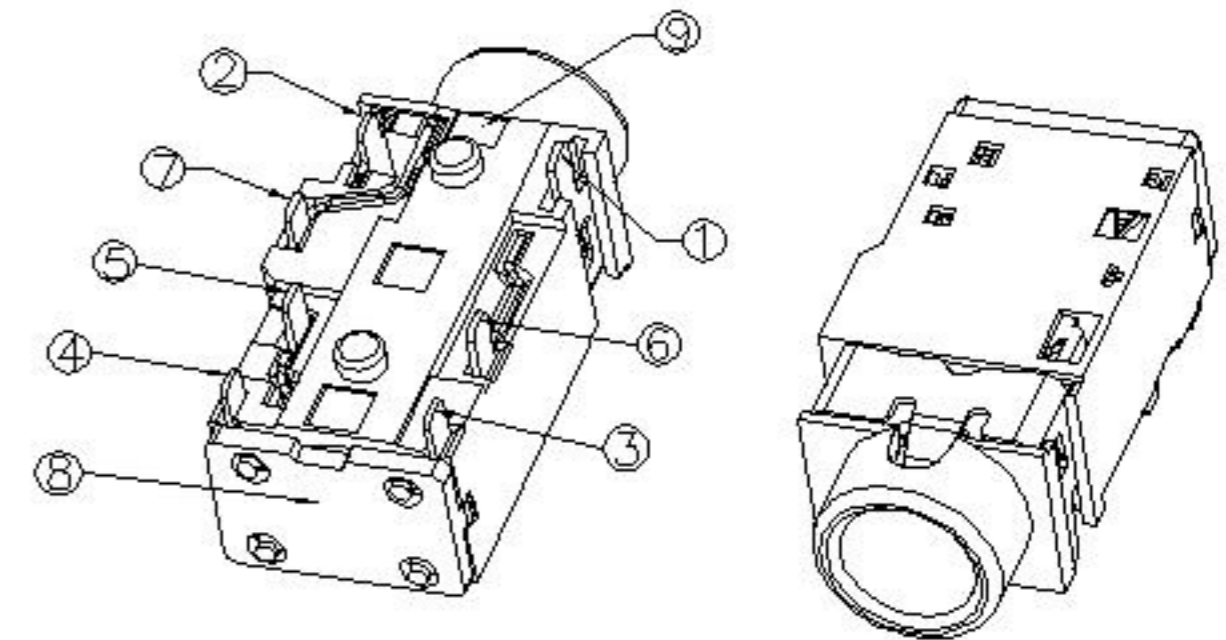
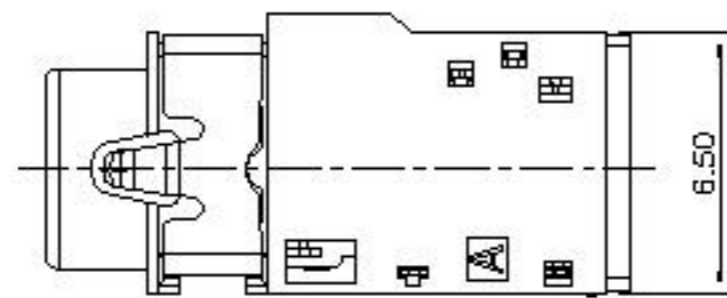
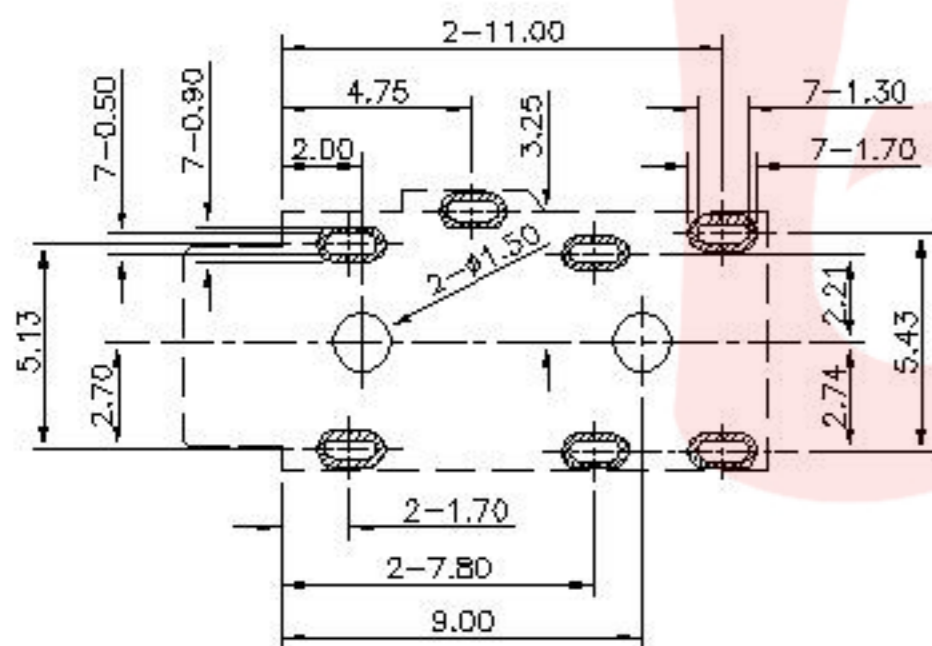
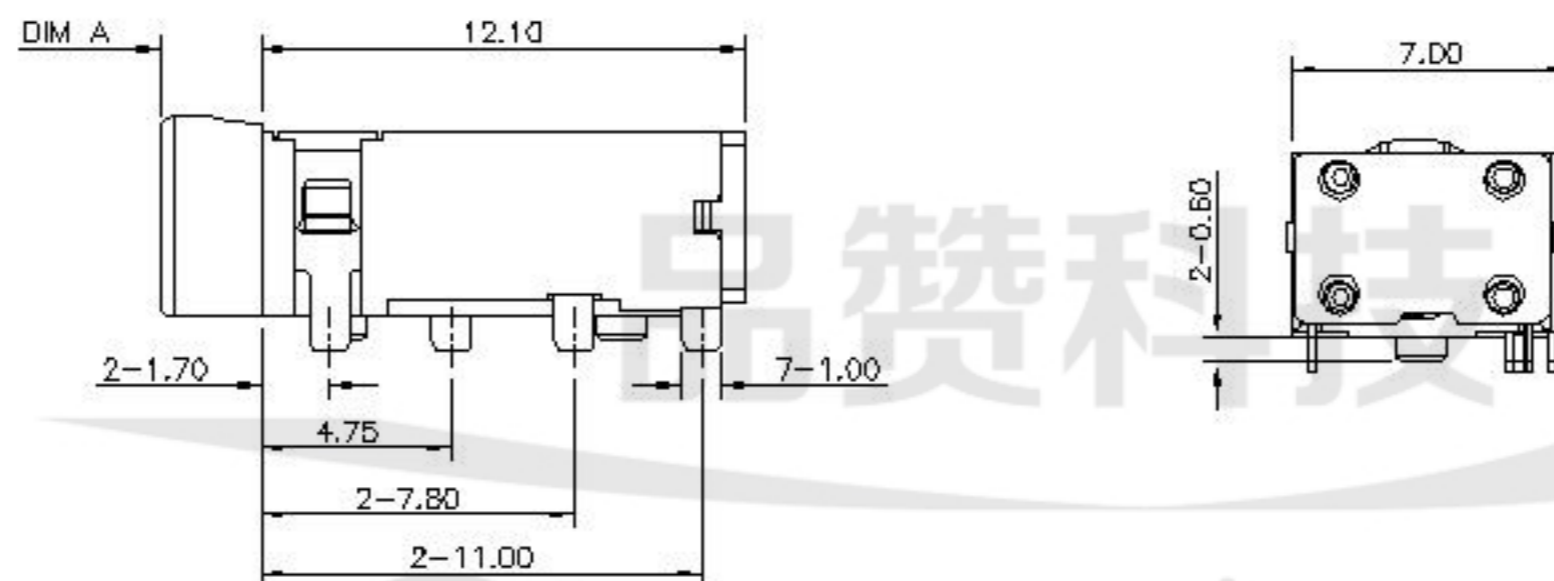
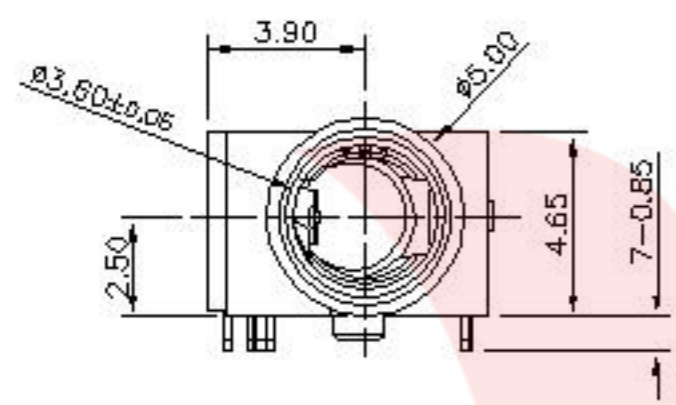


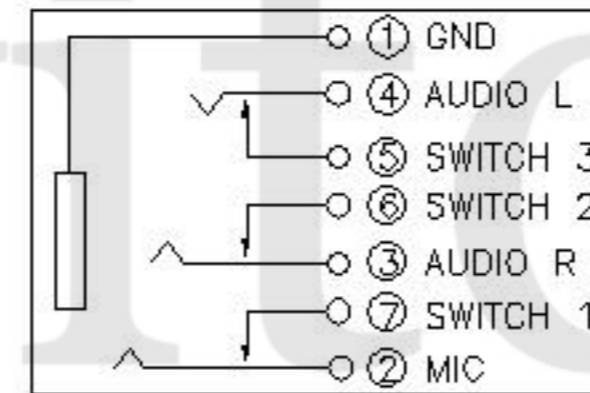
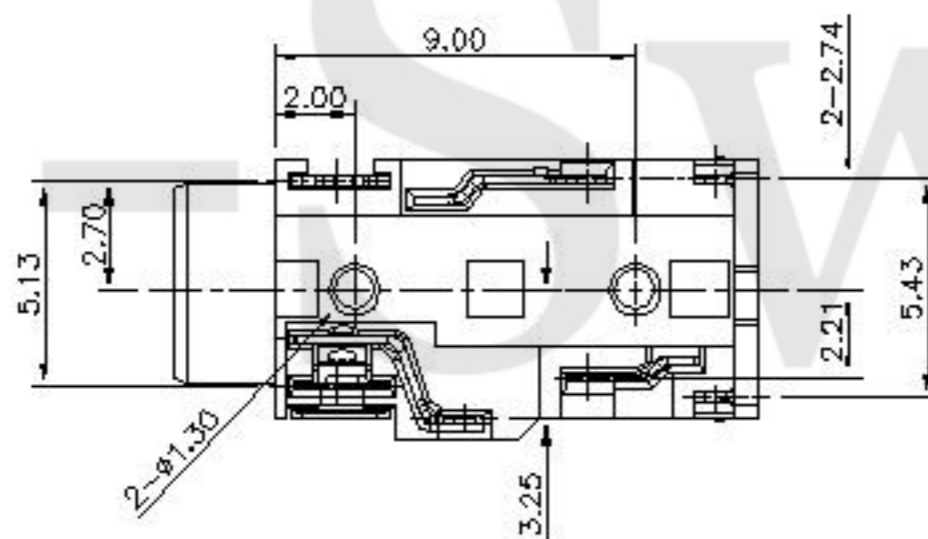
($\phi 3.50\text{mm}$ 4 POLE PLUG DETAIL DRAWING)



3D VIEW



RECOMMENDED PCB LAYOUT
TOP VIEW TOL: ± 0.05



SCHEMATIC

TABLE A:

ITEM	PART NUMBER	DIM A
01	ST-0322D00-071-182	2.50
02	ST-0322D0P-071-182	1.50

技术要求:

- 电气及机械特性要求如下:
 - 接触阻抗: $50\text{m}\Omega$ 以下;
 - 绝缘阻抗: $100\text{M}\Omega$ 以上;
 - 额定电压: 500V AC 以上;
 - 额定电流: 5.00A 以上;
 - 插入力: $0.3\sim 3.0\text{kgf}$ ($3\sim 30\text{N}$);
 - 拔出力: $0.3\sim 3.0\text{kgf}$ ($3\sim 30\text{N}$);
- 产品符合RoHS环保标准要求。

ITEM	PART NAME	Q'TY	MATERIAL	DESCRIPTION
09	HOUSING	1 PCS	HIGH TEMPERATURE PLASTIC	BLACK COLOR,UL94 V-0
08	COVER	1 PCS	HIGH TEMPERATURE PLASTIC	BLACK COLOR,UL94 V-0
07	CONTACT G	1 PCS	PHOSPHOR BRONZE T=0.20	Au Plated
06	CONTACT F	1 PCS	PHOSPHOR BRONZE T=0.20	Au Plated
05	CONTACT E	1 PCS	PHOSPHOR BRONZE T=0.20	Au Plated
04	CONTACT D	1 PCS	PHOSPHOR BRONZE T=0.20	Au Plated
03	CONTACT C	1 PCS	STAINLESS STEEL, T=0.20	Au Plated
02	CONTACT B	1 PCS	PHOSPHOR BRONZE T=0.20	Au Plated
01	CONTACT A	1 PCS	PHOSPHOR BRONZE T=0.20	Au Plated



G-Switch Electronic (HongKong) CO.,Ltd.

Unless otherwise specified, Tolerance:
 X. ± 0.30
 X.x ± 0.20
 X.xx ± 0.15
 X.xxx ± 0.10
 Angles $\pm 3^\circ$

DESIGN	陈梓桐	DATE	2016.05.29	TITLE:		
CHECKED		DATE		ST-0322D00-071-1A2H		
APPROVED		DATE				
http://www.dgswitch.com				REV.: X1	SCALE: 4:1	UNIT: mm
TEL:0769 82388879				SIZE: A4	SHEET: 1/1	