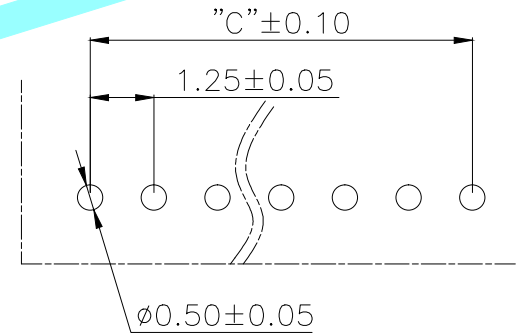
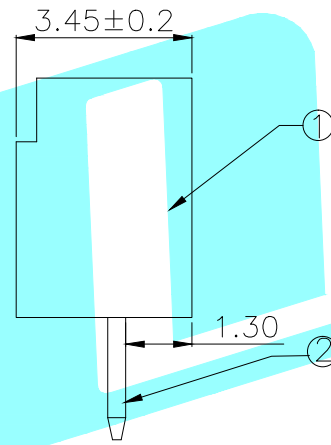
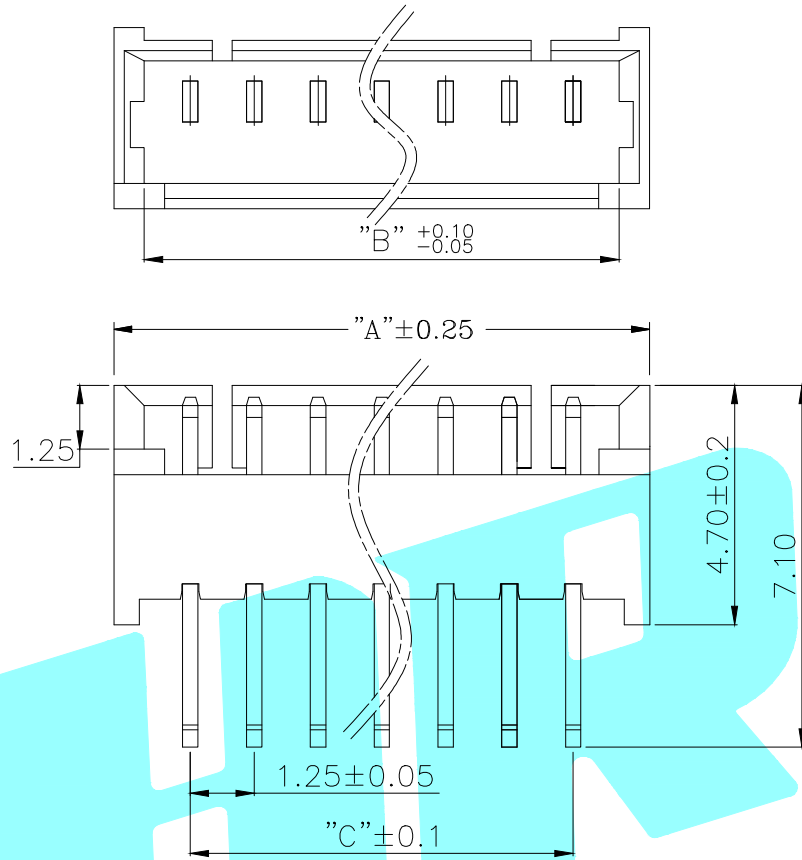


■ 技术参数 SPECIFICATIONS

- ◆ 适用线规: AWG#28~#32
- ◆ Applicable Wire: AWG#28~#32
- ◆ 额定电压: 125V DC,AC(rms)
- ◆ Rated voltage: 125V DC,AC(rms)
- ◆ 额定电流: 1A
- ◆ Rated Current: 1A
- ◆ 耐压值: 500V AC/minute
- ◆ Withstand voltage: 500V AC/min.
- ◆ 工作温度: -25°C ~ +85°C
- ◆ Working Temp: -25°C ~ +85°C
- ◆ 绝缘电阻: $\geq 1000 \text{ M}\Omega$
- ◆ Insulation resistance: $\geq 1000 \text{ M}\Omega$
- ◆ 接触电阻: $\leq 20\text{m}\Omega$
- ◆ Contact resistance: $\leq 20\text{m}\Omega$



P.C.B Layout

DIM. Poles	DIM A	DIM B	DIM C
2	4.25	3.05	1.25
3	5.50	4.30	2.50
4	6.75	5.55	3.75
5	8.00	6.80	5.00
6	9.25	8.05	6.25
7	10.50	9.30	7.50

DIM. Poles	DIM A	DIM B	DIM C
8	11.75	10.55	8.75
9	13.00	11.80	10.00
10	14.25	13.05	11.25
11	15.50	14.30	12.50
12	16.75	15.55	13.75
13	18.00	16.80	15.00

DIM. Poles	DIM A	DIM B	DIM C
14	19.25	18.05	16.25
15	20.50	19.30	17.50
16	21.75	20.55	18.75

②	PIN	—	—	Phosphor bronze	Ag-PLATED	—
①	Base	—	1	PA46	Thermoplastic	—
ITEM	PART NAME	TER'NO.	QTY.	MATERIAL	FINISHING	REMARK

APPROVALS		DATE		 ELECTRONICS CO.,LTD		
DRAWN	JIANKUN.LU	2015.03.17				
CHECKED				TITLE:	Bar Connector Series	
APPROVALS				PART NO.	1.25T-nP-DP	
TOLERANCES ARE	30~以上	±0.30	ANGLE	UNIT: mm	SCALE: 1:1	PROJ:
	10~30	±0.20				
	5~10	±0.15	±2'	DRAWING NO.		SHEET 1 OF 1
	~ 5	±0.10				

—	A	—	NEW	—	—	—
ECN NO.	REV.	DATE.	DESCRIPTION.	CHANGE.	CHECK.	APPRO.