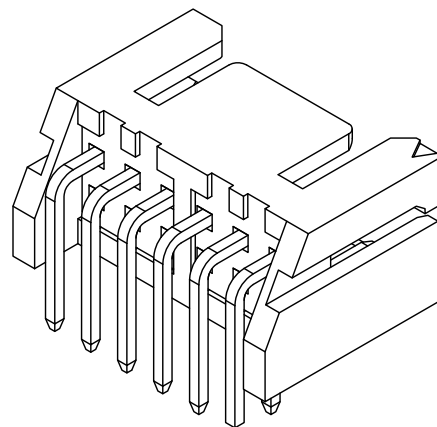
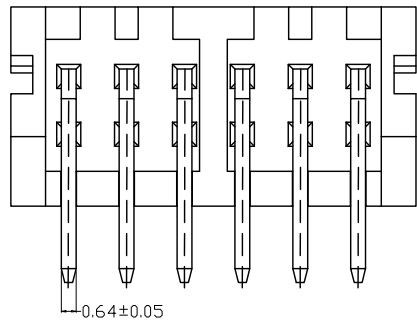


环保物料

TEL: 0769-82001899

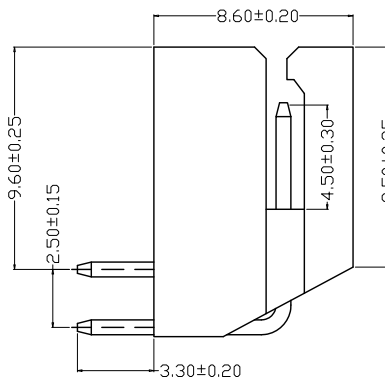
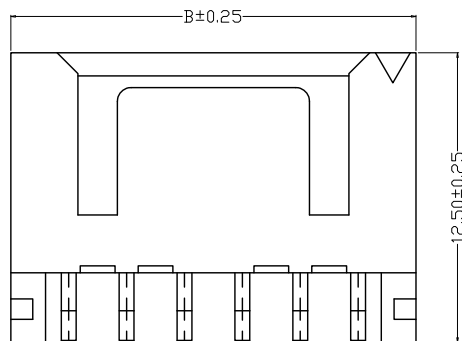


SPECIFICATIONS

- 1.Voltage rating: 250V AC, DC
- 2.Current rating: 3A, AC, DC
- 3.Withstanding Voltage: 800V AC/minute
- 4.Insulation resistance:1000M min
- 5.Temperature range: -25 ° C+85 ° C
- 6.Contact resistance: 30m max

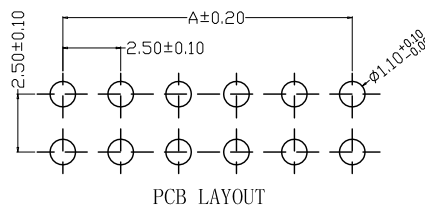
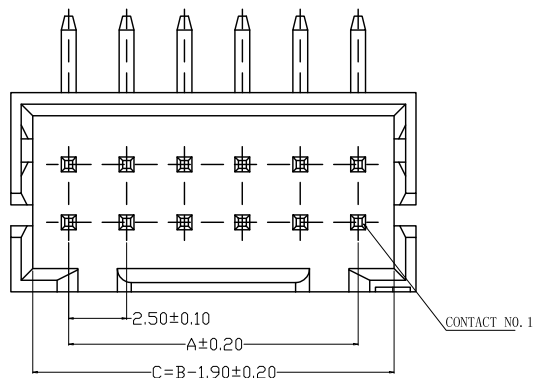
WAFER

Housing Material: Nylon66 UL 94V0
 Pin Material: Phosphor Bronze or Brass
 Contact Area Plating: Plated Tin or Plated Gold
 Mates with :P2577 series Housing
 Poles:04-40P
 Part No.: M2557R-2xXX-N0



Pin位数

编 号	尺寸 (mm)	
	A	B
2*02	2.50	7.50
2*03	5.00	10.00
2*04	7.50	12.50
2*05	10.00	15.00
2*06	12.50	17.50
2*07	15.00	20.00
2*08	17.50	22.50
2*09	20.00	25.00
2*10	22.50	27.50
2*11	25.00	30.00
2*12	27.50	32.50
2*20	47.50	52.50



TOLERANCE UNLESS OTHERWISE

X.	±0.30	X°	±5°
.X	±0.20	.X°	±2°
.XX	±0.08	.XX°	±1°
.XXX	±0.03	.XXX°	±0.5°

DRAWN

CK tan

CHKD

APPD

VIEW



XFCN 兴飞连接器有限公司
 XFCN CONNECTORS CO.,LTD.

PRODUCT NAME 2.50mm Crimp Style Connectors

PART. NO. M2557R-2xXX-N0

SHEET

DATE

UNITS

SCALE

DWG NO.

1/1

2020.04.12

mm

1:1

009

AO

VER

MODIFICATION

DRAW

DATE

G