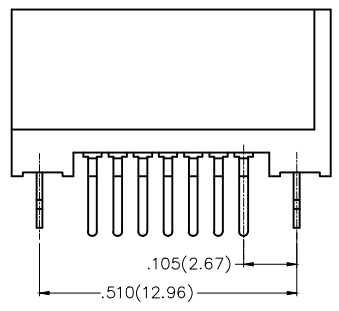
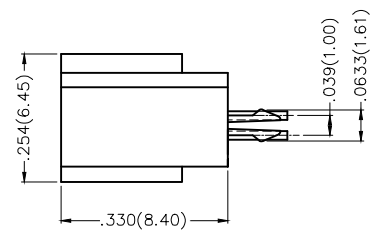
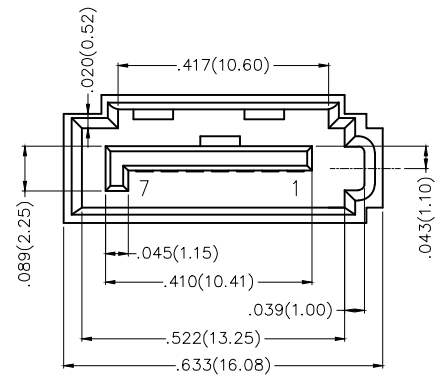
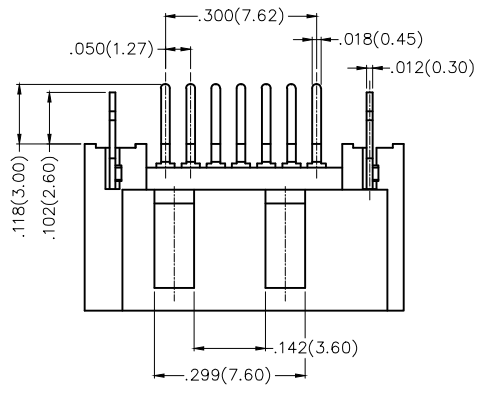


1 2 3 4 5 6 7 8

REV	LOCATIONS	DESCRIPTION	DATE	REVISER	APPD

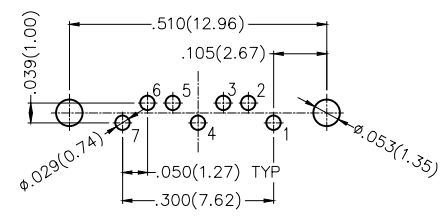
A
B
C
D
E
F



SPECIFICATIONS

Electrical
 Current Rating: 1.0A AC(rms)/DC
 Contact Resistance: 20 mΩ Max
 Insulation Resistance: 800 MΩ MIN
 Withstanding Voltage: 600V AC r.m.s
 Temperature Range—Operating: -40°C~+85°C

Material and Plating
 Housing: LCP+30%GF (UL 94V-0) Black
 Contact: Brass /Selective gold in contact area, tin on tail
 Board Lock: Brass /Tin Plated



Recommended P.C.Board Layout

Ordering Information

FST 07 05 — M D S 3 XX 3 K6 X
 1 2 3 4 5 6 7 8 9 10 11

1	Category FST-SATA	2	Circuits 07-7 Circuits	3	Distinction No. 05	4	Type M-Male	5	Assembly Layout D-DIP	6	Entry Angle S-180° Vertical
7	Plating 3-Selective gold in contact area, tin on tail	8	Thickness of Plating 00-Gold Flash 03-3μ" Custom plate available	9	Material-Resin 3-LCP	10	Color-Resin K6-Black	11	Packaging L-Tube K-Tray		

 THIRD ANGLE PROJECTION	GENERAL TOLERANCES (UNLESS SPECIFIED)		APPROVE BY FRANK	DATE 01/JUL/13	PART NO. FST0705-MDS3XX3K6X	ITEM NO. FST0705	 Leader Of Industry
	X.±.012(0.30)	X'.±5'	CHECKED BY CHERRY	DATE 01/JUL/13	TITLE SATA Connector 7 Circuits Male (DIP)		
DESIGN UNITS Inch (metric)	X.XX±.008(0.20)	.X'±2'	DRAWN BY JACOB	DATE 01/JUL/13	THIS DRAWING CONTAINS INFORMATION THAT IS PROPRIETARY TO TXGA INDUSTRIAL ELECTRONICS(S.Z)CO.,LTD AND SHOULD NOT BE USED WITHOUT WRITTEN PERMISSION		
SCALE 5:1	SIZE A4	X.XX±.006(0.15)					
		X.XXX±.004(0.10)					

1 2 3 4 5 6 7 8