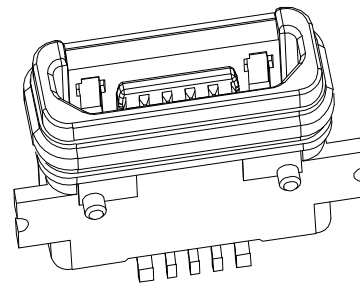
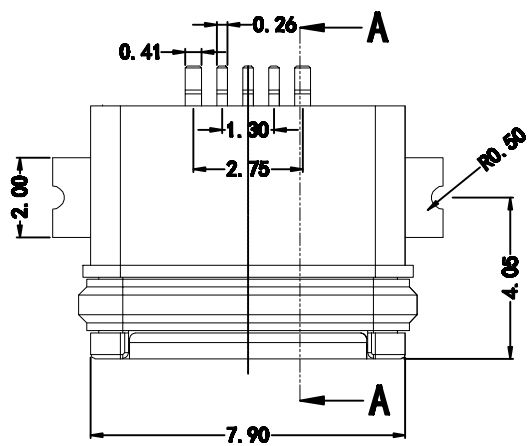
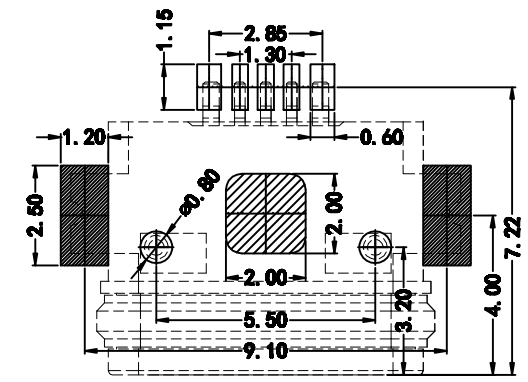
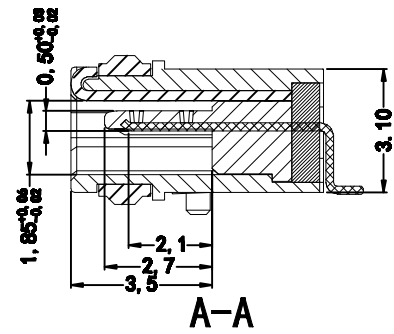
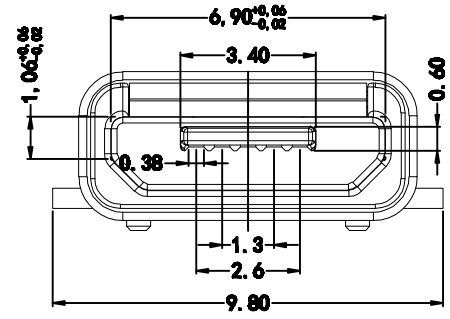
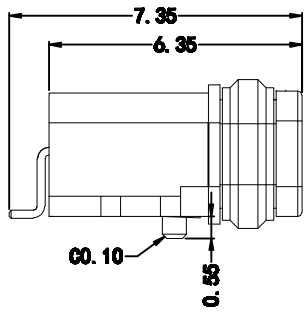


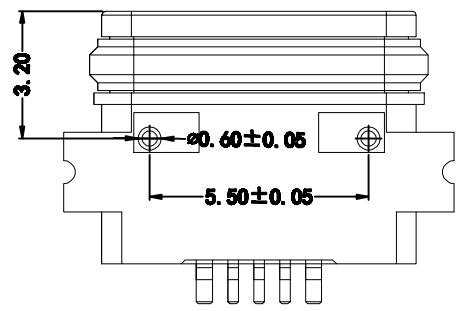
7	8	9	10
MAPX	MODIFICATION		DATE



Note:
 1.Material:
 1.1 Housing: High temperature thermoplastic with g.f.IUL94v-0
 1.2 Contact: copper alloy,t=0.20mm
 1.3 Shell-1: kirsita
 1.4 Shell-2: SUS304 t=0.25mm
 2.Specification:
 2.1 Current rating:1.5PIN 1.8A Max/2.3,4PIN 1A Max.
 2.2 Dielectric withstanding voltage: 100 V(ac) for 1 min.
 2.3 Contact resistance: 30 mΩ Max.
 2.4 Insulation resistance: 100 MΩ Min.
 2.5 Total mating force: 3.57 Kgf Max.
 2.6 Total unmating force: 1.0 Kgf Min.
 2.7 Temperature range: -30°C~80°C



RECOMMENDED PCB LAYOUT
 PCB图仅供参考



产品图 PRODUCT CHART DWG 公差一览表 TOLERANCE UNLESS OTHERWISE		深圳市精拓金电子有限公司							
单位 UNITS	MM	制图 DRAWING	YANG	制图料号 PRODUCT PART NO.	920-A64A2091S101A3				
.X	±0.30 X	±5.°	审核 CHKD	产品名称 PRODUCT NO.	MICRO SPIN 插脚式 1.6.35 脚全封装 超薄有引脚子 0.1mm 间距				
.XX	±0.25 .X	±2.°	核准 APPD	角法 VIEW	版本 VER	A0			
.XX	±0.15 .XX	±1.°	日期 DATE	2019.11.23					
.XXX	±0.10 .XXX	±0.5°							