

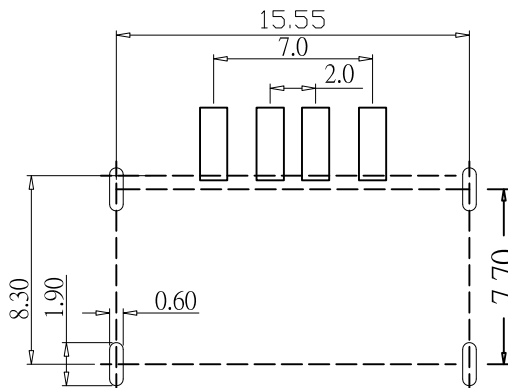
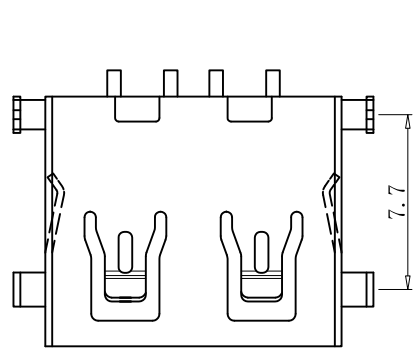
RoHS

MAPX

MODIFICATION

DRW

DATE



规格说明: Specifications:

电气特性: Electrical:

- 额定电流: Current Rating
1.5A/contact terminal
- 额定电压: Voltage Rating
30V DC
- 接触电阻: Contact Resistance
30 milliohms MAX
- 耐电压: Dielectric Withstanding Voltage:
500 V AC AT Sea Level
- 绝缘电阻: Insulation Resistance:
1000MEGA ohms MIN

物理性能: Mechanical:

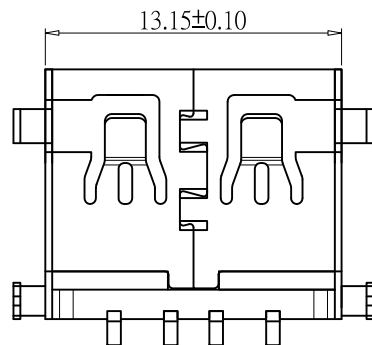
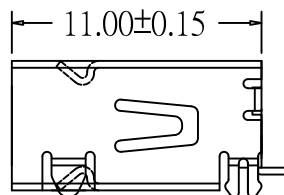
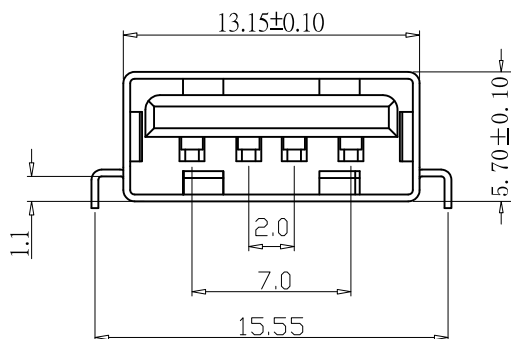
- 插拔力: Connector Mate and Unmate Force
Mate force: 3.57kgf(MAX)
Unmate force: 1.02kgf(MIN)
- 端子保持力: Terminal Retention
1.0kgf(MIN)

原材料: Material:

- 塑胶: Housing:
Hing Temperature Ternmaplastics,
- 端子: Contact: Copper Alloy C2680
- 外壳: Shell: Copper Alloy C2680/SPCC

电镀: Finish:

- 端子: Contact: Plated Gold in Mating Area;
Tin On Solder Talls
端子四周镀50U"(MIN)锡, 镀金区域镀100-200U"镀金1U"
- 外壳: Shell:
铜壳四周镀80U"(MIN)锡
Nickel Plating



产品图

PRODUCT CHART DWG

公差一览表
TOLERANCE UNLESS OTHERWISE

| | | | |
|------|-------|------|-------|
| X. | ±0.25 | X. | ±5.° |
| X | ±0.20 | .XX | ±2.° |
| .XX | ±0.15 | .XXX | ±1.° |
| .XXX | ±0.10 | .XXX | ±0.5° |

深圳市精拓金电子有限公司
Shenzhen Jing Tuo Jin Electronics Co., Ltd.

| | | | | | |
|-------------|------------|---------------|-----|--------------------------|----------------------------------|
| 单位 UNITS | MM | 制图 DRAWING | 尹先华 | 制图料号 PRODUCT PART NO. | 905-761A2022S10206 |
| 比例 SCALE | 1:1 | 审核 CHKD | 郭志富 | 产品名称 PRODUCT NO. | AF11.03沉板1.1四脚插板脚距7.7无边铁壳LCP黑色贴板 |
| 日期 DATE | 2021-04-12 | 核准 APPD | 黄国荣 | 角法 VIEW | 版本 VER |
| | | | | | A0 |