

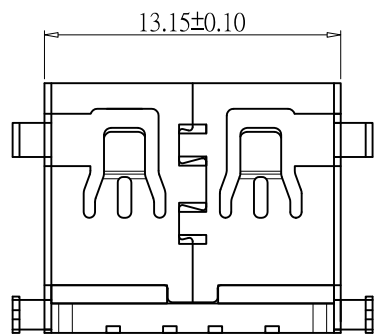
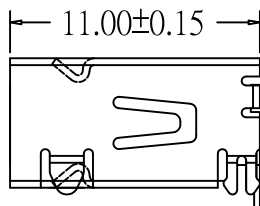
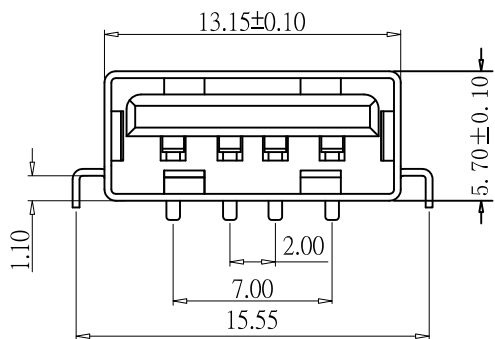
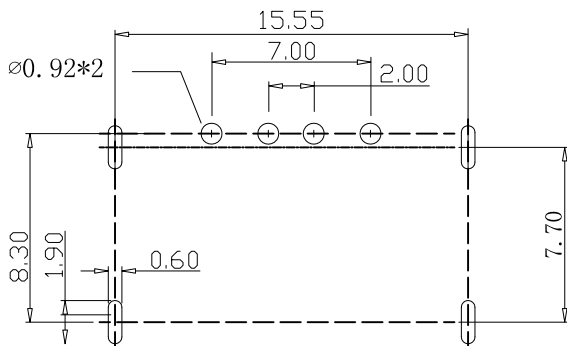
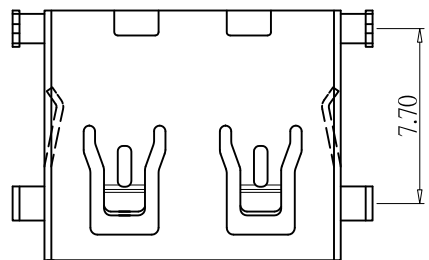
RoHS

MAPX

MODIFICATION

DRW

DATE



规格说明: Specifications:

电气特性: Electrical:

- 额定电流: Current Rating
1.5A/contact terminal
- 额定电压: Voltage Rating
30V DC
- 接触电阻: Contact Resistance
30 milliohms MAX
- 耐压: Dielectric Withstanding Voltage:
500 V AC AT Sea Level
- 绝缘电阻: Insulation Resistance:
1000MEGA ohms MIN

物理性能: Mechanical:

- 插拔力: Connector Mate and Unmate Force
Mate force: 3.57kgf(MAX)
Unmate force: 1.02kgf(MIN)
- 端子保持力: Terminal Retention
1.0kgf(MIN)

原材料: Material:

- 塑胶: Housing:
Hing Temperature Ternmaplastics,
- 端子: Contact: Copper Alloy C2680
- 外壳: Shell: Copper Alloy C2680/SPCC

电镀: Finish:

- 端子: Contact: Plated Gold in Mating Area;
Tin On Solder Talls
端子四周镀50U"(MIN)锡,镀金区域镀100-200U"镀金1U"
- 外壳: Shell:
外壳四周镀80U"(MIN)锡
Nickel Plating

产品图

PRODUCT CHART DWG

深圳市精拓金电子有限公司
Shenzhen Jing Tuo Jin Electronics Co., Ltd.

公差一览表 TOLERANCE UNLESS OTHERWISE				单位 UNITS	制图 DRAWING	制图料号 PRODUCT PART NO.	日期 DATE		
X.	±0.25	X.	±5°	MM	尹先华	905-761A2022D10202			
X	±0.20	.X	±2°	比例 SCALE	郭治富	产品名称 PRODUCT NO.	AF/90度11.0沉板1.1四脚插板脚距7.7无边铁壳LCP黑色		
.XX	±0.15	.XX	±1°	日期 DATE	核准	角法 VIEW	版本 VER	A0	
.XXX	±0.10	.XXX	±0.5°	2021-04-12	黄国荣				