

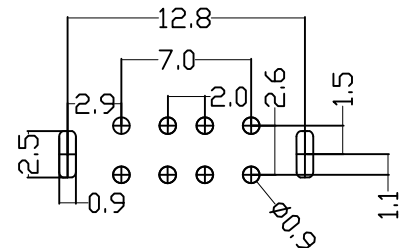
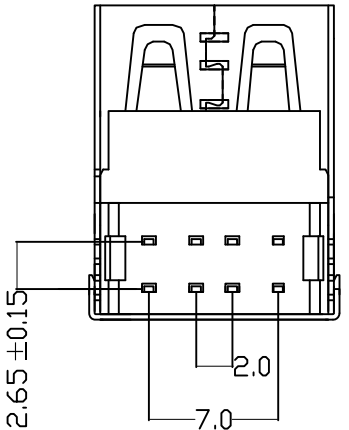
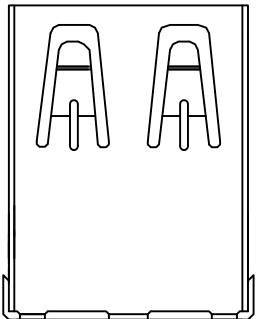
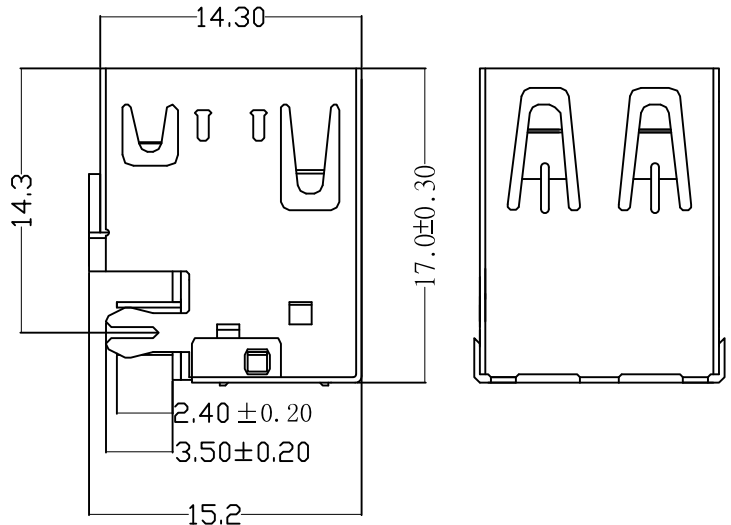
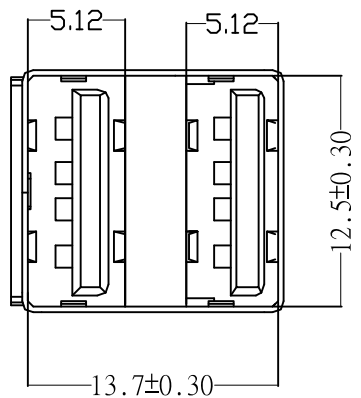
MAPX	MODIFICATION	DATE

NOTES:

- 1. HOUSING: SEE NOTES, UL94V-0 .
- TERMINAL: SEE NOTES.
- SHELL: SEE NOTES.

SPECIFICATION:

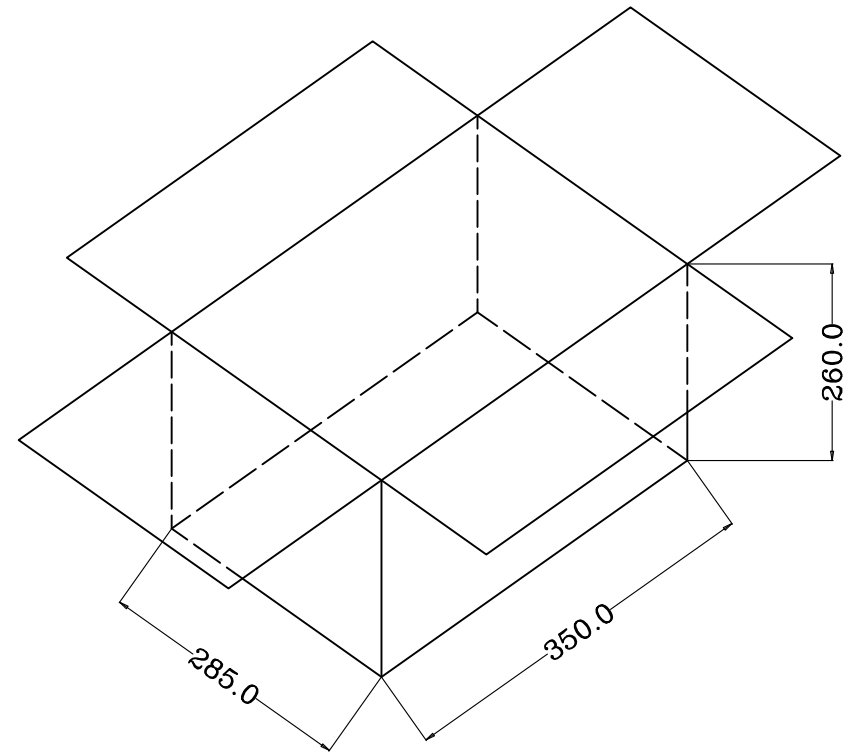
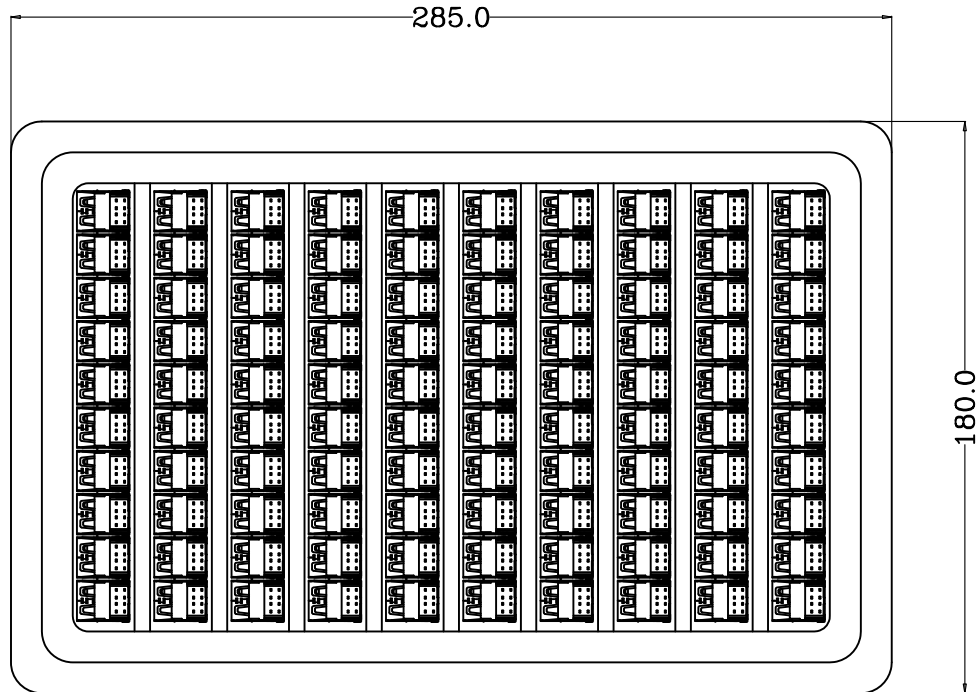
- 1. ELECTRICAL CHARACTERISTIC:
 - CONTACT RESISTANCE: 30MΩ MAX
 - DIELECTRIC WITHSTANDING VOLTAGE: 500V AC FOR 1MIN
 - INSULATION RESISTANCE: 1000MΩ MIN
- 2. MECHANICAL CHARACTERISTIC:
 - INSERTION FORCE: 35N(3.57KGF) MAX
 - EXTRACTION FORCE: 10~35N(1.02~3.57KGF)MIN
 - DURABILITY: 1500 CYCLES EXTRACTION FORCE:10~35N
5000 CYCLES MIN
 - 5000 CYCLES EXTRACTION FORCE:3~35N
- 3. ENVIRONMENTAL:
 - OPERATING TEMPERATURE: -55℃+85℃
- 4. Contact finish:
 - 01:Selective Gold Flash
 - 02:Selective Gold 3U"
 - 03:Selective Gold 5U"
 - 04:Selective Gold 15U"
 - 05:Selective Gold 30U"



RBCOMMENDBD P. C. B PATTBRN LAY OUT

产品图 PRODUCT CHART DWG				深圳市精拓金电子有限公司						
公差一览表 TOLERANCE UNLESS OTHERWISE				单位 UNITS	MM	制图 DRAWING	尹先华	制图料号 PRODUCT PART NO.	907-421A1026P10200	
X.	±0.25	X.	±5.°	比例 SCALE	1:1	审核 CHKD	郭治富	产品名称 PRODUCT NO.	AF90度双层17.0沉板鱼叉脚无边铁壳黑胶24H	
.X	±0.20	.X	±2.°	日期 DATE	2021-04-13	核准 APPD	黄国荣	角法 VIEW	版本 VER	AO
.XX	±0.15	.XX	±1.°							
.XXX	±0.10	.XXX	±0.5°							

MAPX	MODIFICATION	DATE



- 1, 包装盒为PVC透明吸塑盒
- 2, 每盒包装数量为100PCS
- 3, 每箱包装数量为3000PCS
- 4, 纸箱规格为350*285*260MM
- 5, 100PCS*10盘*2捆
- 6, 100PCS*5盘*2捆

产品图 PRODUCT CHART DWG				深圳市精拓金电子有限公司							
公差一览表 TOLERANCE UNLESS OTHERWISE				单位 UNITS	MM	制图 DRAWING	尹先华	制图料号 PRODUCT PART NO.	907-421A1026P10200		
X.	±1.00	X.	±5.	比例 SCALE	1:1	审核 CHKD	郭治富	产品名称 PRODUCT NO.	AF90度双层17.0沉板鱼叉脚无边铁壳黑胶24H		
.X	±0.80	.X	±2.	日期 DATE	2021-04-13	核准 APPD	黄国荣	角法 VIEW		版本 VER	AO
.XX	±0.50	.XX	±1.								
.XXX	±0.30	.XXX	±0.5'								