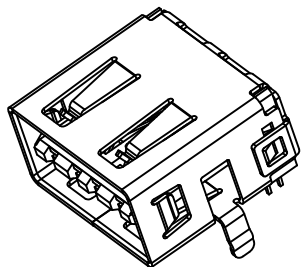
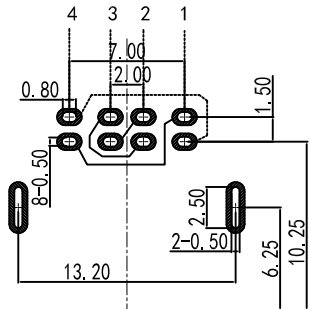
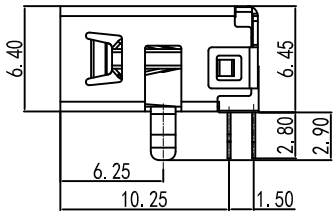
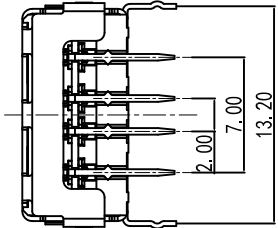
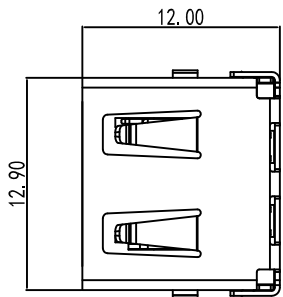


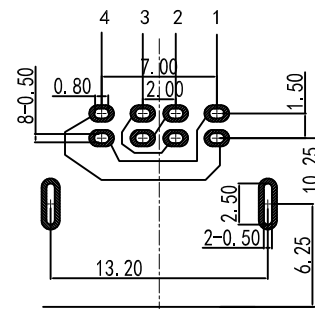
MAPX	MODIFICATION	DATE



- NOTES:
- MATERIAL:
    - HOUSING: THERMOPLASTIC COLOR: BLACK
    - CONTACT: COPPER ALLOY
    - SHELL: STAINLESS STEEL OR K7
  - PLATING; CONTACT:
    - GOLD FLASH CONTACT AREA; 120u" TIN SOLDER; NICKEL OVER ALL
    - 5u" GOLD CONTACT AREA; 120u" TIN SOLDER; NICKEL OVER ALL
    - 15u" GOLD CONTACT AREA; 120u" TIN SOLDER; NICKEL OVER ALL SHELL: NICKEL OVER ALL
  - ENVIRONMENTAL:
    - OPERATION TEMPERATURE: -40° C ~ +85° C
  - PRODUCT COMPLIANT TO THE REQUEST OF RoHS



PCB LAYOUT T=2.1mm(max)  
TOP VIEW TOLERANCE: ±0.1mm  
2层或以上PCB板建议布线方式



PCB LAYOUT T=2.1mm(max)  
TOP VIEW TOLERANCE: ±0.1mm  
单层板建议布线方式

产品图 PRODUCT CHART DWG				深圳市精拓金电子有限公司							
公差一览表 TOLERANCE UNLESS OTHERWISE				单位 UNITS	MM	制图 DRAWING	尹先华	制图料号 PRODUCT PART NO.	909-161C2021D10100		
X.	±0.25	X.	±5°	比例 SCALE	1:1	审核 CHKD	郭治富	产品名称 PRODUCT NO.	AF90度12.0双面插直脚无边铁壳LCP黑胶6.45 8P		
.X	±0.20	.X	±2°	日期 DATE	2021-04-13	核准 APPD	黄国荣	角法 VIEW	版本 VER	AO	
.XX	±0.15	.XX	±1°								
.XXX	±0.10	.XXX	±0.5°								