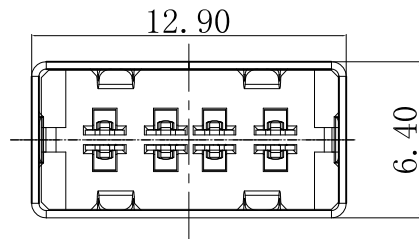
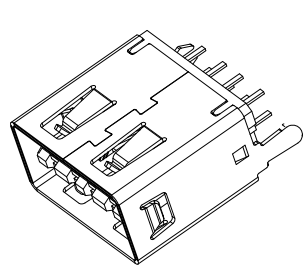


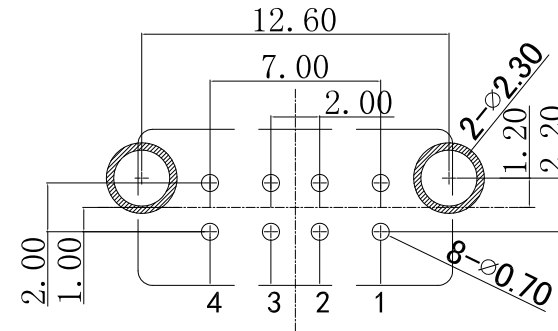
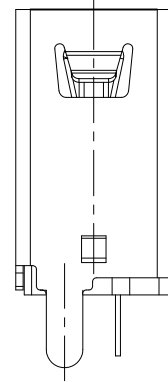
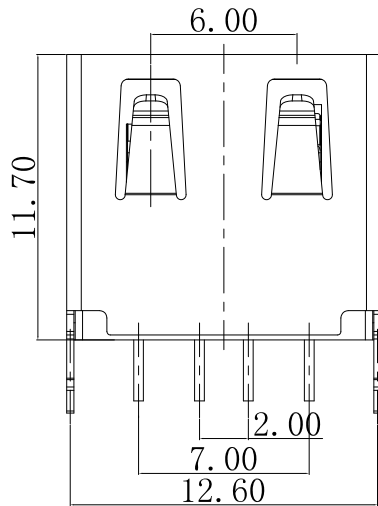
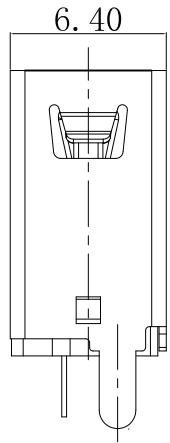
目錄 MAPX	設變內容 MODIFICATION	日期 DATE



NOTES:

- 1.MATERIAL:
  - 1.1 HOUSHING: THERMOPLASTIC COLOR: BLACK
  - 1.2 CONTACT: COPPER ALLOY
2. PLATING; CONTACT:
  - 1). GOLD FLASH CONTACT AREA;120u" TIN SOLDER;NICKEL OVER ALL
  - 2). 5u" GOLD CONTACT AREA;120u" TIN SOLDER;NICKEL OVER ALL
  - 3). 15u" GOLD CONTACT AREA;120u" TIN SOLDER;NICKEL OVER ALL
- 4.ENVIRONMENTAL:
 

OPERATION TEMPERATURE: -40° C~+85° C
- 5.PRODUCT COMPLIANT TO THE REQUEST OF RoHS



PCB LAYOUT T=1.6mm(max)  
BOTTOM VIEW TOLERANCE:±0.1mm

产品图 PRODUCT CHART DWG				深圳市精拓金电子有限公司						
公差一览表 TOLERANCE UNLESS OTHERWISE				单位 UNITS	MM	制图 DRAWING	尹先华	产品料号 PRODUCT PART NO.	916-261C202FY10200	
X.	±0.25	X'	±5°	比例 SCALE	1:1	审核 CHKD	郭治富	产品名称 PRODUCT NO.	AF180度双面插直脚无边铁壳LCP黑胶8P	
.X	±0.20	.X'	±2°							
.XX	±0.15	.XX'	±1°	日期 DATE	2021-04-14	核准 APPD	黄国荣	角法 VIEW	版本 VER	A0
.XXX	±0.10	.XXX'	±0.5°							