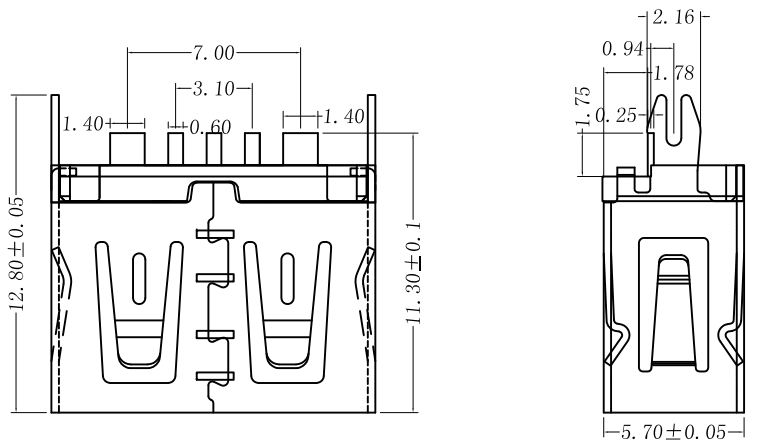


MAPX	MODIFICATION	DATE



规格说明:Specifications:

电气特性:Electrical:

1. 额定电流: Current Rating  
5A/contact terminal
2. 额定电压: Voltage Rating  
30V DC
3. 接触阻抗: Contact Resistance  
30 milliohms MAX
4. 耐电压: Dielectric Withstanding Voltage:  
500 V AC AT Sea Level
5. 绝缘阻抗: Insulation Resistance:  
1000MEGA ohms MIN

物理性能: Mechanical:

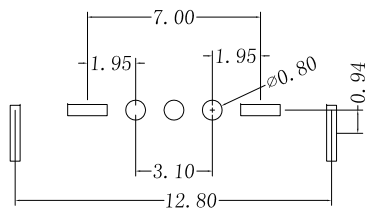
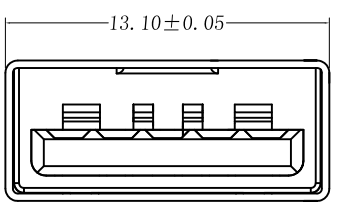
1. 插拔力: Connector Mate and Unmate Force  
Mate force: 3.57kgf (MAX)  
Unmate force: 1.02kgf (MIN)
2. 端子保持力: Terminal Retention  
1.0kgf (MIN)

原材料: Material:

1. 塑胶: Housing:  
High Temperature LCP green/blue/red
2. 端子: Contact: Copper Alloy C2680
3. 外壳: Shell: Copper Alloy C2680/SPCC

电镀: Finish:

1. 端子: Contact: Plated Gold in Mating Area;  
Tin On Solder Tails  
端子四周镀50U" (MIN) 锡, 镀金区域镀100-200U" 镀金3U"
2. 外壳: Shell:  
铁壳四周镀80U" (MIN) 锡 盐雾24H  
Nickel Plating



P C B

产品图 PRODUCT CHART DWG		深圳市精拓金电子有限公司							
公差一览表 TOLERANCE UNLESS OTHERWISE		单位 UNITS	MM	制图 DRAWING	尹先华	制图料号 PRODUCT PART NO.	916-361A3114Y40200		
X.	±0.30	X.	±5.°	比例 SCALE	1:1	审核 CHKD	郭治富	产品名称 PRODUCT NO.	AF大电流10.0短体180度鱼叉脚无边铁壳PA9T橙色5PIN
.X	±0.25	.X	±2.°	日期 DATE	2021-04-14	核准 APPD	黄国荣	角法 VIEW	版本 VER
.XX	±0.15	.XX	±1.°						AO
.XXX	±0.10	.XXX	±0.5°						