

RoHS

MAPX

MODIFICATION

DRW

DATE

NOTES:

1.MATERIAL:

1.1 Housing:PBT ,UL94-HB

1.2 terminals:Copper Alloy

Gold plated in contact area:

Tin 40u"min plated in termination

Nickel Plated overall

1.3 Shell:SPCC t=0.30mm,

Nickel 40u"min Plated overall

2.ELECTRICAL CHARACTERISTICS:

2.1 Rating Current :1.5 Ampere

2.2 Rating Voltage :30 V Max

2.3 Contact Resistance:30 Milli ohms

2.4 Insulation Resistance:1000 Mega ohms Min

3.MECHANICAL CHARACTERISTICS:

3.1 Connector Mating force: 35N MAX(3.57Kgf)

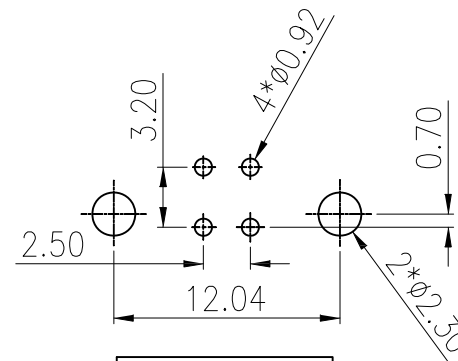
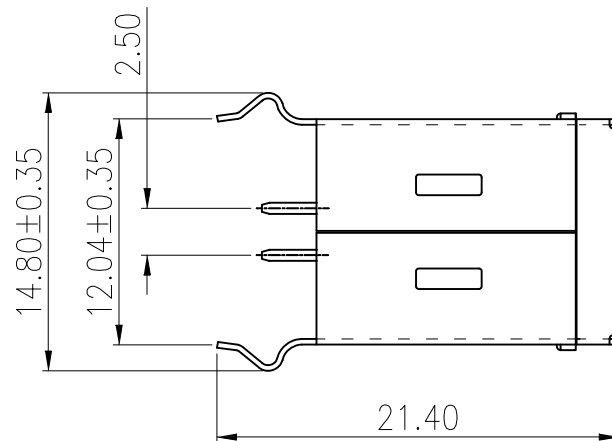
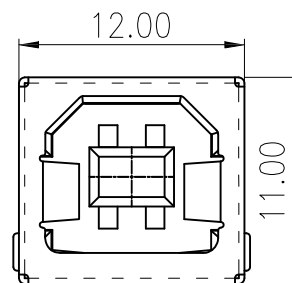
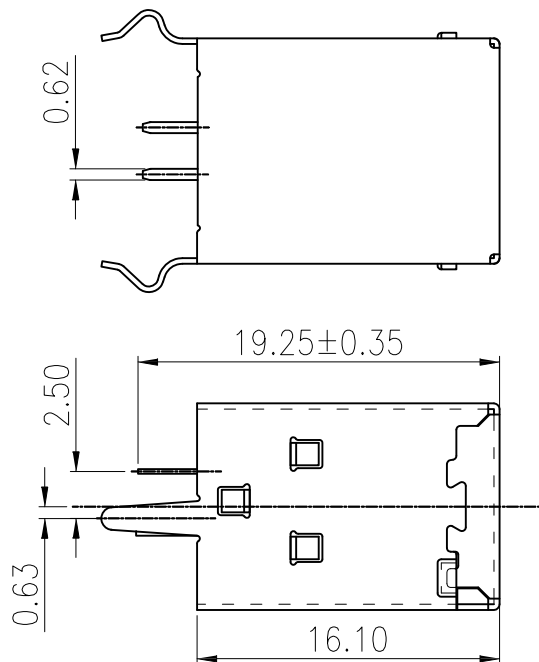
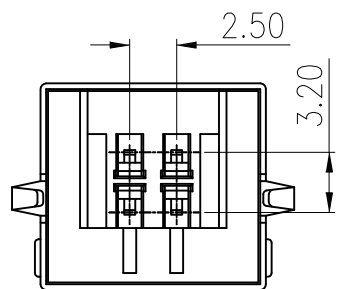
3.2 Connector Unmating force:10N min(1.02Kg)

3.3 Durability:1500Cycles.

4.ENVIRONMENT CHARACTERISTICS:

4.1 Operating temperature:-0℃ to +50℃

4.2 Storage temperature:-20℃ to +60℃



PCB.LAYOUT

产品图 PRODUCT CHART DWG				深圳市精拓金电子有限公司 Shenzhen Jing Tuo Jin Electronics Co., Ltd.					
公差一览表 TOLERANCE UNLESS OTHERWISE				单位 UNITS	MM	制图 DRAWING	尹先华	制图料号 PRODUCT PART NO.	921-111A1010Y10201
X.	±0.30	X.	±5.°	比例 SCALE	1:1	审核 CHKD	郭治富	产品名称 PRODUCT NO.	BF180度铁壳L16.2弯脚白胶
.X	±0.25	.X	±2.°	日期 DATE	2021-04-15	核准 APPD	黄国荣	角法 VIEW	⊕
.XX	±0.20	.XX	±1.°					版本 VER	AO
.XXX	±0.10	.XXX	±0.5°						