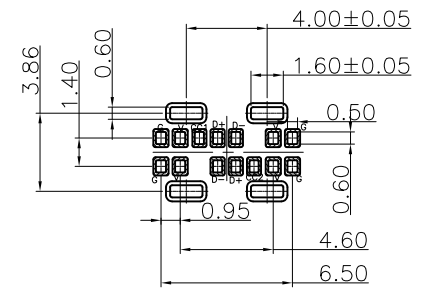
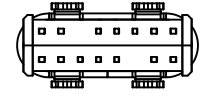
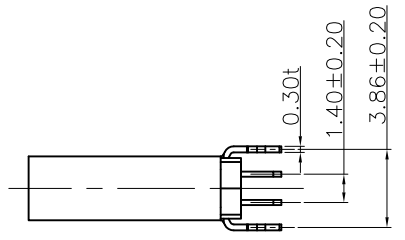
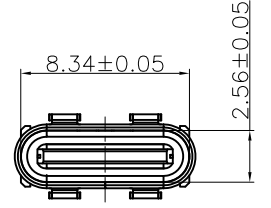
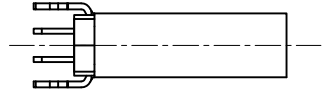
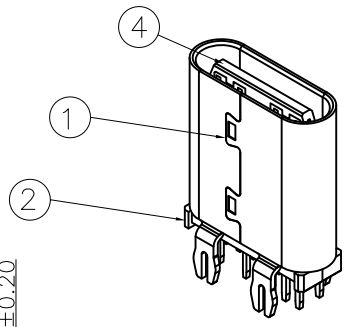
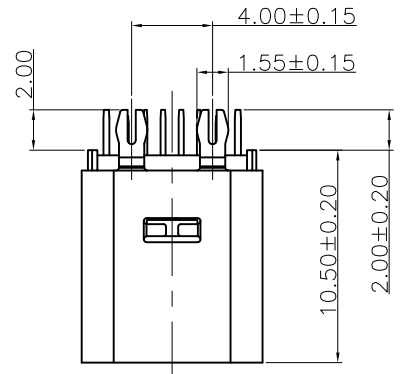
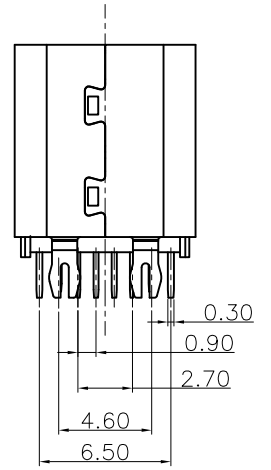


MAPX	MODIFICATION	DATE



RECOMMENDED P.C.B. LAYOUT  
TOLERANCE UNSPECIFIED ±0.05mm



NOTE :  
TC01FD014SX04ZA  
1  
1.Seletive Plating  
S1:5u" Gold In Contact Area  
100u" Tin In Tail Area  
S2:0.8u" Gold In Contact Area  
100u" Tin In Tail Area  
S3:10u" Gold In Contact Area  
100u" Tin In Tail Area  
S4:15u" Gold In Contact Area  
100u" Tin In Tail Area  
S5:30u" Gold In Contact Area  
100u" Tin In Tail Area

NO.	DESCRIPTION	MATERIAL	COLOR	REMARK
7				
6				
5				
4	TYPE C MD	HIGH TEMP	BLACK	UL 94V-0
3	CENTER PIECE	STAINLESS STEEL	—	NO Plated
2	TYPE C TERMINAL	COPPER ALLOY	—	Gold Plated
1	SHELL	STAINLESS STEEL	—	Ni Plated

<b>产品图</b> PRODUCT CHART DWG		<b>深圳市精拓金电子有限公司</b>							
公差一览表 TOLERANCE UNLESS OTHERWISE		单位 UNITS	MM	制图 DRAWING	尹先华	制图料号 PRODUCT PART NO.	918-418K2022Y40011		
X, ±0.35	X, ±5°	比例 SCALE	1:1	审核 CHKD	郭治富	产品名称 PRODUCT NAME	TYPE-C3.1母座立式10.5四鱼叉脚不 锈钢外壳LCP黑胶 14PIN		
.X ±0.25	.X ±2°	日期 DATE	2021-04-15	核准 APPD	黄国荣	角法 VIEW		版本 VER	A0
.XX ±0.20	.XX ±1°								
.XXX ±0.10	.XXX ±0.5°								