

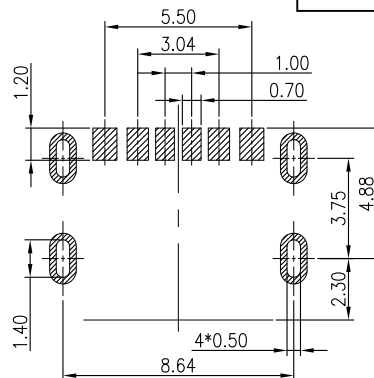
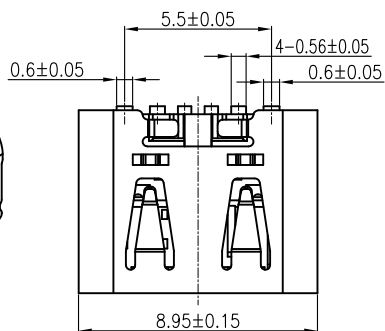
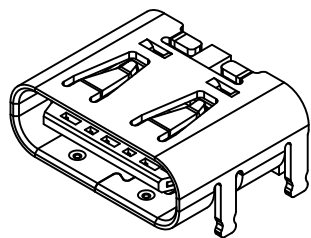
RoHS

MAPX

MODIFICATION

DRW

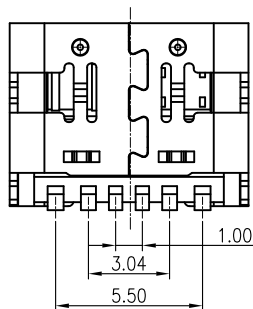
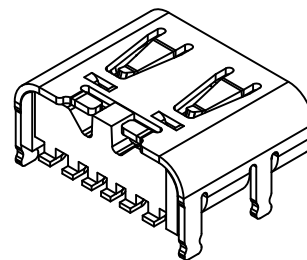
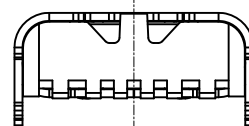
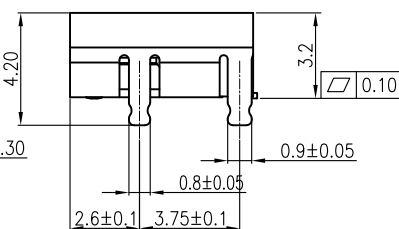
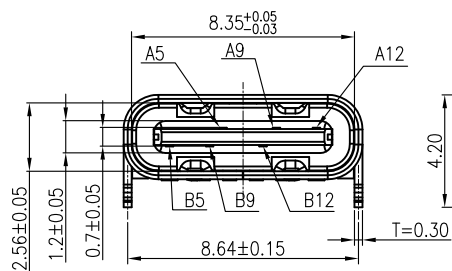
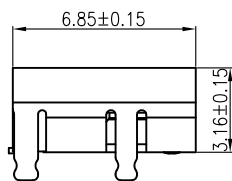
DATE



RECOMMENDED P.C.B. LAYOUT
TOLERANCE UNSPECIFIED ±0.05mm

NOTES:

- MATERIAL:
MOLDING: LCP UL94 V-0
CONTACT: COPPER ALLOY.
- Finished: contact area: plating Au 0.8u",
solder tail: plating Au 0.8u", all plating Ni 40u"
SHELL: SUS201-1/2H, T=0.30±0.03mm
50u" NICKEL PLATING OVER ALL.
- MECHANICAL:
INSERTION: 5~20N.
EXTRACTION: 8~20N AFTER TEST.
DURABILITY: 8000 CYCLES
- ELECTRICAL:
CURRENT: 5A FOR VBUS;
1.25A FOR GND PIN.
0.25A FOR OTHER.
- VOLTAGE: 20 V MAX
WITHSTANDING VOLTAGE: 100V AC R.M.S.
CONTACT RESISTANCE: 40mΩ MAX.
INSULATION RESISTANCE: 100MΩ MIN.
- ENVIRONMENTAL
TEMPERATURE RANGE -25°C ~ +85°C



B12	GND
B9	VBUS
B5	CC2
A5	CC1
A9	VBUS
A12	GND
PIN	SIGNAL NAME

3	SHELL	STAINLESS STEEL	Ni/Cu Plated	1PCS
2	CONTACT	BRASS	Au Plated	1SET
1	MD	HIGH TEMPERATURE PLASTIC	BLACK	1PCS
NO.	DESCRIPTION	MATERIAL	REMARKS	QTY

<p>产品图 PRODUCT CHART DWG</p> <p>公差一览表 TOLERANCE UNLESS OTHERWISE</p>		<p>深圳市精拓金电子有限公司 Shenzhen Jing Tuo Jin Electronics Co., Ltd.</p>								
X.	±0.35	X.	±5.°	单位	MM	制图	尹先华	制图料号	918-418K2023S40028	
X	±0.25	.X	±2.°	比例	1:1	审核	郭治富	产品名称	TYPE-C3.1简易母座6.85四脚长1.0带弹MD*3LCP黑单排SMT 6PIN	
.XX	±0.20	.XX	±1.°	日期	2021-04-15	核准	黄国荣	角法	版本 VER	
.XXX	±0.10	.XXX	±0.5°	日期	2021-04-15	APPD		角法	版本 VER	