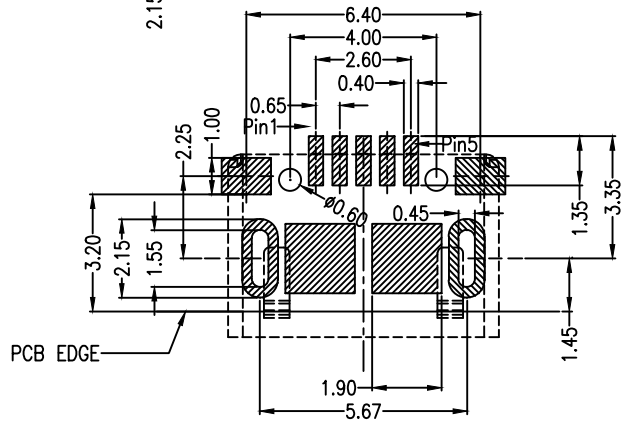
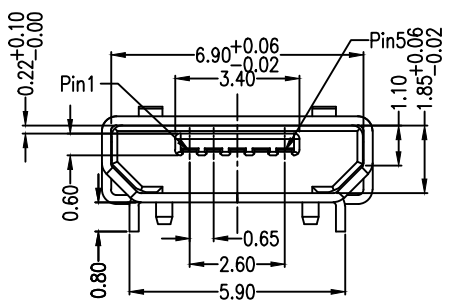
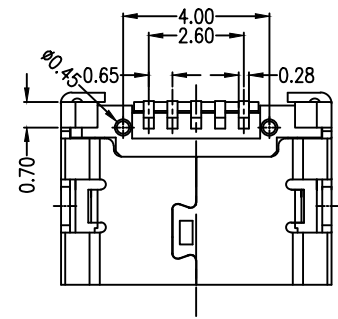
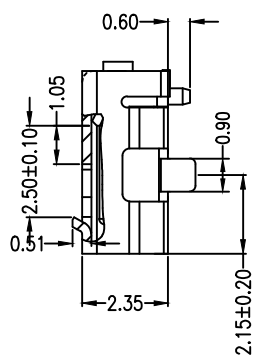
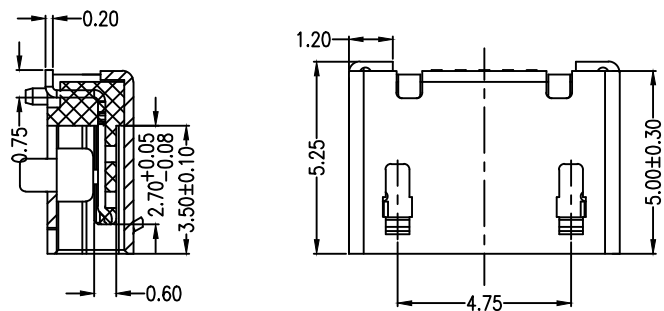
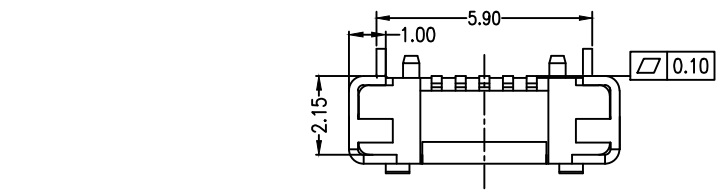


MAPX	MODIFICATION	DATE



RECOMMENDED PCB LAYOUT PCB图仅供参考

Note:

1.Material:

- 1.1 Housing: High temperature thermoplastic with g.f,UL94v-0
- 1.2 Contact: copper alloy,t=0.20mm
- 1.3 Shell: copper alloy,t=0.25mm

2.Specification:

- 2.1 Current rating:1,5PIN 1.8A Max/2,3,4PIN 1A Max.
- 2.2 Dielectric withstanding voltage: 100 V(ac) for 1 min.
- 2.3 Contact resistance: 30 mΩ Max.
- 2.4 Insulation resistance: 100 MΩ Min.
- 2.5 Total mating force: 3.57 Kgf Max.
- 2.6 Total unmating force: 1.0 Kgf Min.
- 2.7 Temperature range: -30°C~80°C

产品图 PRODUCT CHART DWG		深圳市精拓金电子有限公司					
公差一览表 TOLERANCE UNLESS OTHERWISE		单位 UNITS	MM	制图 DRAWING	Gavin	制图料号 PRODUCT PART NO	920-C62A2021S10101
X.	±0.35	X.	±5.°	比例 SCALE	1:1	审核 CHKD	郭治富
.X	±0.30	.X	±2.°	日期 DATE	2016-09-09	核准 APPD	黄国荣
.XX	±0.20	.XX	±1.°	角法 VIEW		版本 VER	AD
.XXX	±0.10	.XXX	±0.5°				

产品名称 MICRO SS B型5.9两脚长0.8插板无边有柱加焊脚SMT短端