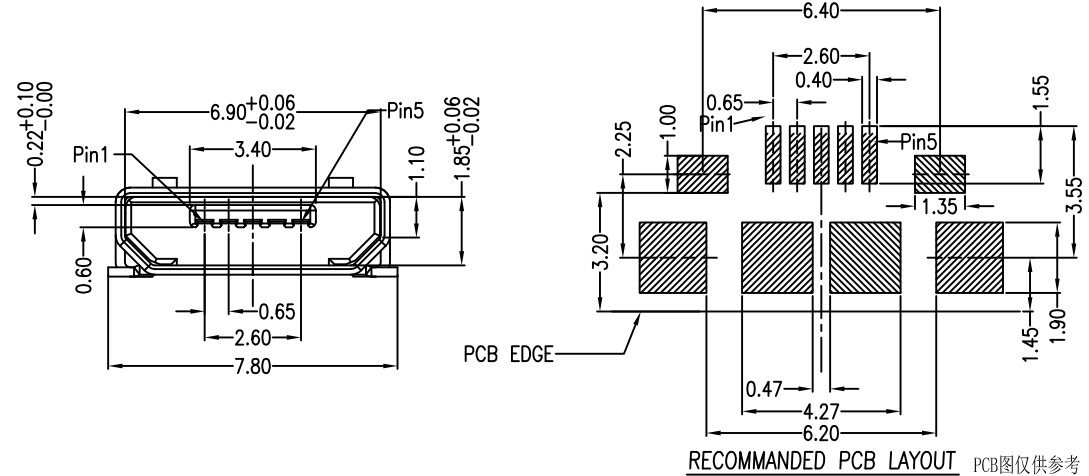
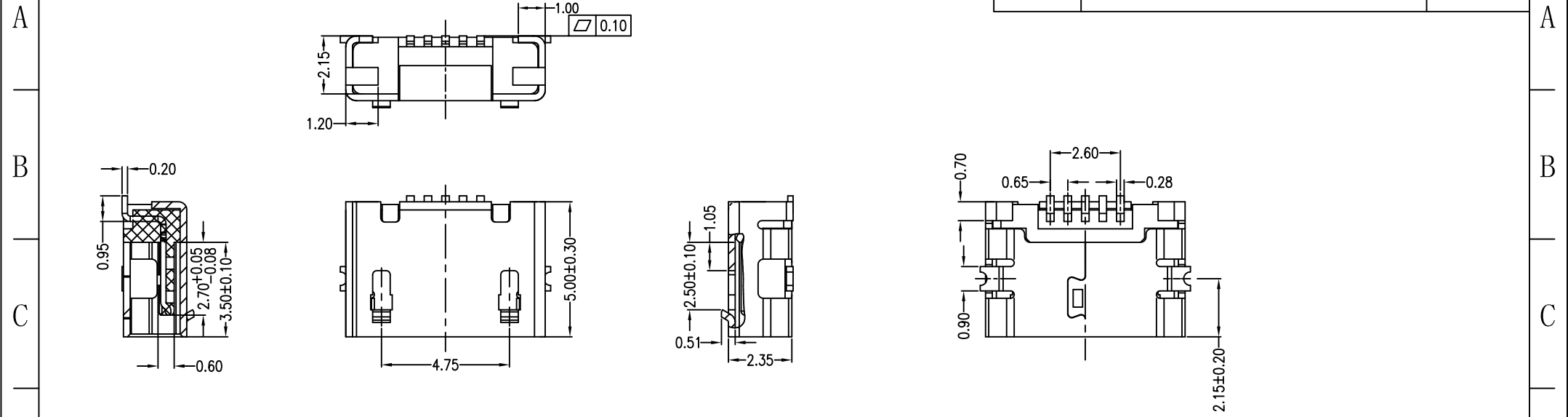


MAPX	MODIFICATION	DATE



Note:

- Material:
  - Housing: High temperature thermoplastic with g.f,UL94v-0
  - Contact: copper alloy,t=0.20mm
  - Shell: copper or sus304,t=0.25mm
- Specification:
  - Current rating:1,5PIN 1.8A Max/2,3,4PIN 1A Max.
  - Dielectric withstanding voltage: 100 V(ac) for 1 min.
  - Contact resistance: 30 mΩ Max.
  - Insulation resistance: 100 MΩ Min.
  - Total mating force: 3.57 Kgf Max.
  - Total unmating force: 1.0 Kgf Min
  - Temperature range: -30°C~80°C

RECOMMENDED PCB LAYOUT PCB图仅供参考

产品图 PRODUCT CHART DWG				深圳市精拓金电子有限公司						
公差一览表 TOLERANCE UNLESS OTHERWISE				单位 UNITS	MM	制图 DRAWING	尹先华	制图料号 PRODUCT PART NO.	920-D62A2021S10104	
X	±0.30	X	±5.°	比例 SCALE	1:1	审核 CHKD	郭治富	产品名称 PRODUCT NO.	MICRO 5P B型两脚贴片无边无柱加焊脚 SMD加长0.2	
.X	±0.25	.X	±2.°	日期 DATE	2021-04-16	核准 APPD	黄国荣	角法 VIEW	版本 VER	AO
.XX	±0.15	.XX	±1.°							
.XXX	±0.10	.XXX	±0.5°							