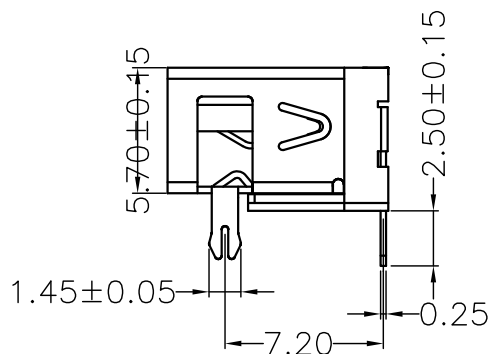
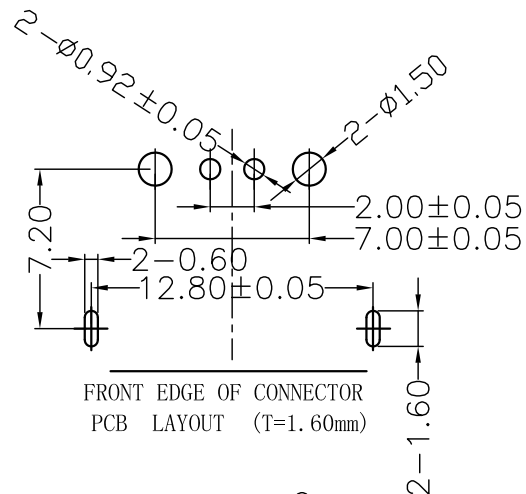
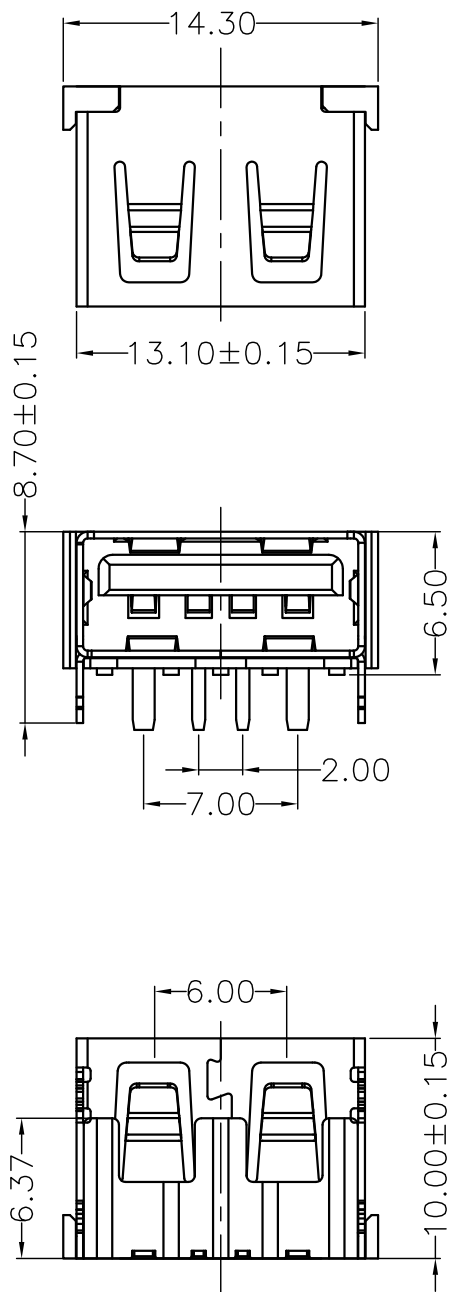


Parts Drawing

REVISIONS

SYM	ECN No.	MODIFICATION	DATE	ISSUED



1	919-162A1052D10400	1	
2		2	
3		3	
4		4	

Note:

1.Material:

- 1.1,Housing: High temperature thermoplastic with/black g.f,UL94v-0
- 1.2,Contact: copper alloy,t=0.25mm
- 1.3,Shell: copper/Ferroalloy alloy,t=0.30mm

2.Specification:

- 2.1,Current rating:1.5A Max.
- 2.2,Dielectric withstanding voltage: 100 V(ac) for 1 min.
- 2.3,Contact resistance: 30 mΩ Max.
- 2.4,Insulation resistance: 100 MΩ Min.
- 2.5,Total mating force: 3.57 Kg Max.
- 2.6,Total unmating force: 1.0 Kg Min.

3.Finish:

- 3.1,Contact: Plated Golt in Mating Area: Tin On Solder Talls
- Shell: Nickel Plating

4.Environmental:

- 4.1,Temperature range: -55°C~85°C

PART ON:

918-15XAXXXDXXX

- 电镀规格: 11, 镀金1u" 13, 镀金3u" 15, 镀金15u" 16, 镀金30u"
- 端子材质: 1, 青铜 2, 磷铜
- 端子规格: D, 90度 Y, 180度 S, SMT贴板
- 塑胶形态: 2, 6.5有耳 7, 6.5无耳
- 塑胶颜色: 01, 白色 02, 黑色 03, 本色
- 塑胶材质: 1, PBT 2, LCP 3, PA9T 4, PPA 5, PA6T
- 对插方向: A, 正向 B, 反向
- 外壳材质: 1, 铁壳 2, 铜壳
- 插口类型: 5, 有边 6, 无边
- 外壳脚型: 1, 前两脚 2, 后两脚 3, 四脚 4, 无脚
- 类别: E款

DRAWN		jt 深圳市精拓金电子有限公司			
CHECKED		TITLE		PART NO.	
APPROVED		AF10. 0D款大电流前两脚无边铜壳PBT蓝色DIP-H6. 5		919-162A1052D10400	
UNIT		TOLERANCE		DRAWING NO.	
mm		.XXX±.10, .XX±.25, .X±.38, ANG±5°		R918161A1017D211	
3rd ANGLE PROJECTION		SCALE	SHEET	SIZE	REV.
		1:1	1 OF 1	A4	X1