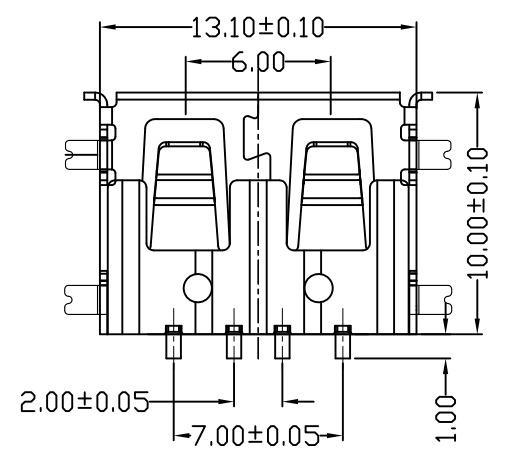
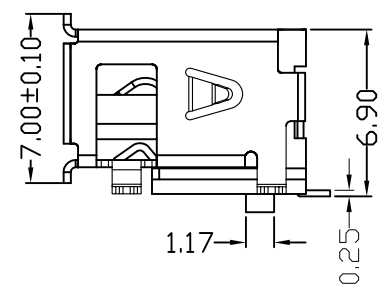
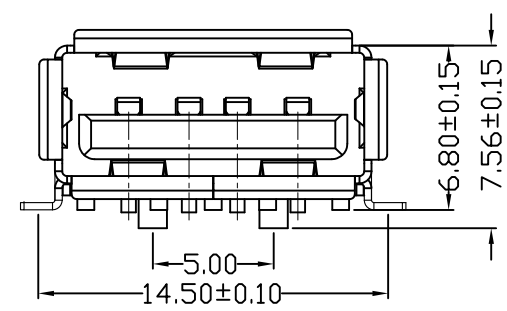
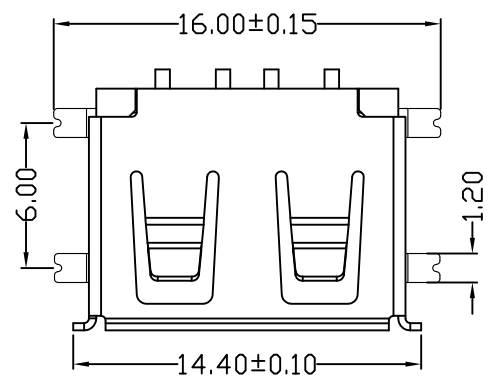


|      |              |      |
|------|--------------|------|
| MAPX | MODIFICATION | DATE |
|      |              |      |



NOTES:

- 1.HOUSING: SEE NOTES, UL94V-0 .
- TERMINAL: SEE NOTES.
- SHELL: SEE NOTES.

SPECIFICATION:

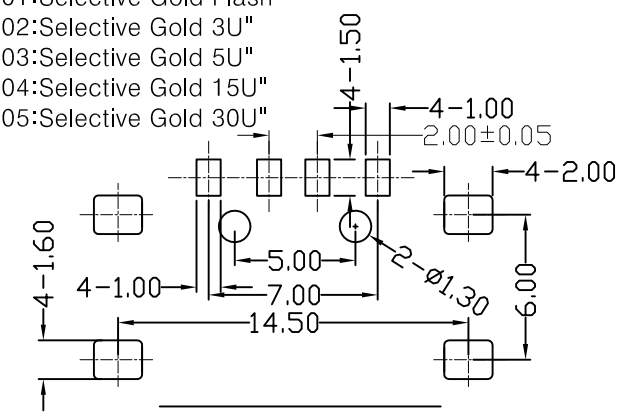
- 1.ELECTRICAL CHARACTERISTIC:
  - CONTACT RESISTANCE: 30MΩ MAX
  - DIELECTRIC WITHSTANDING VOLTAGE: 500V AC FOR 1MIN
  - INSULATION RESISTANCE: 1000MΩ MIN
- 2.MECHANICAL CHARACTERISTIC:
  - INSERTION FORCE: 35N(3.57KGF) MAX
  - EXTRACTION FORCE: 10~35N(1.02~3.57KGF)MIN
  - DURABILITY: 1500 CYCLES EXTRACTION FORCE:10~35N 5000 CYCLES MIN
  - 5000 CYCLES EXTRACTION FORCE:3~35N

3.ENVIRONMENTAL:

OPERATING TEMPERATURE: -55°C+85°C

4.Contact finish:

- 01:Selective Gold Flash
- 02:Selective Gold 3U"
- 03:Selective Gold 5U"
- 04:Selective Gold 15U"
- 05:Selective Gold 30U"



FRONT EDGE OF CONNECTOR  
PCB LAYOUT

|                                     |       |              |       |               |            |                          |                               |    |  |
|-------------------------------------|-------|--------------|-------|---------------|------------|--------------------------|-------------------------------|----|--|
| 产品图<br>PRODUCT CHART DWG            |       | 深圳市精拓金电子有限公司 |       |               |            |                          |                               |    |  |
| 公差一览表<br>TOLERANCE UNLESS OTHERWISE |       | 单位<br>UNITS  | MM    | 制图<br>DRAWING | Z-Y-B      | 制图料号<br>PRODUCT PART NO. | 915-112B2028S10101            |    |  |
| X.                                  | ±0.25 | X.           | ±5.°  | 比例<br>SCALE   | 1:1        | 产品名称<br>PRODUCT NAME     | AF10.0短体四脚全贴有边方弹壳反向LCP黑胶6.8有柱 |    |  |
| .X                                  | ±0.20 | .X           | ±2.°  | 日期<br>DATE    | 2013.04.24 | 角法<br>VIEW               | 版本<br>VER                     | AD |  |
| .XX                                 | ±0.15 | .XX          | ±1.°  | 核准<br>APPD    |            |                          |                               |    |  |
| .XXX                                | ±0.10 | .XXX         | ±0.5° |               |            |                          |                               |    |  |