

MAPX	MODIFICATION	DATE

NOTES:

- 1.HOUSING: SEE NOTES,
- TERMINAL: SEE NOTES.
- SHELL: SEE NOTES.

SPECIFICATION:

- 1.ELECTRICAL CHARACTERISTIC:
 - CONTACT RESISTANCE: 30mΩ MAX
 - DIELECTRIC WITHSTANDING VOLTAGE: 500V AC FOR 1MIN
 - INSULATION RESISTANCE: 1000MΩ MIN
- 2.MECHANICAL CHARACTERISTIC:
 - INSERTION FORCE: 35N(3.57KGF) MAX
 - EXTRACTION FORCE: 10~35N(1.02~3.57KGF)MIN
 - DURABILITY: 1500 CYCLES EXTRACTION FORCE:10~35N
5000 CYCLES MIN
5000 CYCLES EXTRACTION

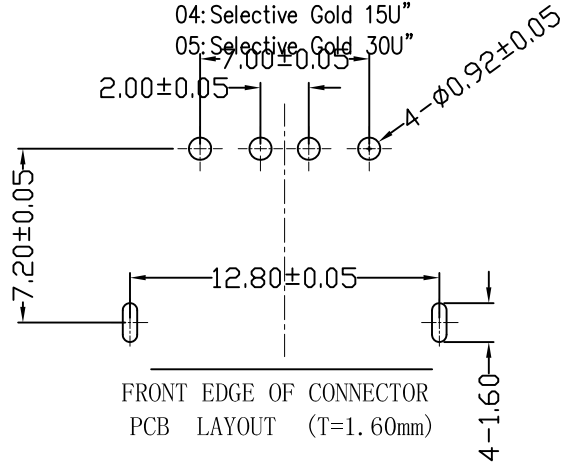
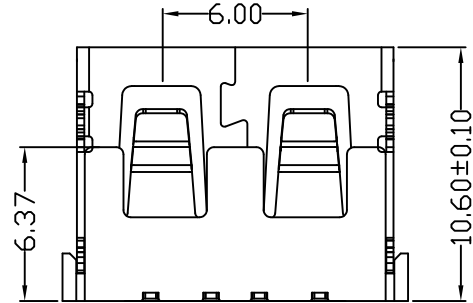
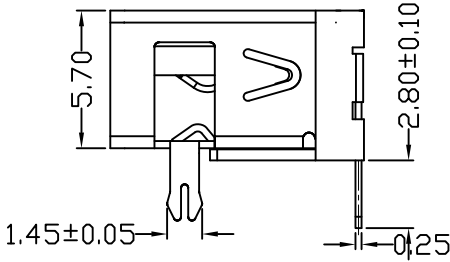
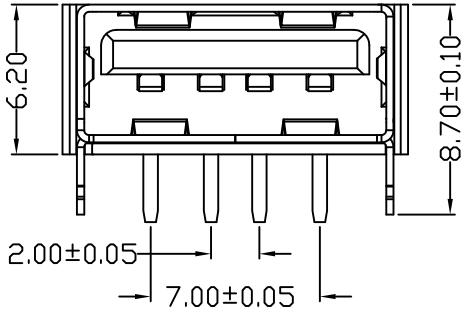
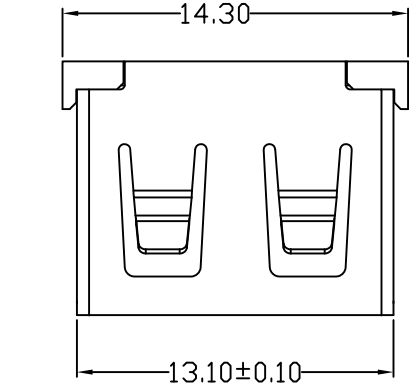
FORCE: 3~35N

3.ENVIRONMENTAL:

OPERATING TEMPERATURE: -55°C+85°C

4.Contact finish:

- 01: Selective Gold Flash
- 02: Selective Gold 3U"
- 03: Selective Gold 5U"
- 04: Selective Gold 15U"
- 05: Selective Gold 30U"



FRONT EDGE OF CONNECTOR
PCB LAYOUT (T=1.60mm)

<p>产品图 PRODUCT CHART DWG</p> <p>公差一览表 TOLERANCE UNLESS OTHERWISE</p>				<p>深圳市精拓金电子有限公司</p>							
X.	±0.25	X.	±5.°	单位	MM	制图	Z-Y-B	制图料号	912-121A2021D10100		
.X	±0.20	.X	±2.°	比例	1:1	审核		产品名称	AF10. 6D款前两脚无边方弹铁壳 LCP黑胶6. 2DIP		
.XX	±0.15	.XX	±1.°	日期	2012.09.24	核准		角法	版本	AD	
.XXX	±0.10	.XXX	±0.5°	DATE		APPD		VIEW	VER		