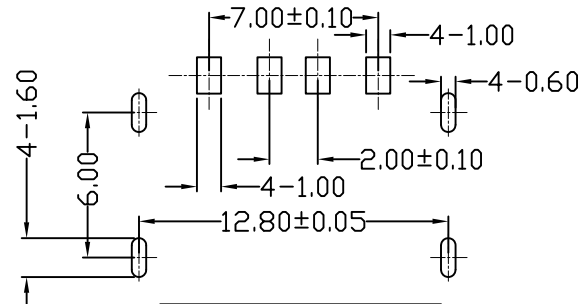
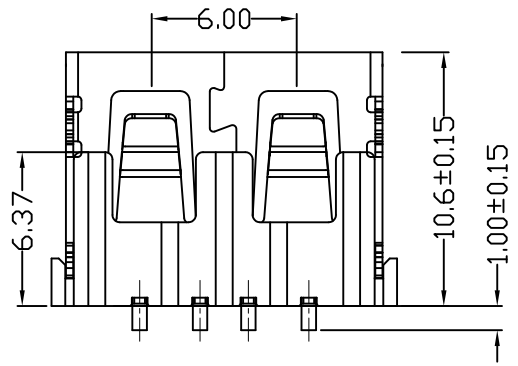
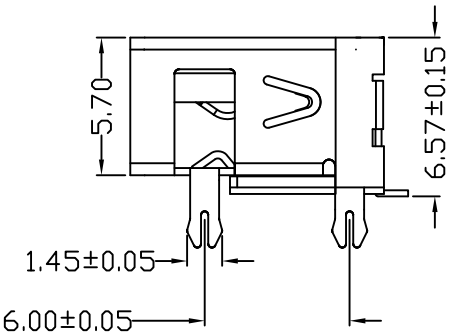
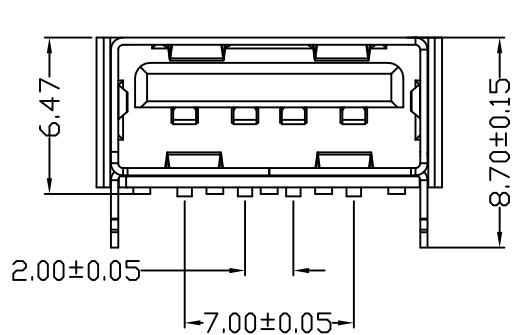
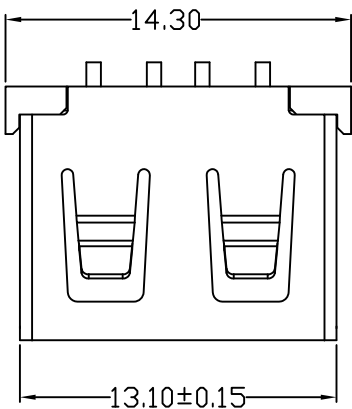


D款, 正向10.6四脚, SMT-*6.50

MAPX	MODIFICATION	DATE



NOTES:
 1.HOUSING: SEE NOTES,
 TERMINAL: SEE NOTES.
 SHELL: SEE NOTES.

SPECIFICATION:
 1.ELECTRICAL CHARACTERISTIC:
 CONTACT RESISTANCE: 30mΩ MAX
 DIELECTRIC WITHSTANDING VOLTAGE: 500V AC FOR 1MIN
 INSULATION RESISTANCE: 1000MΩ MIN
 2.MECHANICAL CHARACTERISTIC:
 INSERTION FORCE: 35N(3.57KGF) MAX
 EXTRACTION FORCE: 10~35N(1.02~3.57KGF)MIN
 DURABILITY: 1500 CYCLES EXTRACTION FORCE:10~35N
 5000 CYCLES MIN
 5000 CYCLES EXTRACTION
 FORCE: 3~35N

3.ENVIRONMENTAL:
 OPERATING TEMPERATURE: -55°C+85°C

4.Contact finish:
 01: Selective Gold Flash
 02: Selective Gold 3U"
 03: Selective Gold 5U"
 04: Selective Gold 15U"
 05: Selective Gold 30U"

FRONT EDGE OF CONNECTOR
 PCB LAYOUT (T=1.60mm)

产品图 PRODUCT CHART DWG 公差一览表 TOLERANCE UNLESS OTHERWISE				深圳市精拓金电子有限公司						
X.	±0.25	X.	±5.°	单位	MM	制图	Z-Y-B	制图料号	912-321A2032S10100	
.X	±0.20	.X	±2.°	比例	1:1	审核		产品名称	AF10.6D款四脚无边方弹铁壳	
.XX	±0.15	.XX	±1.°	日期	2012.09.24	核准		角法	LCP本色6.5SMT	
.XXX	±0.10	.XXX	±0.5°	日期		APPD		版本	AD	