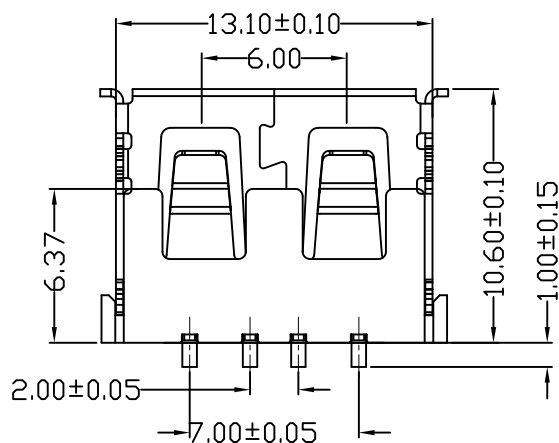
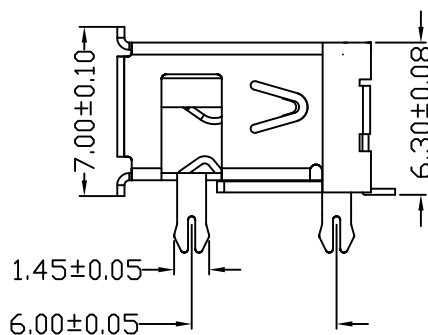
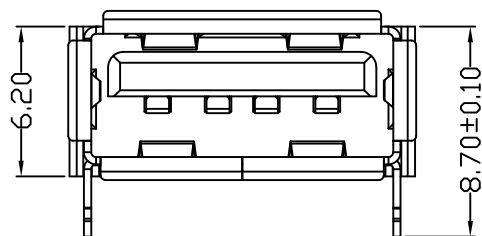
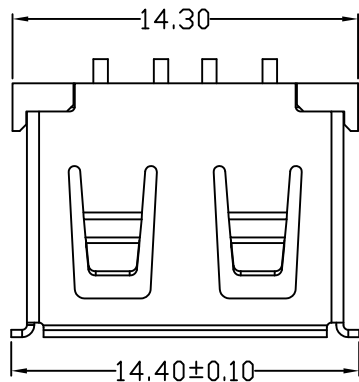


# D款, 正向10.6四脚, SMT-\*6.20

MAPX	MODIFICATION	DATE



### NOTES:

- 1.HOUSING: SEE NOTES,
- TERMINAL: SEE NOTES.
- SHELL: SEE NOTES.

### SPECIFICATION:

- 1.ELECTRICAL CHARACTERISTIC:
  - CONTACT RESISTANCE: 30mΩ MAX
  - DIELECTRIC WITHSTANDING VOLTAGE: 500V AC FOR 1MIN
  - INSULATION RESISTANCE: 1000MΩ MIN
- 2.MECHANICAL CHARACTERISTIC:
  - INSERTION FORCE: 35N(3.57KGF) MAX
  - EXTRACTION FORCE: 10~35N(1.02~3.57KGF)MIN
  - DURABILITY: 1500 CYCLES EXTRACTION FORCE:10~35N  
5000 CYCLES MIN  
5000 CYCLES EXTRACTION

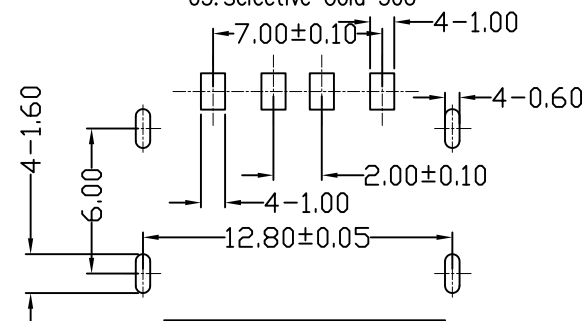
FORCE: 3~35N

### 3.ENVIRONMENTAL:

OPERATING TEMPERATURE: -55°C+85°C

### 4.Contact finish:

- 01: Selective Gold Flash
- 02: Selective Gold 3U"
- 03: Selective Gold 5U"
- 04: Selective Gold 15U"
- 05: Selective Gold 30U"



FRONT EDGE OF CONNECTOR  
PCB LAYOUT (T=1.60mm)

<b>产品图</b> PRODUCT CHART DWG		<b>深圳市精拓金电子有限公司</b>					
公差一览表 TOLERANCE UNLESS OTHERWISE		单位 UNITS	MM	制图 DRAWING	Z-Y-B	制图料号 PRODUCT PART NO.	912-312A2021S10100
X.	±0.25	X.	±5°	比例 SCALE	1:1	产品名称 PRODUCT NAME	AF10.6D款四脚有边方弹铜壳 LCP黑胶6.2SMT
.X	±0.20	.X	±2°	日期 DATE	2012.09.24	角法 VIEW	版本 VER
.XX	±0.15	.XX	±1°	核准 APPD			AD
.XXX	±0.10	.XXX	±0.5°				