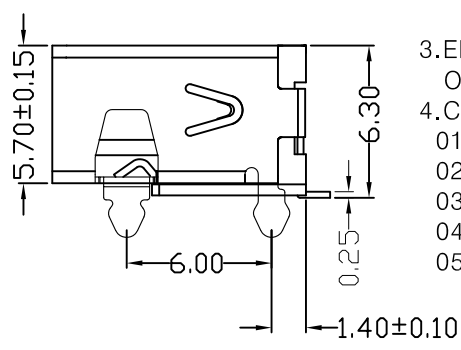
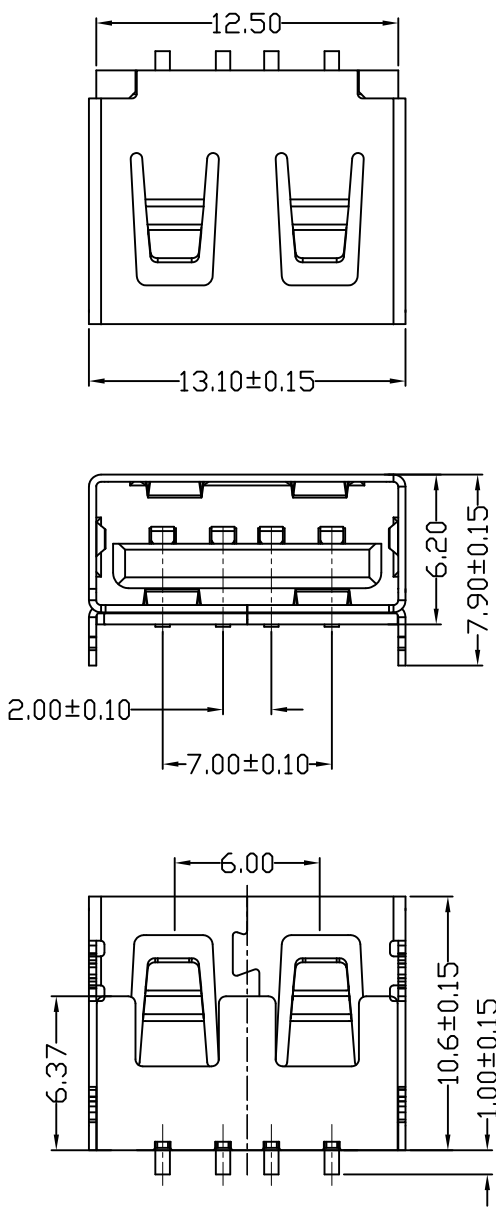
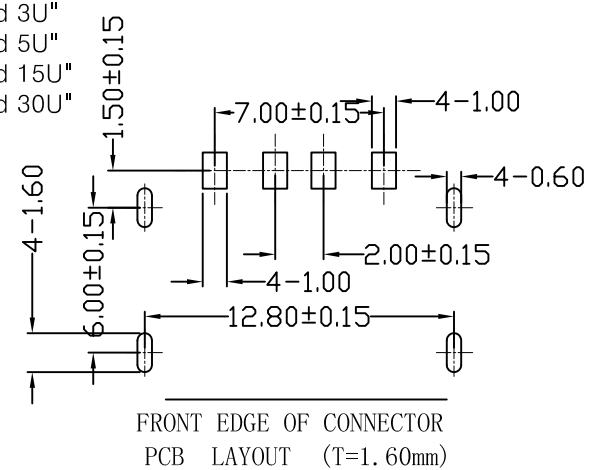


# E款, 反向10.6四脚, SMT-\*6.20

MAPX	MODIFICATION	DATE



- NOTES:
- HOUSING: SEE NOTES, UL94V-0 .  
TERMINAL: SEE NOTES.  
SHELL: SEE NOTES.
- SPECIFICATION:
- ELECTRICAL CHARACTERISTIC:
    - CONTACT RESISTANCE: 30MΩ MAX
    - DIELECTRIC WITHSTANDING VOLTAGE: 500V AC FOR 1MIN
    - INSULATION RESISTANCE: 1000MΩ MIN
  - MECHANICAL CHARACTERISTIC:
    - INSERTION FORCE: 35N(3.57KGF) MAX
    - EXTRACTION FORCE: 10~35N(1.02~3.57KGF)MIN
    - DURABILITY: 1500 CYCLES EXTRACTION FORCE:10~35N  
5000 CYCLES MIN
    - 5000 CYCLES EXTRACTION FORCE:3~35N
  - ENVIRONMENTAL:
    - OPERATING TEMPERATURE: -55℃+85℃
  - Contact finish:
    - 01:Selective Gold Flash
    - 02:Selective Gold 3U"
    - 03:Selective Gold 5U"
    - 04:Selective Gold 15U"
    - 05:Selective Gold 30U"



产品图 PRODUCT CHART DWG				深圳市精拓金电子有限公司						
公差一览表 TOLERANCE UNLESS OTHERWISE				单位 UNITS	MM	制图 DRAWING	Z-Y-B	制图料号 PRODUCT PART NO.	913-362B2021S10200	
X.	±0.25	X.	±5.°	比例 SCALE	1:1	审核 CHKD		产品名称 PRODUCT NAME	AF10.6E款四脚无边方弹铜壳反向 LCP黑胶6.2SMT	
.X	±0.20	.X	±2.°	日期 DATE	2014.03.24	核准 APPD		角法 VIEW	版本 VER	AD
.XX	±0.15	.XX	±1.°							
.XXX	±0.10	.XXX	±0.5.°							