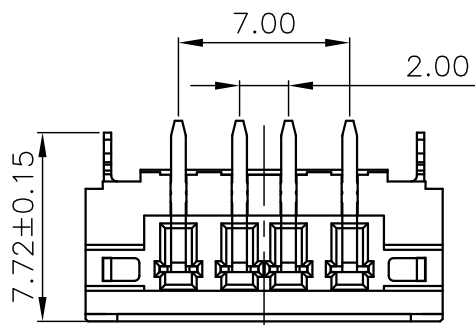
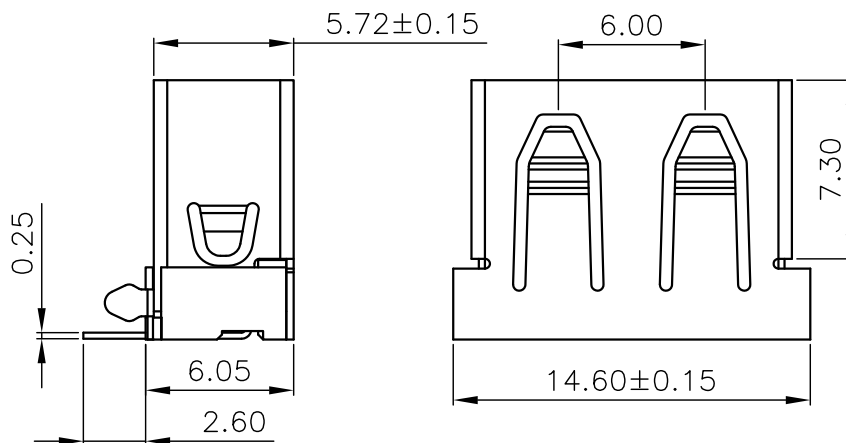
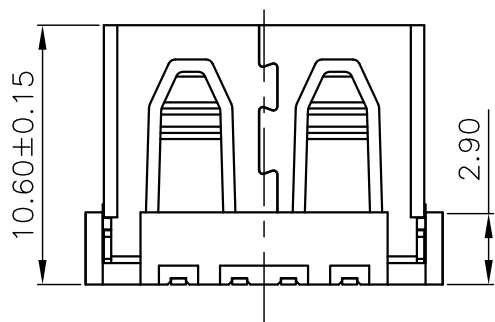
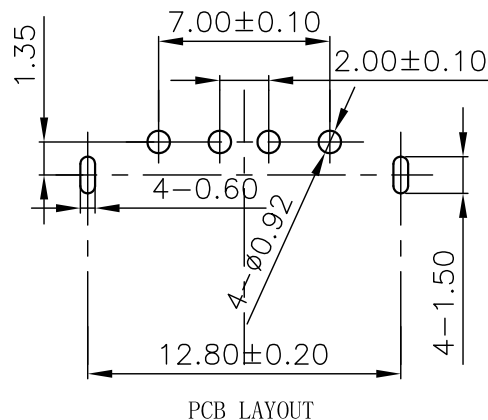
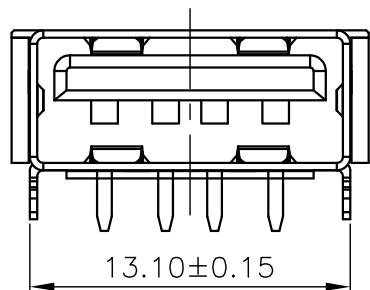


SYM	ECN No.	MODIFICATION	DATE	ISSUED



1	914-821A1011D10201
2	
3	
4	

Note:

1.Material:

- 1.1,Housing: High temperature thermoplastic with/black G/F,UL94v-0
- 1.2,Contact: copper alloy,t=0.25mm
- 1.3,Shell: copper/Ferroalloy alloy,t=0.30mm

2.Specification:

- 2.1,Current rating:1.5A Max.
- 2.2,Dielectric withstanding voltage: 100 V(ac) for 1 min.
- 2.3,Contact resistance: 30 mΩ Max.
- 2.4,Insulation resistance: 100 MΩ Min.
- 2.5,Total mating force: 3.57 Kg Max.
- 2.6,Total unmating force: 1.0 Kg Min.

3.Finish:

- 3.1,Contact: Plated Golt in Mating Area: Tin On Solder Talls
- Shell: Nickel Plating

4.Environmental:

- 4.1,Temperature range: -55°C~85°C

PART ON:

914-34XAXXX1D1XX

- 电镀规格: 02, 镀金1u" 04, 镀金3u" 07, 镀金15u" 08, 镀金30u"
- 端子材质: 1, 青铜 2, 磷铜
- 端子规格: D, 90度 Y, 180度 S, SMT贴板
- 塑胶型态: 1, 苹果款 2, 苹果款打码
- 塑胶颜色: 01, 白色 02, 黑色 03, 本色
- 塑胶材质: 1, PBT 2, LCP 3, PA9T 4, PPA 5, PA6T
- 对插方向: A, 正向
- 外壳材质: 1, 铁壳 2, 铜壳
- 插口类型: 2, 无边方弹 4, 无边尖弹 8, 无边底无弹 9, 无边大小弹
- 外壳脚型: 1, 10.0两脚鱼叉 2, 10.6两脚鱼叉 3, 前两脚锥形 4, 四脚锥形 5, 前两脚贴板
- 类别: 苹果款

DRAWN		jt 深圳市精拓金电子有限公司			
CHECKED		TITLE	PART NO.		
APPROVED		AF10.6苹果款后两脚尖弹铁壳 PBT白偏蓝DIP	914-821A1011D10201		
		TOLERANCE	DRAWING NO.		
		.XXX±.10, .XX±.20, .X±.25, ANG±5°	R914341A1011D102		
UNIT	mm	SCALE	SHEET	SIZE	REV.
		1:1	1 OF 1	A4	X1