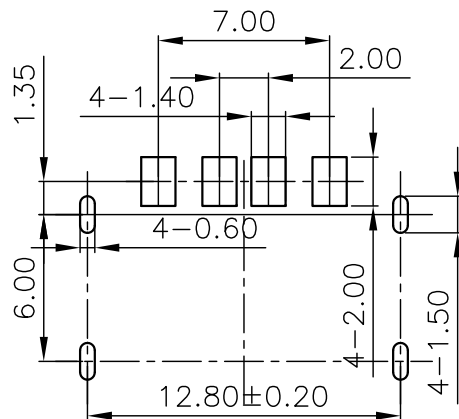
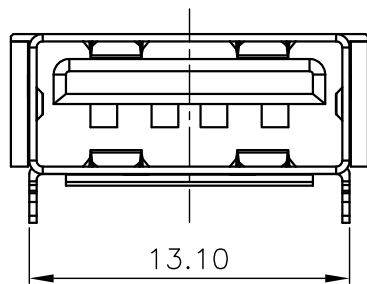
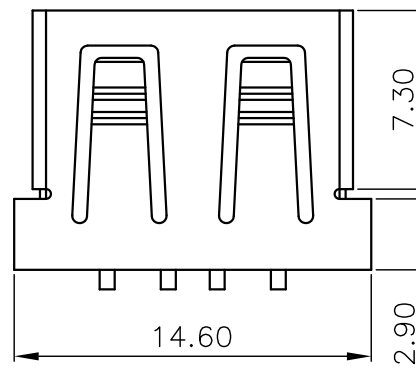
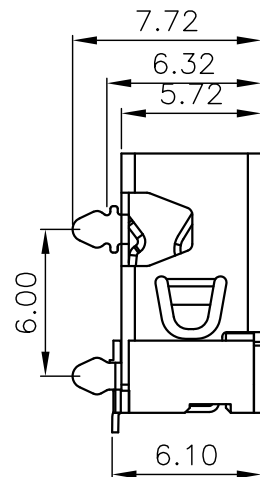
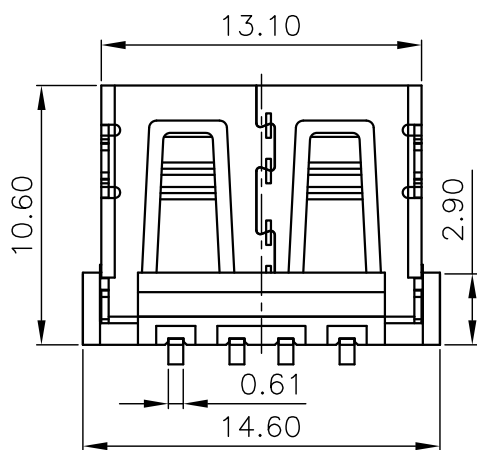


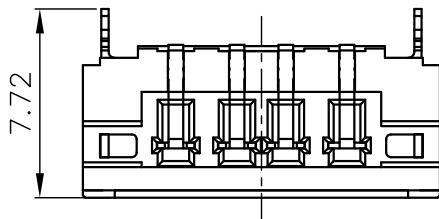
SYM	ECN No.	MODIFICATION	DATE	ISSUED



PCB LAYOUT



1	914-421A2031S10200
2	
3	
4	



Note:

1.Material:

- 1.1,Housing: High temperature thermoplastic with/black G/F,UL94v-0
- 1.2,Contact: copper alloy,t=0.25mm
- 1.3,Shell: copper/Ferroalloy alloy,t=0.30mm

2.Specification:

- 2.1,Current rating:1.5A Max.
- 2.2,Dielectric withstanding voltage: 100 V(ac) for 1 min.
- 2.3,Contact resistance: 30 mΩ Max.
- 2.4,Insulation resistance: 100 MΩ Min.
- 2.5,Total mating force: 3.57 Kgf Max.
- 2.6,Total unmating force: 1.0 Kgf Min.

3.Finish:

- 3.1,Contact: Plated Golt in Mating Area:  
Tin On Solder Talls
- Shell: Nickel Plating

4.Environmental:

- 4.1,Temperature range: -55°C~85°C

PART ON:

914-42XAXXX1S1XX

- 电镀规格: 02, 镀金1u" 04, 镀金3u" 07, 镀金15u" 08, 镀金30u"
- 端子材质: 1, 青铜 2, 磷铜
- 端子规格: D, 90度 Y, 180度 S, SMT贴板
- 塑胶型态: 1, 苹果款 2, 苹果款打码
- 塑胶颜色: 01, 白色 02, 黑色 03, 本色
- 塑胶材质: 1, PBT 2, LCP 3, PA9T 4, PPA 5, PA6T
- 对插方向: A, 正向
- 外壳材质: 1, 铁壳 2, 铜壳
- 插口类型: 2, 无边方弹 4, 无边尖弹 8, 无边底无弹 9, 无边大小弹
- 外壳脚型: 1, 10.0两脚鱼叉 2, 10.6两脚鱼叉 3, 前两脚锥形 4, 四脚锥形 5, 前两脚贴板
- 类别: 苹果款

DRAWN

**jt** 深圳市精拓金电子有限公司

CHECKED

TITLE  
AF10.6苹果款四脚方弹铁壳

PART NO.

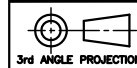
914-421A2031S10200

APPROVED

LCP本色SMT

DRAWING NO.

R914421A1011S102



UNIT  
mm

TOLERANCE  
.XXX±.10, .XX±.20, .X±.25, ANG±5°

SCALE  
1:1

SHEET  
1 OF 1

SIZE  
A4

REV.  
X1