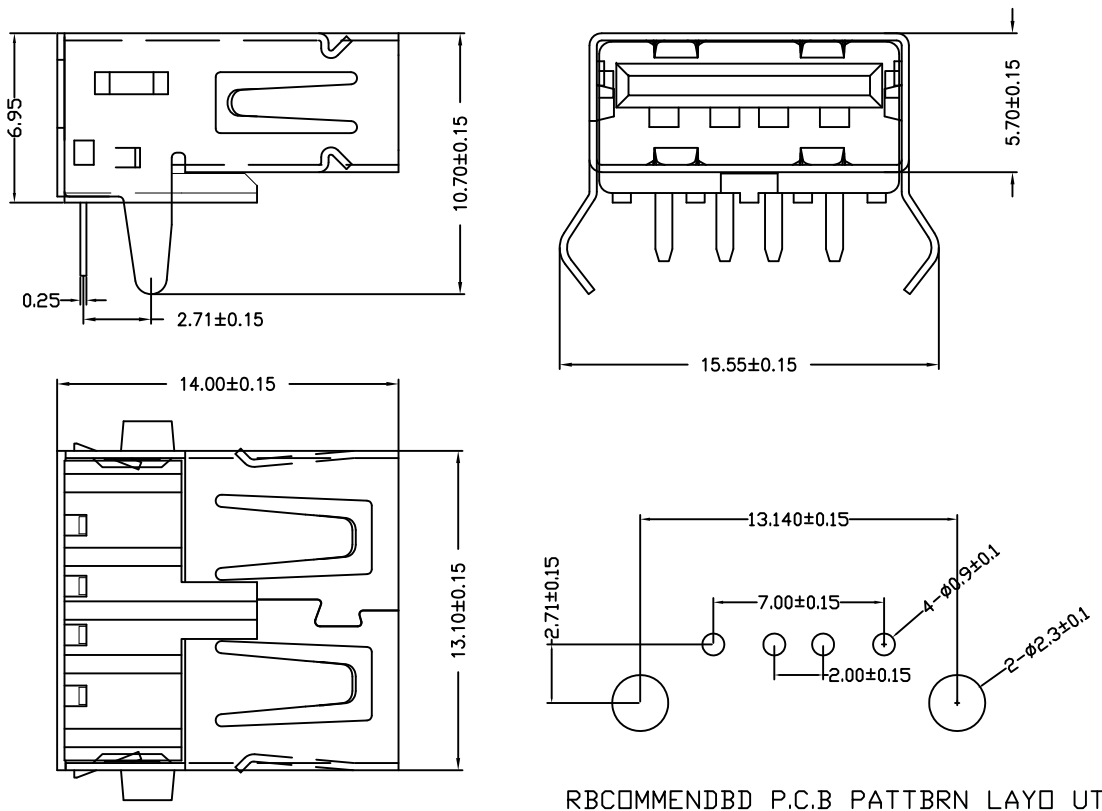


目錄 MAPX	設變內容 MODIFICATION	日期 DATE



RBCOMMENDBD P.C.B PATTBRN LAYD UT

备注：侧弹分为外弹与内弹

NOTES:
Housing: Thermoplastics,UL94V-0
Contact: Copper Alloy
Shell: Copper Alloy/Steel
Voltage Current Rating:1.5 AMP. 30V AC
Insulation Resistance:1000MΩ Min.
Contact Resistance:30 MΩ Max.
Dielectric Withstanding Voltage:500W AC
Temperature Range:-35°C to +85°C
Insulator color: Black/White
Plastic material:PBT/LCP/Others
Shell finish:Nickel plated/Tin-Lead plated
Mechanical:
Mating Force:3.5KG MAX
Unmating Force:0.7 KG MIN.
Contact finish:
01:Selective Gold Flash
02:Selective Gold 3U”
03:Selective Gold 5U”
04:Selective Gold 15U”
05:Selective Gold 30U”

产品图 PRODUCT CHART DWG		深圳市精拓金电子有限公司					
公差一览表 TOLERANCE UNLESS OTHERWISE		单位 UNITS	MM	制图 DRAWING	Z-Y-B	产品料号 PRODUCT PART NO.	902-142A1011D10100
X.	±0.25	X'	±5'	比例 SCALE	审核 CHKD	产品名称 PRODUCT NO.	AF90度内扣弯脚无边内弹 铜壳T型PBT白胶
.X	±0.20	.X'	±2'				
.XX	±0.15	.XX'	±1'	日期 DATE	核准 APPD	角法 VIEW	版本 VER
.XXX	±0.10	.XXX'	±0.5'				
		2009/10/20		雷永键	雷永键	⊕	A0