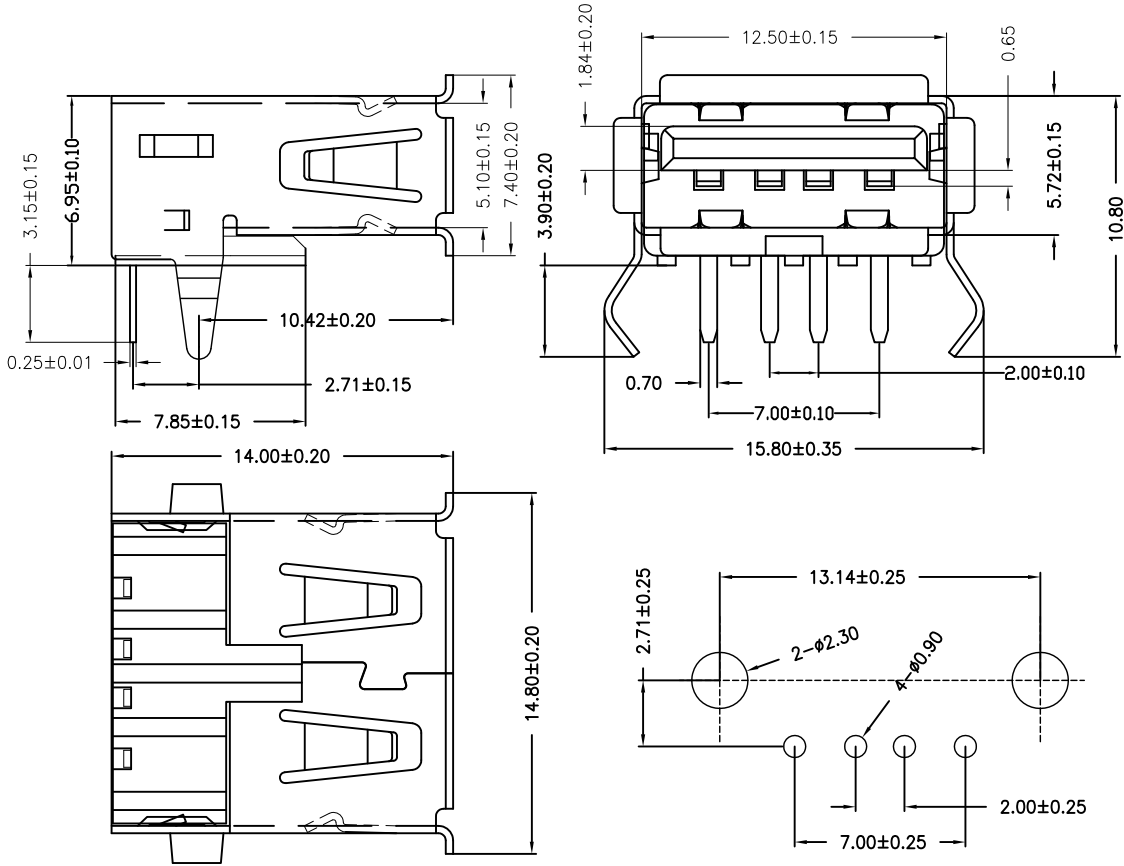


1 2 3 4 5 6 7 8 9 10

目錄 MAPX	設變內容 MODIFICATION	日期 DATE

A
B
C
D
E
F
G



NOTE:

- Material:
 - Housing: Thermoplastics, UL94V-0 (ROHS, HF)
 - Contact: Phosphor Bronze C5191-EH/C2680-EH, T=0.25mm
 - Shell: COPPER ALLOY T=0.30mm
- FINISH:
 - Contact: 15u" Gold Plated on Contact Area, 80u" Min. Tin Plated on Solder Area, 50u" Min. Nickel Underplating Over All.
 - Shell: 50u" Min. Nickel Underplating Over All.
- Specification:
 - Rating:
 - Rated voltage 500V AC/DC. Rated current: 2 A Max.
 - Electrical:
 - Insulation Resistance (EIA-364-21): 1000MΩ Min. at 500V/DC for 1Minute.
 - Contact Resistance (EIA-364-23): 30 mΩ Max. at 20mV Max, 50mA
 - Dielectric Withstanding Voltage (EIA-364-20): No discharge, flashover or breakdown at 500V/AC 1Minute
- Plug extraction force shall be between 1.0kgf and 2.00kgf
- Contact finish:
 - 01: Selective Gold Flash
 - 02: Selective Gold 1U"
 - 03: Selective Gold 3U"
 - 04: Selective Gold 5U"
 - 05: Selective Gold 15U"
 - 06: Selective Gold 30U"

PCB LAYOUT

产品图
PRODUCT CHART DWG

深圳市精拓金电子有限公司

公差一览表 TOLERANCE UNLESS OTHERWISE				单位 UNITS	MM	制图 DRAWING	Z-Y-B	产品料号 PRODUCT PART NO.	903-131A1021D10110		
X.	±0.25	X'	±5'	比例 SCALE	1:1	审核 CHKD	日期 DATE	产品名称 PRODUCT NO.	AF90度无后盖弯脚有边内弹14.0 铁壳T型PBT防火黑胶94V0端3.15正摆		
.X	±0.20	.X'	±2'								
.XX	±0.15	.XX'	±1'								
.XXX	±0.10	.XXX'	±0.5'	核准 APPD	2015.03.14	角法 VIEW	版本 VER	A0			

1 2 3 4 5 6 7 8 9 10