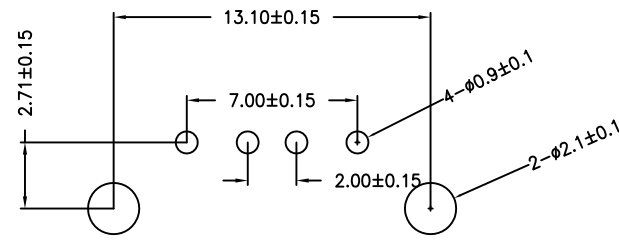
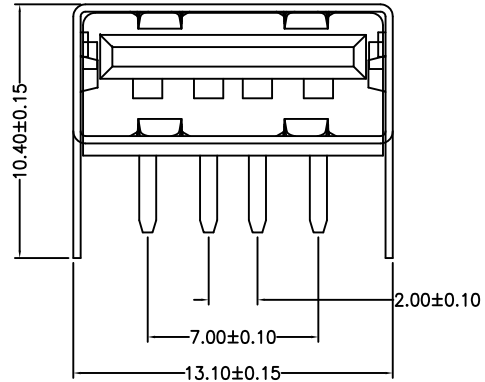
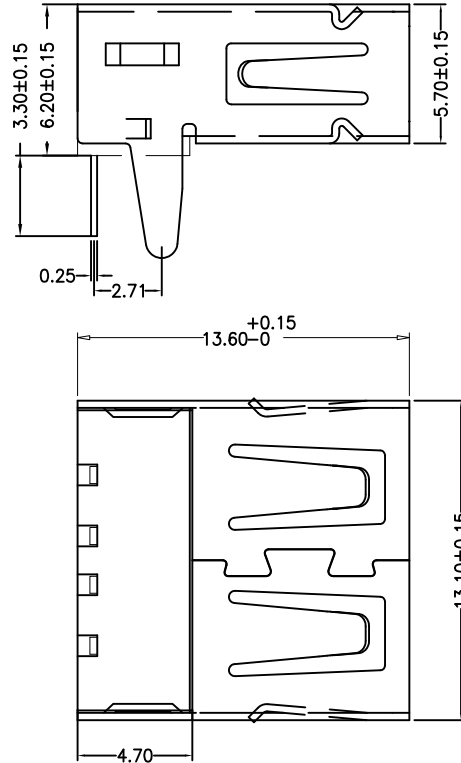


A/F无后盖无边直脚/DIP (5.85)

目錄 MAPX	设变内容 MODIFICATION	日期 DATE



RBCOMMENDBD P.C.B PATTBRN LAYD UT

备注：侧弹分为外弹与内弹

- NOTES:
- Housing: Thermoplastics,UL94V-0
 - Contact: Copper Alloy
 - Shell: Copper Alloy/Steel
 - Voltage Current Rating:1.5 AMP. 30V AC
 - Insulation Resistance:1000MΩ Min.
 - Contact Resistance: 30 MΩ Max.
 - Dielectric Withstanding Voltage:500V AC
 - Temperature Range:-35°C to +85°C
 - Insulator color: Black/White
 - Plastic material:PBT/LCP/Others
 - Shell finish:Nickel plated/Tin-Lead plated
 - Mechanical:
 - Mating Force: 3.5KG MAX
 - Unmating Force:0.7 KG MIN.
 - Contact finish:
 - 01: Selective Gold Flash
 - 02: Selective Gold 3U"
 - 03: Selective Gold 5U"
 - 04: Selective Gold 15U"
 - 05: Selective Gold 30U"

产品图 PRODUCT CHART DWG				深圳市精拓金电子有限公司							
公差一览表 TOLERANCE UNLESS OTHERWISE				单位 UNITS	MM	制图 DRAWING	Z-Y-B	产品料号 PRODUCT PART NO.	903-242A1014D10100		
X.	±0.35	X'	±5'	比例 SCALE	1:1	审核 CHKD	雷永键	产品名称 PRODUCT NO.	AF90度无后盖直脚无边内弹改模后铜壳一型5.85PBT白胶 高6.2		
.X	±0.25	.X'	±2'						日期 DATE	2014/05/24	核准 APPD
.XX	±0.15	.XX'	±1'								
.XXX	±0.10	.XXX'	±0.5'								